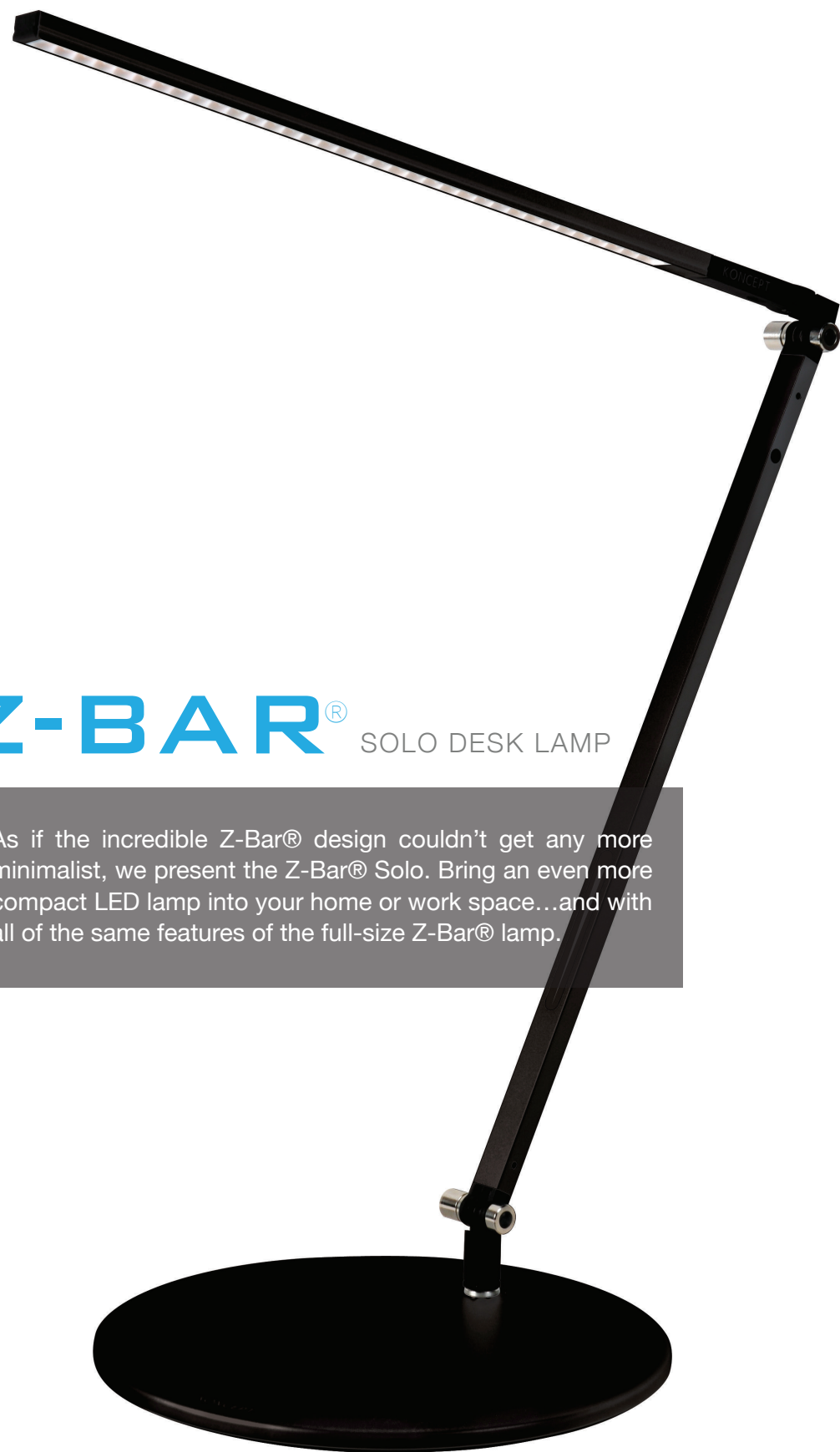


KONCEPT

Z-BAR® SOLO DESK LAMP

As if the incredible Z-Bar® design couldn't get any more minimalist, we present the Z-Bar® Solo. Bring an even more compact LED lamp into your home or work space...and with all of the same features of the full-size Z-Bar® lamp.

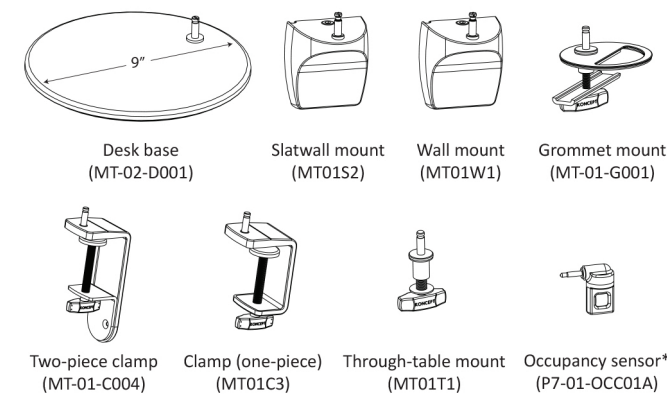
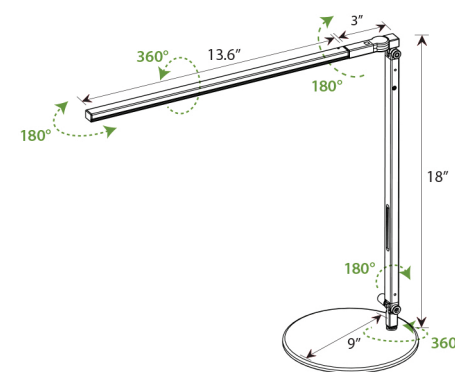


Lumens:	400
Energy Consumption:	8.5 watts
Number of LEDs:	35 LEDs
LED Rated Lifespan:	50,000 hours
Color Temperature (Typical) – Cool:	4,500 K
Color Temperature (Typical) – Warm:	3,500 K
Color Rendering Index (CRI):	85
Dimmer:	Built-in touchstrip
Brightness Adjustability:	Multiple dimming levels
Standard Color Finish*:	Metallic Black, Silver
Material:	Aluminum/Plastic
Cord Color:	Black
Cord Length:	10'
Transformer (100–240 V; 50/60 Hz):	Included – C-UL-US Certified

*Custom colors are available at additional cost. Contact Koncept or your sales representative for a quote.

AR1000- - - - -

CD = Cool White Light
WD = Warm White Light
MBK = Metallic Black
SIL = Silver
DSK = Desk Base
CLP = Clamp (One-Piece)
2CL = Two-Piece Clamp
SLT = Slatwall Mount
WAL = Wall Mount
GRM = Grommet Mount
THR = Through-Table Mount



Potential LEED Points:

Energy & Atmosphere (EA)

Credit 1.1: Optimize Energy Performance
LED lighting to reduce energy consumption.
(Potential points: 3)

Innovation In Design (ID)

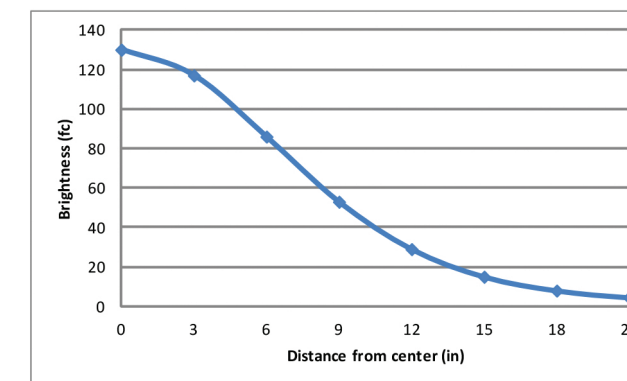
Credit 1.1- 1.4: Innovation in Design
Z-Bar® Solo uses a single arm for a more compact design with an LED head able to fold flat against the body. The lamp also features a built-in touchstrip for brightness adjustability.
(Potential points: 4)

Materials & Resources (MR)

Credit 4.1: Recycled Content - 10%
Lamps contain parts made out of 10% pre-consumer recycled content.
(Potential points: 1)

Credit 4.2: Recycled Content - 20%
Lamps contain parts made out of 20% pre-consumer recycled content.
(Potential points: 2)

Light source placed at 15" away from worksurface



(Shown: photometrics of diffused light model)

Lamp contains 41% preconsumer recycled material by weight*
Aluminum housing is fully recyclable
All color finishes use water-based paint

LEDs do not contain mercury

*In standard configuration (includes transformer and weighted base)