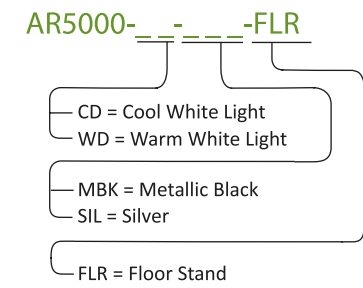


# Z-BAR FLOOR

## KONCEPT

Lumens:	475
Energy Consumption:	9.5 watts
Number of LEDs:	42 LEDs
LED Rated Lifespan:	50,000 hours
Color Temperature (Typical) – Cool:	4,500 K
Color Temperature (Typical) – Warm:	3,500 K
Color Rendering Index (CRI):	85
Dimmer:	Built-in touchstrip
Brightness Adjustability:	Multiple dimming levels
Standard Color Finish*:	Metallic Black, Silver
Material:	Aluminum/Plastic
Cord Color:	Black
Cord Length:	10'
Transformer (100–240 V; 50/60 Hz):	Included – C-UL-US Certified
Maximum Brightness** (15" above desk):	165 fc



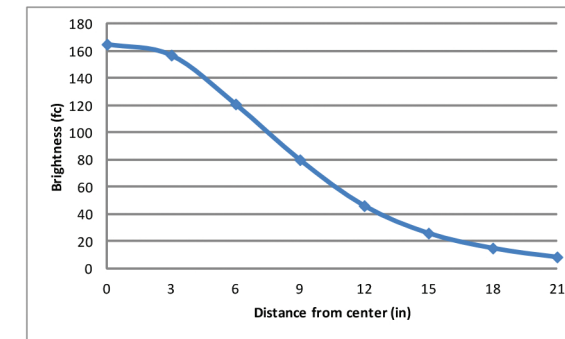
\*Custom colors are available at additional cost. Contact Koncept or your sales representative for a quote.  
\*\*Maximum brightness is measured on diffused models.



Designer  
Peter Ng

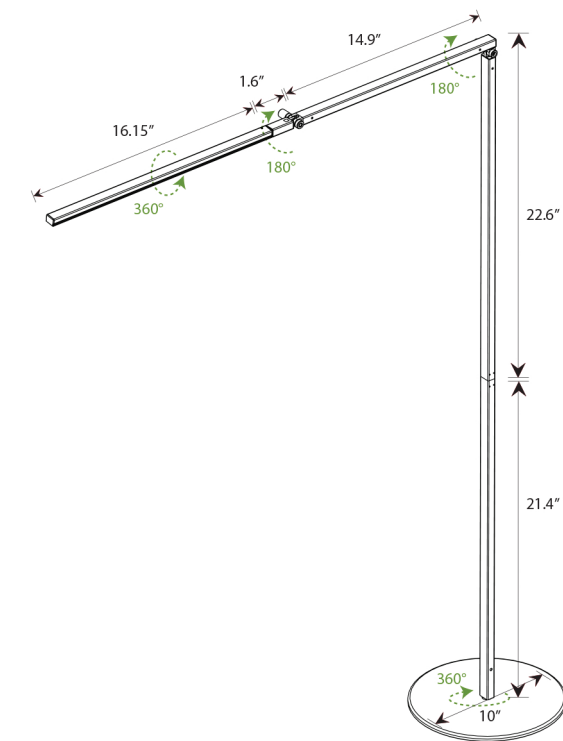
Z-Bar Floor is an ultra thin and flexible floor lamp that fits any room and décor. Need ambient light? Turn the LED head to the ceiling. Need reading light? Pull the LED head down to sofa or chair level. Need no light at all? Fold the LED head against the body for a slim, sculptural silhouette.

Light source placed at 15" away from worksurface



(Shown: photometrics of diffused light model)

Horizontal and vertical reach



### Potential LEED Points:

#### Energy & Atmosphere (EA)

*Credit 1.1: Optimize Energy Performance*  
LED lighting to reduce energy consumption.  
(Potential points: 3)

#### Innovation In Design (ID)

*Credit 1.1- 1.4: Innovation in Design*  
Z-Bar Floor brings the original Z-Bar's three-bar design for maximum reach and flexibility without the need for a table. The LED head can spin in its socket, sweep side to side, and rotate around the end of the arm to point in any direction. The lamp also features a built-in touchstrip for touch sensitive dimming.  
(Potential points: 4)

#### Materials & Resources (MR)

*Credit 4.1: Recycled Content - 10%*  
Lamps contain parts made out of 10% pre-consumer recycled content.  
(Potential points: 1)  
*Credit 4.2: Recycled Content - 20%*  
Lamps contain parts made out of 20% pre-consumer recycled content.  
(Potential points: 2)

Energy Star certified  
Lamp contains 37% preconsumer recycled material by weight\*  
Aluminum housing is fully recyclable  
All color finishes use water-based paint

LEDs do not contain mercury

\*in standard configuration (includes transformer and weighted base)



Occupancy sensor\*\*  
(P7-01-OCC01A)

\*\*Sold separately