

General Product Information



This product is suitable for indoor dry locations only.

This product is to be installed to a 4" square junction box with a 3" round plaster ring or an octagon junction box.

Dimmability Notes:

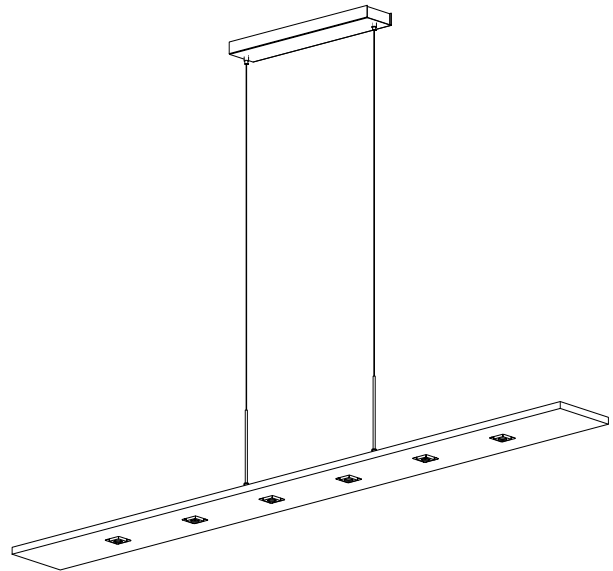
Fixture can be dimmed with TRIAC, ELV, or 0-10V dimming at 120VAC input. For 240 or 277VAC input, fixture is only dimmable with 0-10V dimming. Wiring details are outlined on second page instructions.



CAUTION - RISK OF FIRE



This product requires installation by a qualified electrician. Before installing be sure to read all instructions and **TURN POWER OFF TO THE JUNCTION BOX**



FEED SUSPENSION CABLE THROUGH COMPONENTS

- 1 Feed the suspension cables through the canopy, the threaded coupler nut, five O-Rings, the stabilizing rod, the top of the cable gripper and out the side exit hole of the cable gripper.

CRITICAL NOTE: DO NOT screw the stabilizing rod onto the cable gripper until the final step of the installation process.

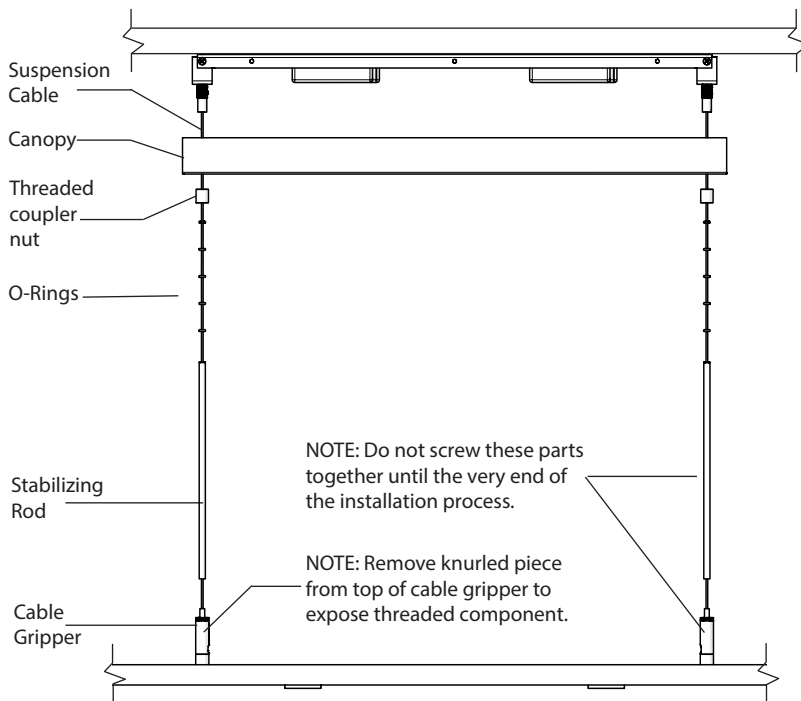


Figure 1

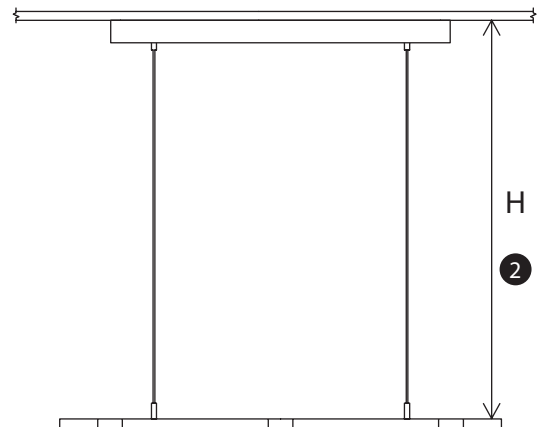


Figure 2

ADJUSTING FIXTURE HEIGHT

- 2 Measure the desired height (H) that you want the fixture to hang below the ceiling.
- 3 Adjust the length of the suspension cables to roughly the desired length by pulling the suspension cable from out the side exit hole of the cable gripper.

MOUNTING THE FIXTURE

- 4 Fasten the mounting plate to the ceiling using the 1.25" wood screws and drywall anchors using the plate as a template.
- 5 Fasten the Linear Canopy Mounting plate to the junction box using the 8-32x3/4" machine screws.
- 6 Feed the wire assemblies through the O-Rings on the suspension cables and through the holes in the canopy.
- 7 Pull the line voltage wires through the center hole in the mounting plate. Use wire nuts to make connections between line voltage wires, drivers, and wire assemblies (see Figure 3).
- 8 **CRITICAL NOTE:** If 0-10V dimming control is to be used, connect purple and gray driver leads to 0-10V dimmer. Otherwise, the tinned ends of the leads should be snipped off and the leads should be capped individually such that they remain isolated from one another.

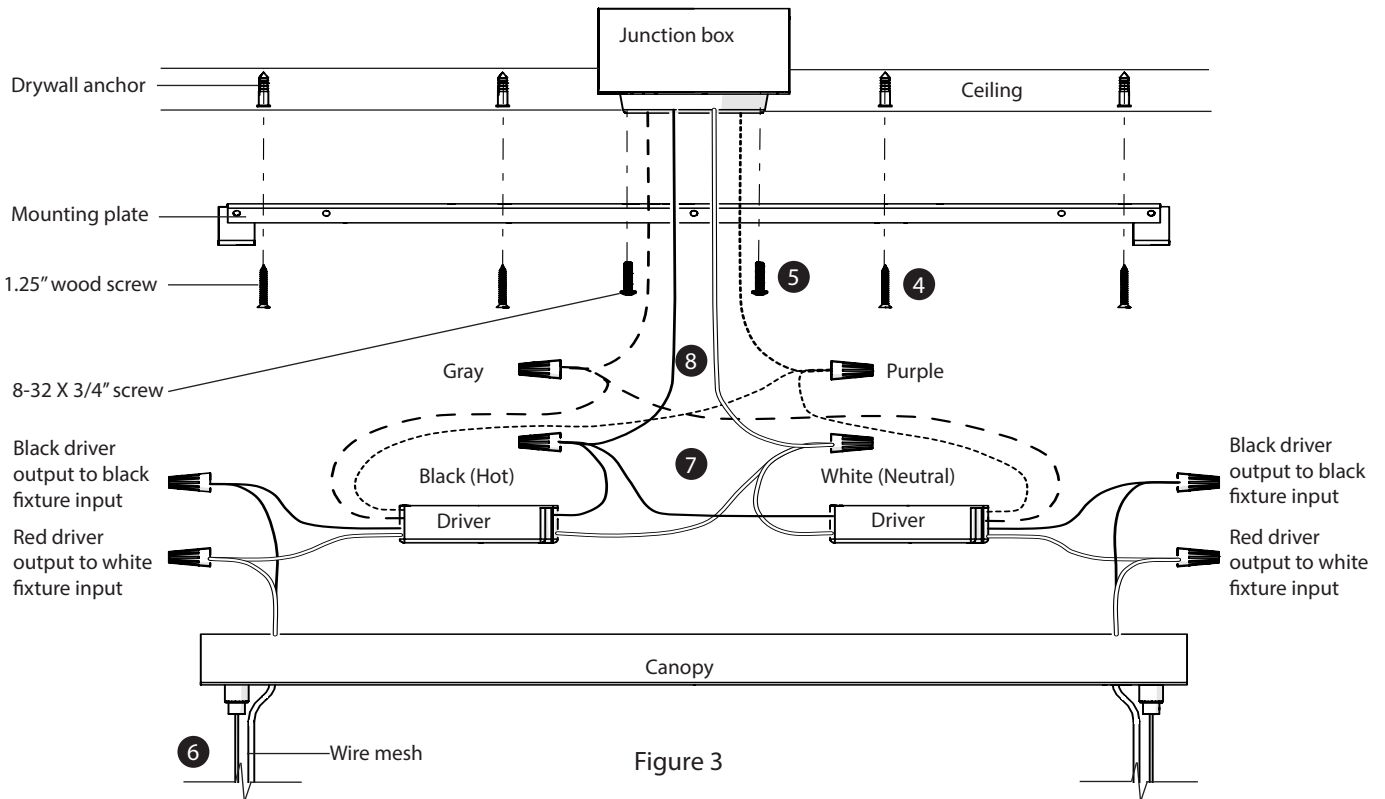


Figure 3

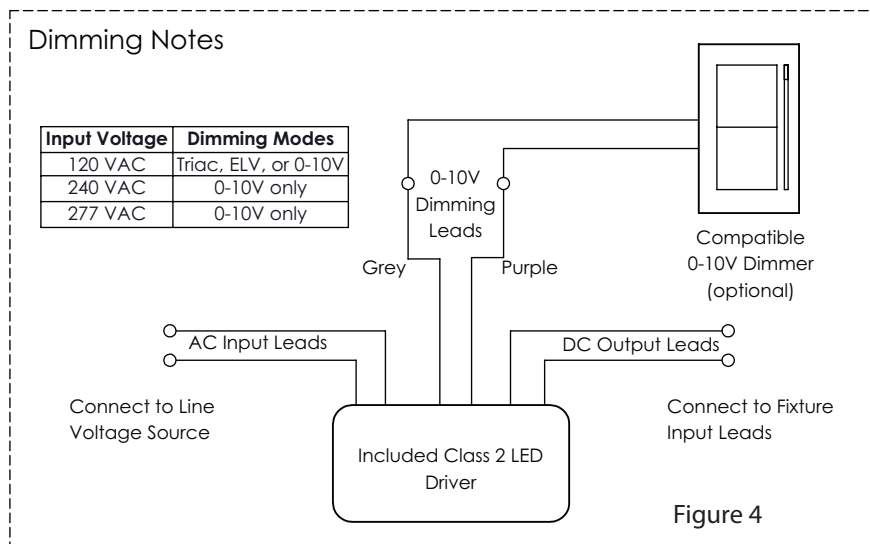


Figure 4

SECURING THE CANOPY

- 9 Slide the canopy up the cables and secure it by fastening threaded coupler nut onto the threaded coupler. Evenly space out the O-Rings along the suspension cable and wire assemblies.
- 10 Insert the strain relief bushing into the canopy and make sure the strain relief bushings wrap around the wire assemblies.

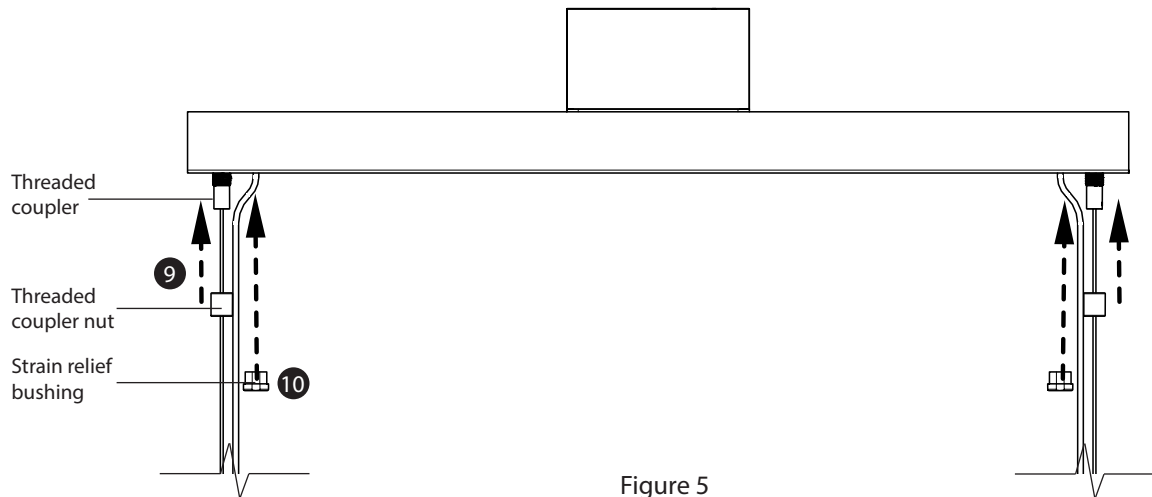


Figure 5

Stabilizing the Shade

- 11 Screw the stabilizing rods onto the cable grippers.

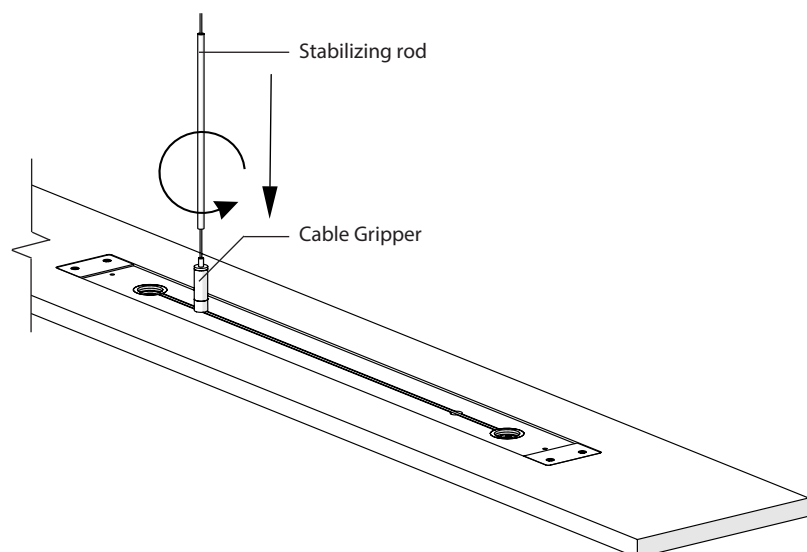


Figure 6