

PRODUCT FEATURES

- From the brand formerly known as Tech Lighting
- Ultimate in modern minimalism with clean, linear profile with three expanses each less than 1" high and 50" long
- High performance, energy efficient integrated LED light source with 3,000K Color Temp and 90 CRI
- Modern finish options allow design versatility
- Protected by a 5-year warranty. please go to www.techlighting.com for warranty details



LAMPING

Includes (3) integrated 120 volt 72 watt, 2682 total delivered lumens, 90 CRI, 3000K LED modules. Dimmable with most LED compatible ELV and TRIAC dimmers. Includes 10 feet of field-cuttable cable.

Aged Brass



Aged Brass

Satin Nickel

ORDERING INFORMATION

700LSES3	FINISH	LAMP
	R AGED BRASS	-LED930 INTEGRATED LED 90 CRI 3000K 120V
	S SATIN NICKEL	

700LSES3 _____

JOB NAME _____

NOTES _____

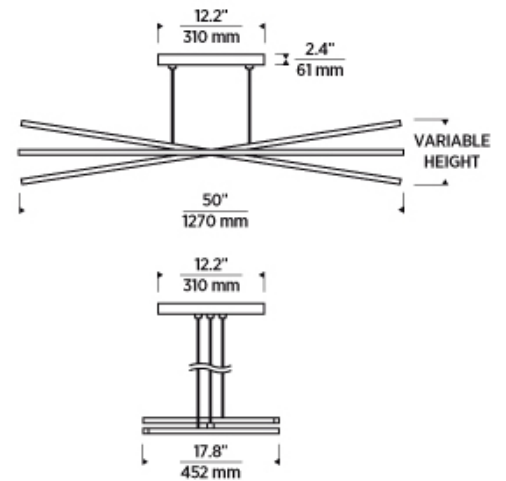


ESSENCE TRIO LINEAR

VISUAL COMFORT & Co.

SPECIFICATIONS

PRIMARY MATERIAL	Aluminum
SHADE MATERIAL	Acrylic
NET WEIGHT	10.5 lbs
HEIGHT	18in
WIDTH	17.8in
LENGTH	50in
UP LIGHT / DOWN LIGHT / BOTH?	
WET LISTED	
DAMP LISTED	
DRY LISTED	
MIN. HANGING HEIGHT	6in
MAX HANGING HEIGHT	140.4in
TOTAL CORD LENGTH	120in
TOTAL STEM LENGTH	
STEM QTY	
SLOPED CEILING ADAPTABLE?	Yes 45° Max
GENERAL LISTING	ETL Listed
INCLUDES	



LAMPING SPECIFICATIONS

	LED LAMP	INTEGRATED LED	NON LED	NO LAMP
DELIVERED LUMENS		2682		
WATTS		72		
MAX WATTAGE PER BULB		72W		
		120V ELV, TRIAC		
CCT		3000K		
CRI		90 CRI		
LED LIFETIME				
L70		>50000		
AVERAGE BULB HOURS				
FIELD SERVICEABLE LED				
LAMP BASE		Integrated LED		
LAMP SHAPE		Integrated LED		
LAMP INCLUDED?		True		
WARRANTY**		5 Years		

* Dimming information available at www.techlighting.com/Downloads#dimming

** Visit techlighting.com for specific warranty limitations and details.

T20 / T24 / JA8 INFORMATION

	Integrated LED	Replacement LED Lamp	No Lamp *
This product can be used to comply with California Building Energy Efficiency Standards 2016 Title 24 Part 6 / JA8.	No		
This product can be used to comply with California Appliance Efficiency Standards 2016 Title 20 and may be shipped to and sold in California.	N/A		

* If a light fixture or component does not include a lamp or light source, it is the responsibility of the customer to select a lamp that meets the T24 and T20 requirements.

