

FLOS

Viscontea - Specification Sheet

by Achille and Pier Giacomo Castiglioni, 1960

Mounting	Ceiling Pendant
Lamp (Bulb) Description	1 x 72W BT-15 ECO Halogen (Included)
Environment	Indoor - Dry Location
Dimming	Dimmable
Finish	White
Technical and Product Description	VISCONTEA suspension lamp providing diffused light. White powder coated internal steel structure sprayed with a unique "cocoon" resin to create the diffuser which is then protected by a transparent sprayed on finish.

Electrical

Voltage	120
Switching	NA
IP Rating	IP20

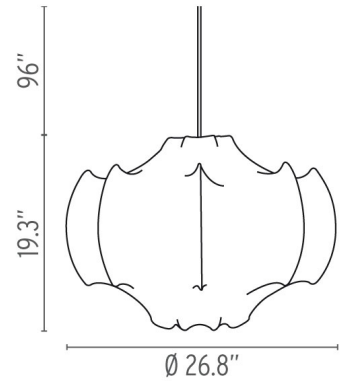
Physical

Cord Length (inches)	96" - White (Cord length can be shortened during installation)
Construction Material	Plastic
Weight	3.75 lbs



○ FU800109 White

Dimensional Image



Certifications



Lamping (Bulb)



72W BT-15 ECO Halogen