

PILKE 28 TABLE

Designed by Tuukka Halonen

2016 GREEN GOOD DESIGN AWARD

DESIGN & INSPIRATION

The inspiration for the Pilke 28 came from traditional Finnish shingle work, but Tuukka Halonen upgraded the design to a modern structure made with today's state of the art technology. Repetition of plywood parts in right angle creates beautiful subtle friction to light. No glue or screws are used. Pilke is a unique, decorative light fixture, giving natural warm light through its wooden structure. The word Pilke is a Finnish word for Twinkle.

LIGHT SOURCE



1 x E26 LED 15W MAX

Suggested Specs: A19 Frosted

> 90 CRI / 2700K / Dimmable



SPECIFICATIONS & TECHNICAL NOTES

Made in Finland.

Constructed in Birch Plywood

DIAGRAM

PRODUCT CODES



Birch shade

SF.PT2801



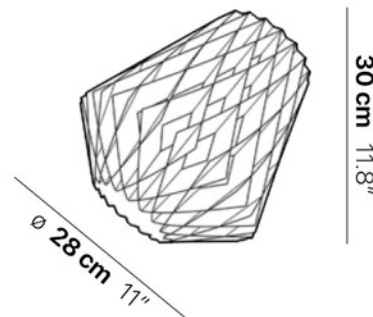
White shade

SF.PT2805



Black shade

SF.PT2803



uplight group.

Uplight Group, LLC 1835 NE Miami Gardens Dr. N. Miami Beach, FL 33179
Tel. +1.305.621.9602 sales@uplightgroup.com www.uplightgroup.com

Fixture Type _____ Notes _____
Project Name _____



