

# PALONA PENDANT

## PRODUCT FEATURES

- Flawlessly hand-blown in the European tradition
- Highly engineered mechanical components
- Ships with 6 feet of field-cuttable cable
- Fully dimmable LED or standard incandescent lamping options to create the desired ambiance
- Ideal for dining rooms, home offices and foyers
- Protected by a 1-year warranty



## LAMPING

Rated for (1) 60 watt max, E26 medium based lamp (Lamp Not Included). Clear & Smoke Glass. LED Replacement version includes 120 volt 9 watt, 684 delivered lumen, 3000K-2200K warm color dimming LED module. Clear & Smoke Glass. LED Integrated version includes 3.5 watt, 250 delivered lumen, 2700K, LED E26 medium base ST19 lamp . White Glass. LED Replacement version includes 9.5 watt, 800 delivered lumen, 2700K, LED E26 medium base A19 lamp. Fixture provided with six feet of field-cuttable cable. Dimmable with most LED compatible ELV and TRIAC dimmers.

Smoke / Satin Nickel  
LED



Clear / Aged Brass  
Incandescent

Clear / Aged Brass  
LED

Clear / Satin Nickel  
Incandescent

Clear / Satin Nickel  
LED

To view all available finish options, please visit [techlighting.com](http://techlighting.com)

## ORDERING INFORMATION

700	SYSTEM	PLNP	COLOR	FINISH	LAMP
	TD LINE-VOLTAGE PENDANTS/SUSPENSION		C CLEAR K SMOKE W WHITE	R AGED BRASS S SATIN NICKEL	NO LAMP -LED927 A19 LED 90 CRI 2700K 120V (T20/T24) -LED927 ST19 LED 90 CRI 2700K 120V -LEDWD LED WARM DIM 3000K - 2200K 120V

700 \_\_\_\_\_ PLNP \_\_\_\_\_

JOB NAME \_\_\_\_\_

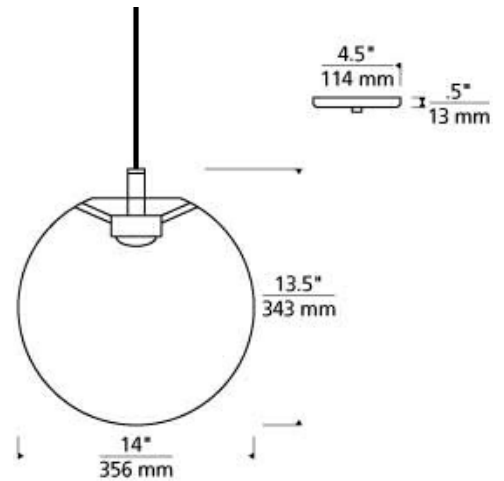
NOTES \_\_\_\_\_



# PALONA PENDANT

## SPECIFICATIONS

HARDWARE MATERIAL	Metal
SHADE MATERIAL	Glass
NET WEIGHT	7.5 lbs
HEIGHT	13.5in
WIDTH	14in
LENGTH	14in
UP LIGHT / DOWN LIGHT / BOTH?	
WET LISTED	
DAMP LISTED	Yes
DRY LISTED	
MIN. HANGING HEIGHT	20in
MAX HANGING HEIGHT	86in
TOTAL CORD LENGTH	72in
TOTAL STEM LENGTH	
STEM QTY	
SLOPED CEILING ADAPTABLE?	
GENERAL LISTING	
INCLUDES	



## LAMPING SPECIFICATIONS

	LED LAMP	INTEGRATED LED	NON LED	NO LAMP
DELIVERED LUMENS	Clear, Smoke : 250 White : 800	684		
WATTS	Clear, Smoke : 3.5W White : 9.5W	9		
MAX WATTAGE PER BULB	3.5W	9W	60W	
INPUT VOLTAGE	120V	120V	120V	
DIMMING TYPE*	ELV, TRIAC	ELV, TRIAC	ELV, TRIAC	
CCT	2700K	3000K-2200K		
CRI	90 CRI	90 CRI		
LED LIFETIME				
L70				
AVERAGE BULB HOURS				
FIELD SERVICEABLE LED				
LAMP BASE	E26 Medium Base	Integrated LED	E26 Medium Base	
LAMP SHAPE	Clear, Smoke : ST19 White : A19	Integrated LED	A19	
LAMP INCLUDED?	Y	Y	Y	
WARRANTY**	5 Years	5 Years	1 Year	

\*Dimming information available at [www.techlighting.com/Downloads#dimming](http://www.techlighting.com/Downloads#dimming)

\*\* Visit [techlighting.com](http://techlighting.com) for specific warranty limitations and details.

## T20 / T24 INFORMATION

	Integrated LED	Replacement LED Lamp	No Lamp *
This product can be used to comply with California Building Energy Efficiency Standards 2016 Title 24 Part 6.	Yes		
This product can be used to comply with California Appliance Efficiency Standards 2016 Title 20 and may be shipped to and sold in California.	No		

\* If a light fixture or component does not include a lamp or light source, it is the responsibility of the customer to select a lamp that meets the T24 and T20 requirements.

