

| |
|---------|
| PROJECT |
| TYPE |
| NOTES |



OVERVIEW

Tricot is a tribute to the traditional art of knitting and lace-making by hand. The fundamental idea is to build on the concept of one flexible cord layered between two flat slices of solid material. Tricot is delicate, classically understated, and a testament to elegance and edginess. Its rounded element brings lightness and delicacy in contrast to its solid construction that is beautifully supported by what appears to be a single flexible rope.



CANOPY

Hardware is included for both options.

MOUNTING

Ceiling Pendant

SOURCE

Interchangeable LED module

MATERIALS

Powder-coated aluminum
Natural Brass
Semi-synthetic cord
Frosted Acrylic

ENVIRONMENT

Indoor - Dry location

DIMMING

Fully dimmable with TRIAC, ELV, and 0-10 V dimmers
See Dimming compatibility on page 3

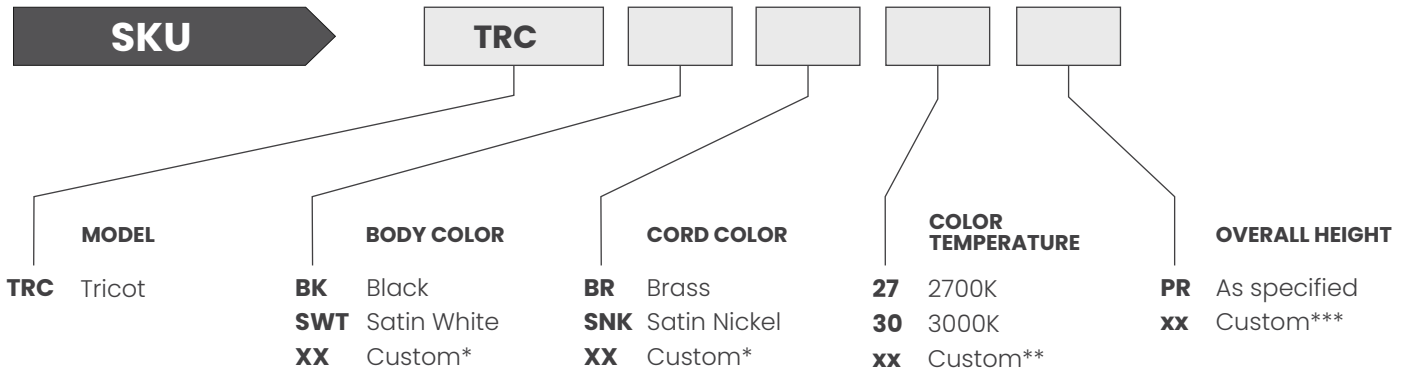
SPECIFICATIONS

| | |
|-----------------------|--|
| Voltage | 120V-277V 50/60Hz |
| Power consumption | 38W |
| Color temperature | 3000K 2700K More color temperature is available upon Request |
| Luminosity | 2350 lm (3000K) |
| Color rendering index | ≥90 CRI |
| Lifespan | 50K hour lifespan |

Certifications



Ordering Guide



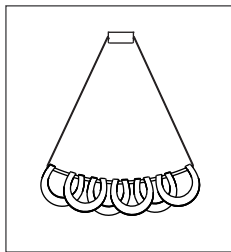
* Not all custom color are available. Please verify with your sales representative.

** Not all custom color temperatures are available. Please verify with your sales representative.

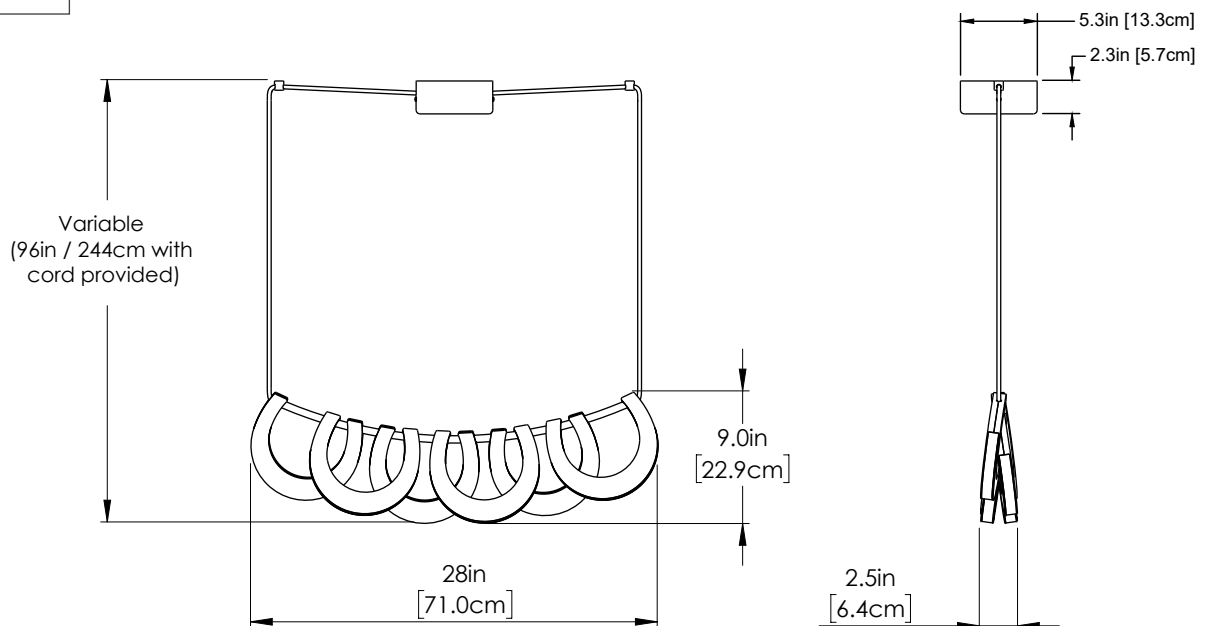
***Total height measured from ceiling to bottom of fixture.

Custom specifications must be indicated on the purchase order. The final price and feasibility must be confirmed.

Dimensions



Opt 2
 Hardware is included for both options.



TESTED DIMMER COMPATIBILITY

- Compatible with any 0-10V dimmer.

| LIST OF COMPATIBLE TRIAC AND ELV DIMMERS | | | |
|--|-----------|-------------|-------------|
| MANUFACTURER | MODEL | MAX DIMMING | MIN DIMMING |
| Leviton | IPI06-1LZ | 99% | 2% |
| Leviton | 6631-2 | 99% | 0% |
| Lutron | DVCL-153P | 98% | 1% |
| Lutron | TGCL-153P | 98% | 9% |
| Lutron | S600P | 98% | 4% |
| Leviton | VPE06 | 98% | 14% |
| Lutron | DVELV303P | 98% | 11% |
| Lutron | SELV300P | 98% | 11% |
| Leviton | 6683-IW | 97% | 8% |
| Leviton | 6633-P | 97% | 3% |
| Cooper | DLC03P | 98% | 4% |
| Lutron | LG600P | 98% | 9% |
| Cooper | SLC03P | 98% | 1% |
| Leviton | IPE04 | 99% | 10% |
| Lightolier | ZP260QEW | 98% | 11% |

CLEANING INSTRUCTIONS

- Dust the luminaire regularly with a soft, dry cloth to remove any surface dirt and debris.
- For more thorough cleaning, use a damp cloth or sponge with a mild, non-abrasive soap or detergent. Do not use any harsh chemicals or abrasives that could damage the finish.
- Never use any solvents, citrus juice, vinegar, or other acidic or abrasive cleaning solutions on the luminaire, as these can damage the surface.
- For the textile braided cord, gently wipe it down with a damp cloth to remove any dust or dirt. Do not soak or immerse the cord in water, as this can cause damage.
- Avoid using any sharp or abrasive tools or scrubbing pads on the luminaire, as this can scratch or damage the finish.