

PROJECT

TYPE

NOTES

## OVERVIEW

Jalon collection is made of very few elements, which are used as much as possible. The single-piece body is made from aluminum and requires a considerable amount of craftsmanship to produce. The light is evenly diffused across all surfaces to create a graceful ambience without sacrificing functionality.



## CANOPY



## MOUNTING

Ceiling Pendant

## SOURCE

Integrated LED module

## MATERIALS

Powder-coated aluminum  
Semi-synthetic cord  
Frosted Acrylic

## ENVIRONMENT

Indoor - Dry location

## DIMMING

Fully dimmable with TRIAC, ELV, and 0-10 V dimmers  
See Dimming compatibility on page 3

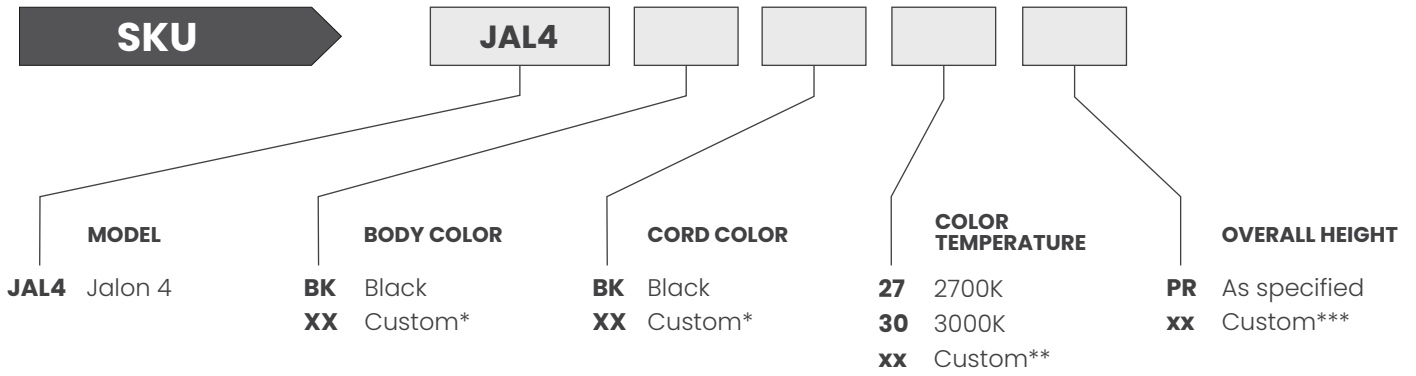
## SPECIFICATIONS

Voltage	120V-277V 50/60Hz
Power consumption	38W
Color temperature	3000K 2700K More color temperature is available upon Request
Luminosity	1644 lm (3000K)
Color rendering index	≥90 CRI
Lifespan	50K hour lifespan

Certifications



## Ordering Guide



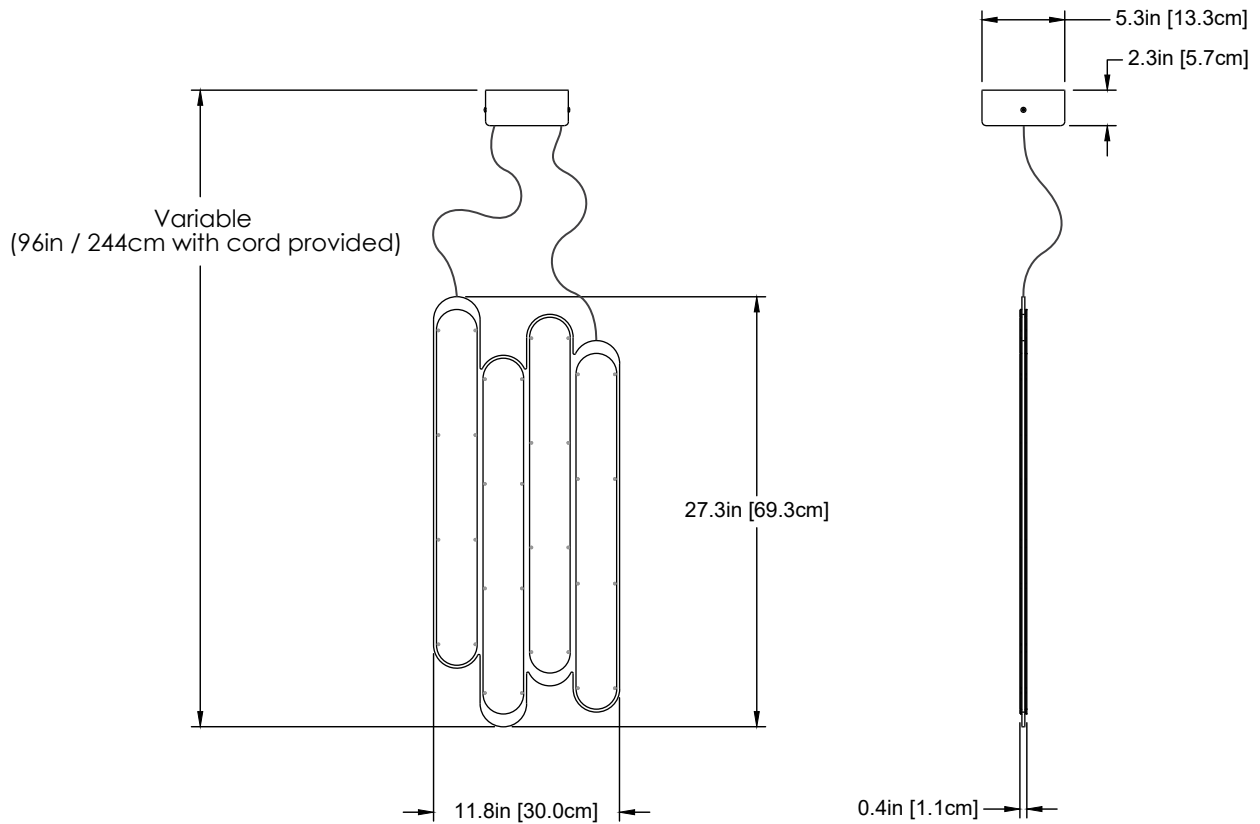
\* Not all custom color are available. Please verify with your sales representative.

\*\* Not all custom color temperatures are available. Please verify with your sales representative.

\*\*\*Total height measured from ceiling to bottom of fixture.

Custom specifications must be indicated on the purchase order. The final price and feasibility must be confirmed.

## Dimensions



## TESTED DIMMER COMPATIBILITY

---

- Compatible with any 0-10V dimmer.

LIST OF COMPATIBLE TRIAC AND ELV DIMMERS			
MANUFACTURER	MODEL	MAX DIMMING	MIN DIMMING
Leviton	IPI06-1LZ	99%	2%
Leviton	6631-2	99%	0%
Lutron	DVCL-153P	98%	1%
Lutron	TGCL-153P	98%	9%
Lutron	S600P	98%	4%
Leviton	VPE06	98%	14%
Lutron	DVELV303P	98%	11%
Lutron	SELV300P	98%	11%
Leviton	6683-IW	97%	8%
Leviton	6633-P	97%	3%
Cooper	DLC03P	98%	4%
Lutron	LG600P	98%	9%
Cooper	SLC03P	98%	1%
Leviton	IPE04	99%	10%
Lightolier	ZP260QEW	98%	11%

## CLEANING INSTRUCTIONS

---

- Dust the luminaire regularly with a soft, dry cloth to remove any surface dirt and debris.
- For more thorough cleaning, use a damp cloth or sponge with a mild, non-abrasive soap or detergent. Do not use any harsh chemicals or abrasives that could damage the finish.
- Never use any solvents, citrus juice, vinegar, or other acidic or abrasive cleaning solutions on the luminaire, as these can damage the surface.
- For the textile braided cord, gently wipe it down with a damp cloth to remove any dust or dirt. Do not soak or immerse the cord in water, as this can cause damage.
- Avoid using any sharp or abrasive tools or scrubbing pads on the luminaire, as this can scratch or damage the finish.