

INSTALLATION GUIDE

David Weeks for Tala Echo - Floor Lamp

Thoughtful lighting, responsibly designed in London.

Thank you for making the switch to Tala.
Discover the full Tala family at tala.co.uk

BEFORE STARTING

Please read instructions thoroughly before installation and keep them for future reference. Please take extreme care when dealing with electrical equipment.

IMPORTANT

Bulbs must be installed in fixture before turning on.

WARNING

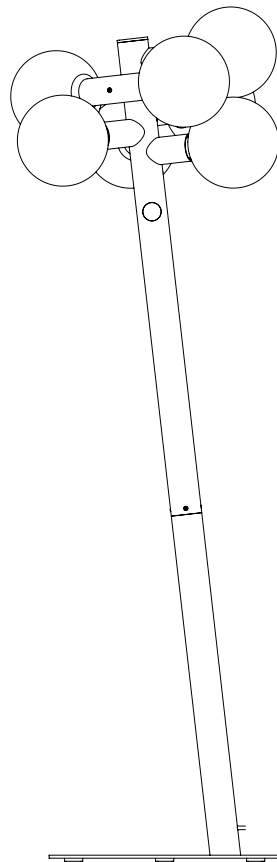
Ensure power is turned OFF before inserting plug.

CARE AND CLEANING

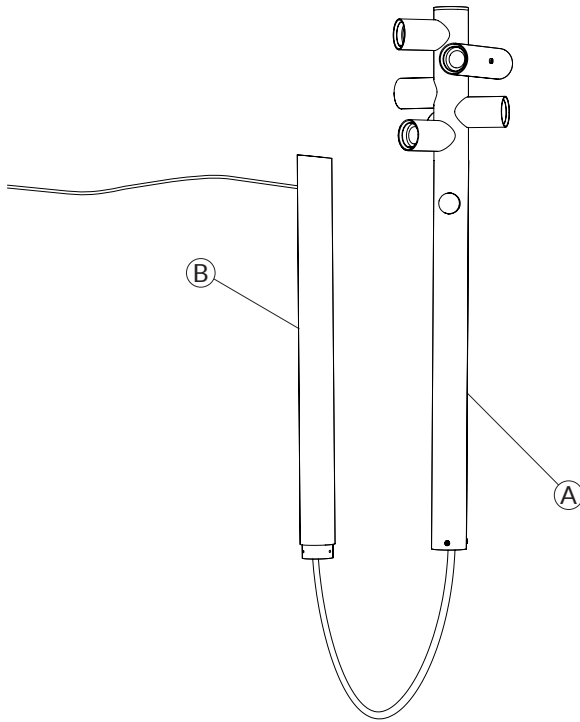
We recommend cleaning with a soft dry cloth. Do not use abrasive materials as these will damage the finish of the product.

WARRANTY AND AFTER-CARE

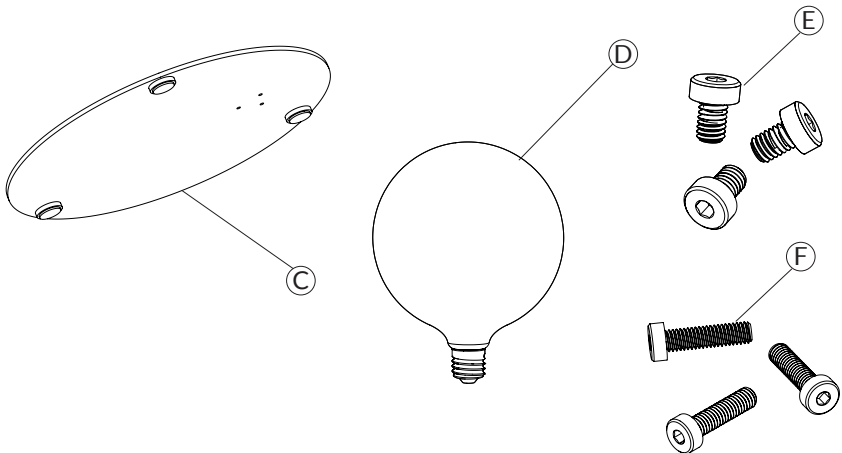
This product has a three-year warranty. If there appears to be a functional defect with the product during this time, please contact our team at customerservice@tala.co.uk. The external flexible cable or cord of this luminaire cannot be replaced; if the cord is damaged, the luminaire shall be destroyed.



ECHO FLOOR LAMP - PROVIDED COMPONENTS



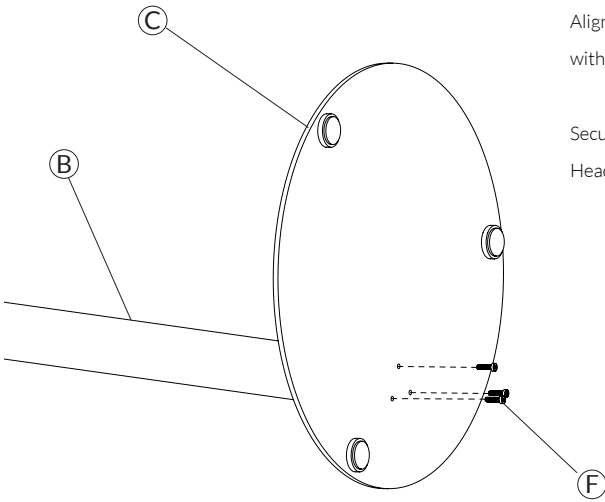
- (A) x1 Upper stem with Dimmer
- (B) x1 Lower Stem
- (C) x1 Base
- (D) x7 Tala Sphere IV bulbs
- (E) x3 Short Hex head bolts
- (F) x3 Long Hex head bolts
- + x1 M5 Hex Key
- + x1 M8 Hex Key



STEP 1

Align the bolt holes on the Bottom Stem (B) with the holes on the Base (C).

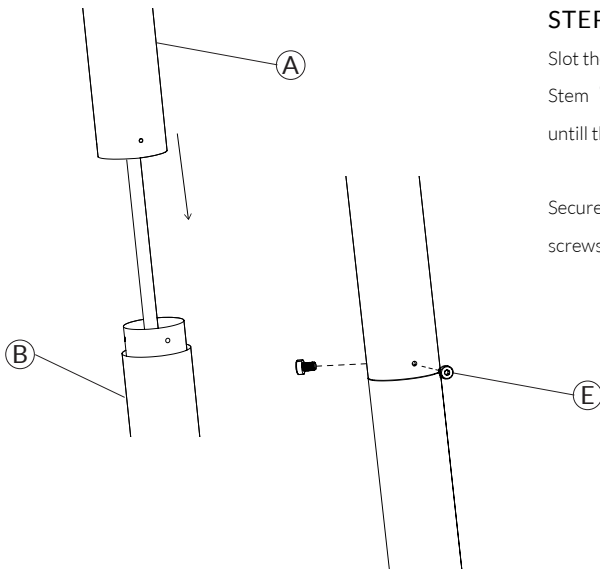
Secure in place with the three longer Hex Head bolts (F).

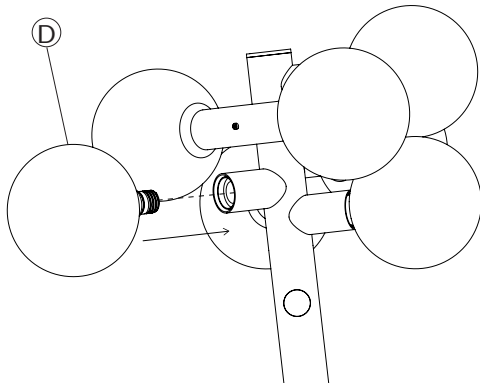


STEP 2

Slot the Upper Stem (A) into the Lower Stem (B) and rotate the Upper Stem until the Bolt Holes are aligned.

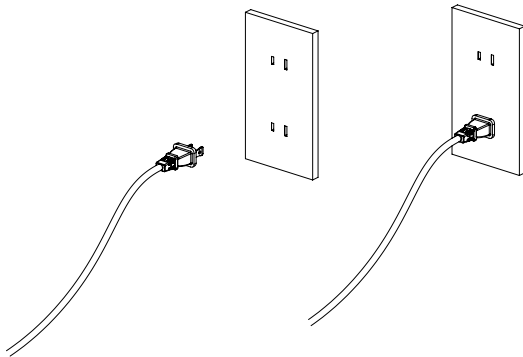
Secure in place with the three Hex Head screws (E).





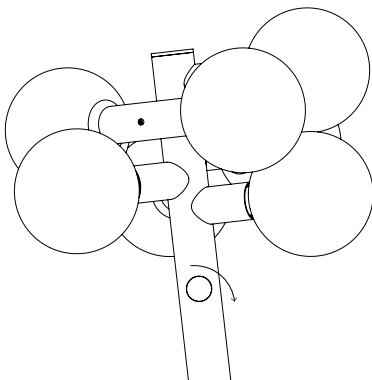
STEP 3

Insert your bulbs into the top of the lamp, rotating clockwise until tight. Take care not to tighten too much to avoid breakage.



STEP 4

Insert the lamp plug into your chosen wall socket, making sure the power is switched off.



STEP 5

Switch the power on and rotate the dial on your dimmer until the bulbs light up. Adjust the dimmer for your desired light output.

Join the Community

hello@tala.co.uk | Instagram: @tala | Facebook: talaHQ | Pinterest: TalaLED | Tag: lighttoliveby
Tala North America, Inc. P.O. Box 89, 1051 Port Washington Blvd. Port Washington, NY 11050