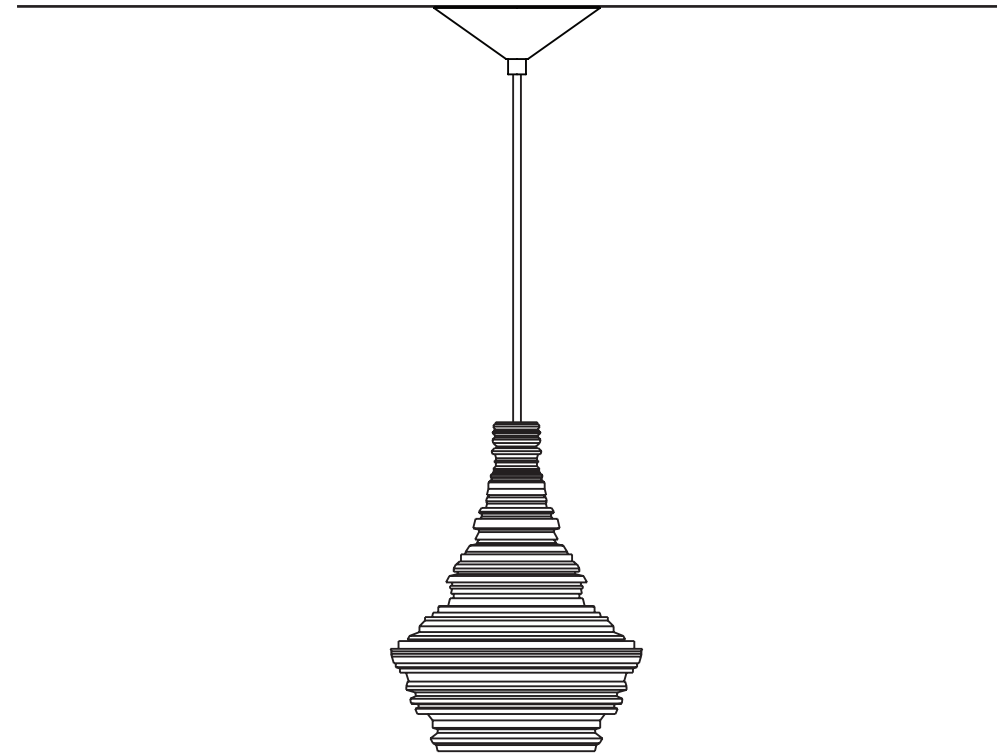


# Stupa 18

by Freshwest



Innermost WEEE  
registration number:  
WEE/FH1713VS

## SAFETY WARNINGS

Installation should only be undertaken by a qualified electrician.

## TECHNICAL INFORMATION

Stupa 18 - E27 MAX. 100W (EU/UK)

Innermost recommends LED Globe Bulbs 400 - 1000 Lumen output from 2700K (for warmer with more colour) up to 6000K (daylight).

## CLEANING AND CARE

Switch off the luminaire before cleaning and relamping.

To keep your product clean, wipe with a damp non-abrasive cloth. Over many years of use the material in Stupa may discolour. To reduce this effect Innermost recommend using low heat emitting LED bulbs or CFL. Incandescent bulbs are not recommended.

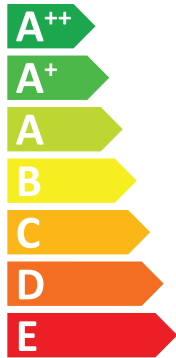
**innermost**

STUPA 18

PS079110-XX



This luminaire is compatible with bulbs of the energy classes:



874/2012



For further information, please  
contact: [info@innermost.net](mailto:info@innermost.net)

[www.innermost.net](http://www.innermost.net)  
OXO Tower Wharf Bargehouse Street London

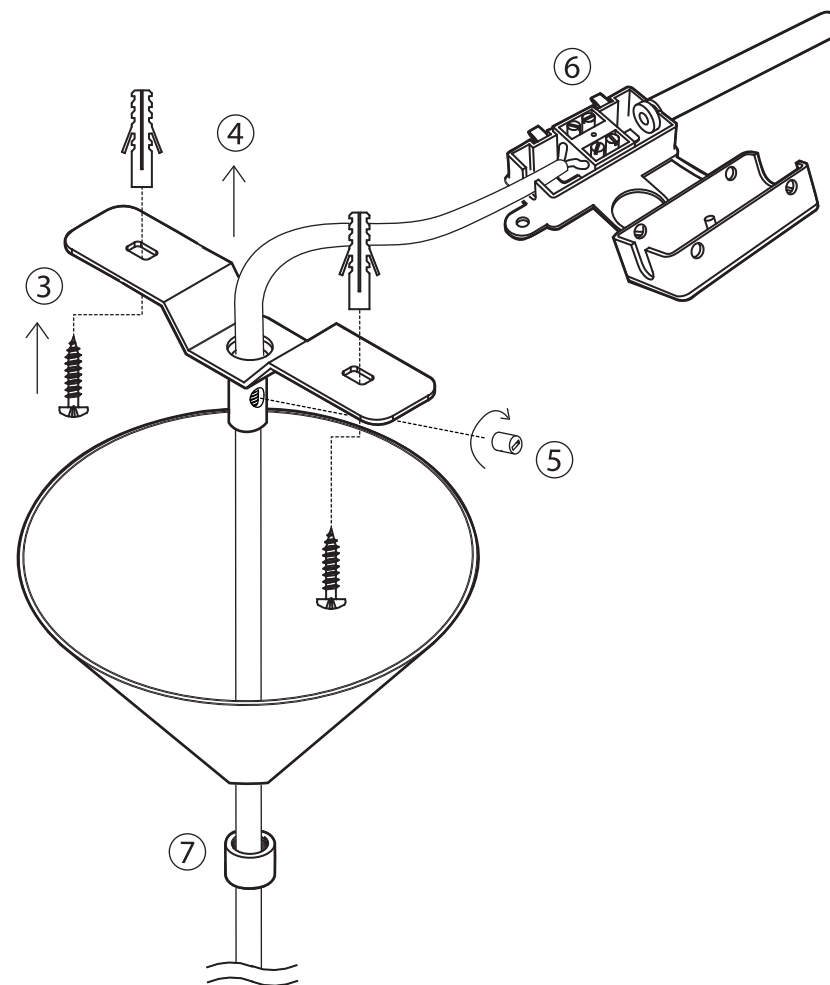
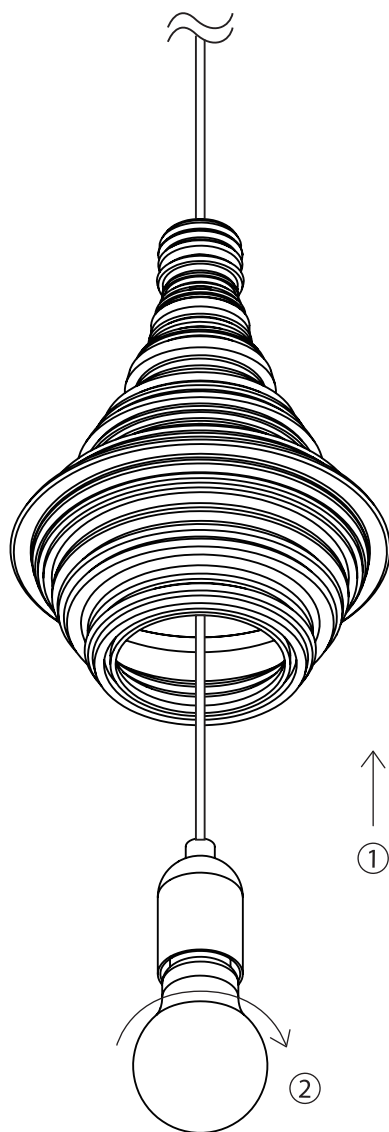
INSTALLATION GUIDE FOR :

Stupa 18 UK / EU

White - PS07911001

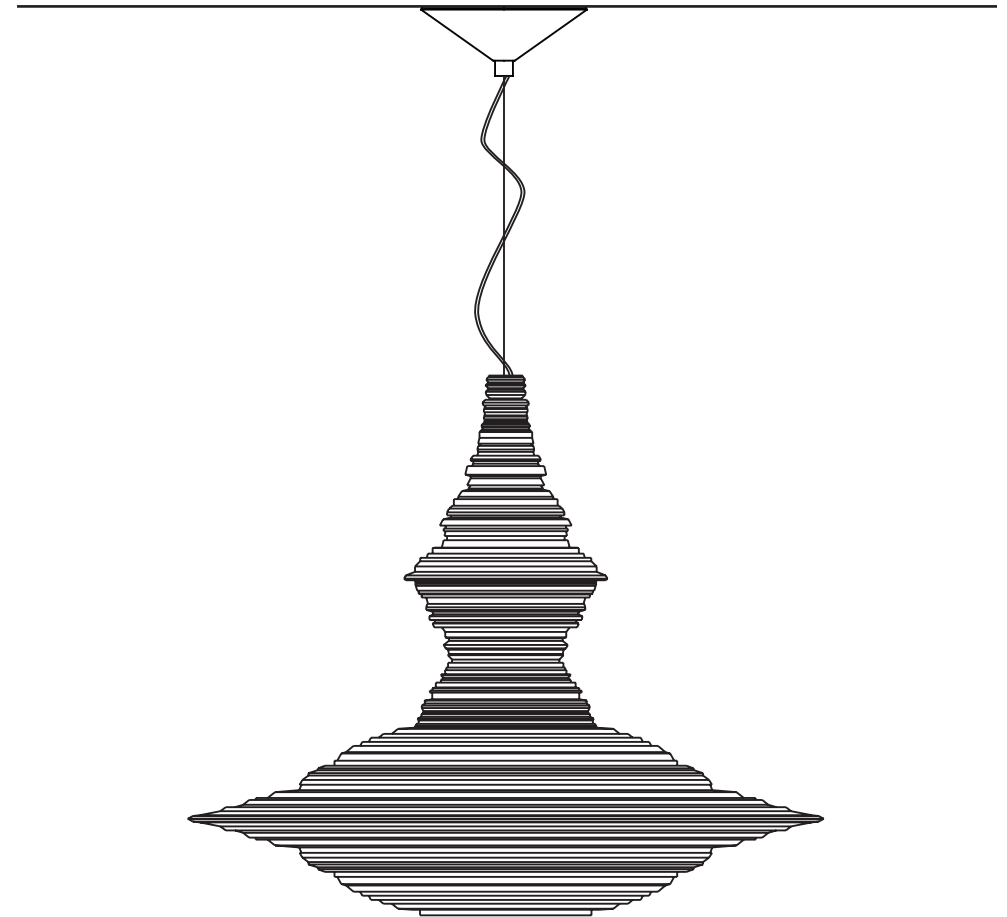
Yellow - PS07911006

**innermost**<sup>®</sup>



# Stupa 56

by Freshwest



Innermost WEEE  
registration number:  
WEE/FH1713VS

## SAFETY WARNINGS

Installation should only be undertaken by a qualified electrician.

Heavy product, handle with caution.

## TECHNICAL INFORMATION

Stupa 56 - E27 MAX. 100W (EU/UK)

Innermost recommends LED Globe Bulbs 400 - 1000 Lumen output from 2700K (for warmer with more colour) up to 6000K (daylight).

## CLEANING AND CARE

Switch off the luminaire before cleaning and relamping.

To keep your product clean, wipe with a damp non-abrasive cloth. Over many years of use the material in Stupa may discolour. To reduce this effect Innermost recommend using low heat emitting LED bulbs or CFL. Incandescent bulbs are not recommended.

**innermost**

STUPA 56

PS079140XX



This luminaire is compatible with bulbs of the energy classes:

A<sup>++</sup>

A<sup>+</sup>

A

B

C

D

E



874/2012



For further information, please  
contact: [info@innermost.net](mailto:info@innermost.net)

[www.innermost.net](http://www.innermost.net)

OXO Tower Wharf Bargehouse Street London

INSTALLATION GUIDE FOR :

Stupa 56 UK / EU

White - PS07914001

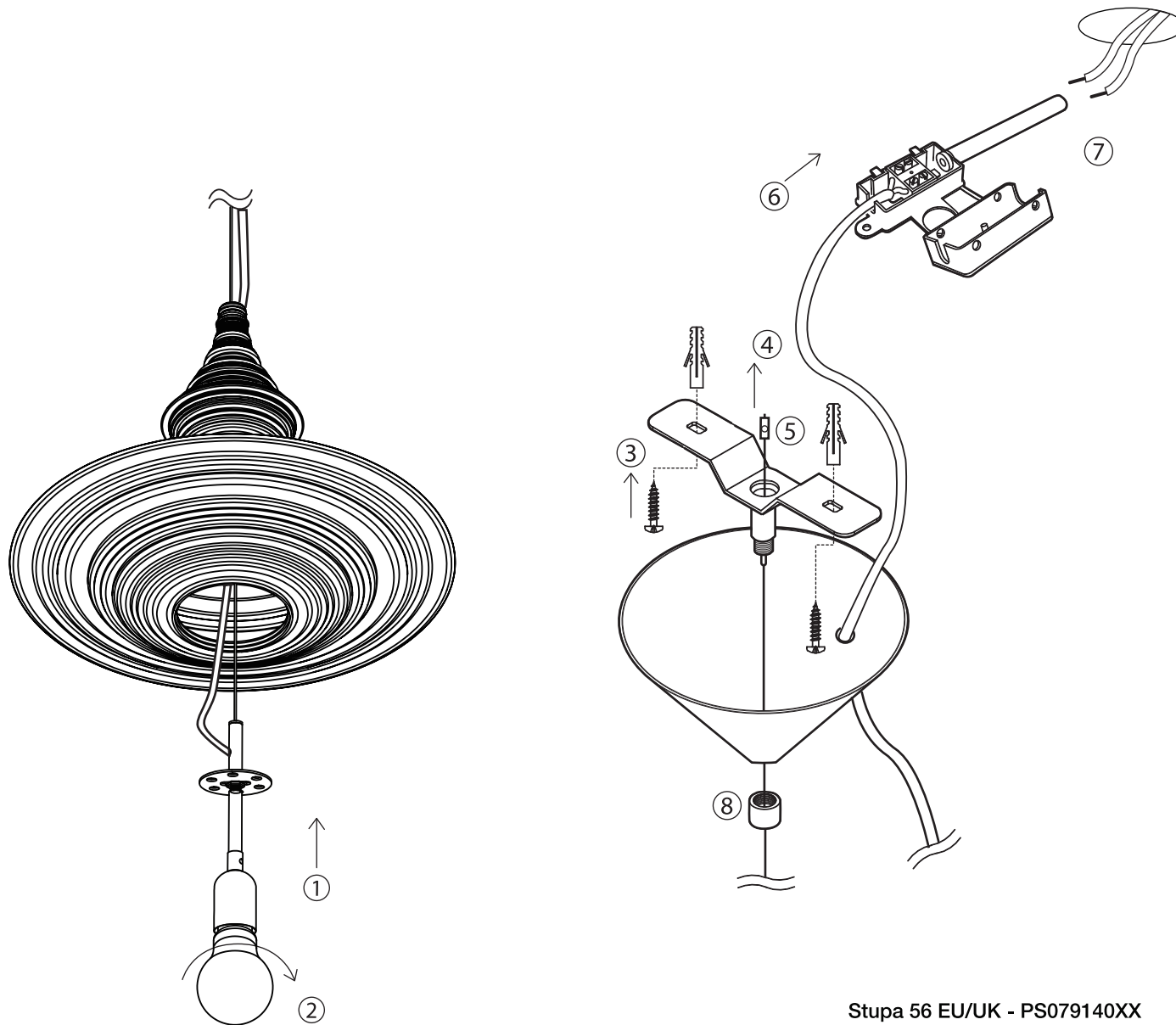
Yellow - PS07914006

**innermost**<sup>®</sup>

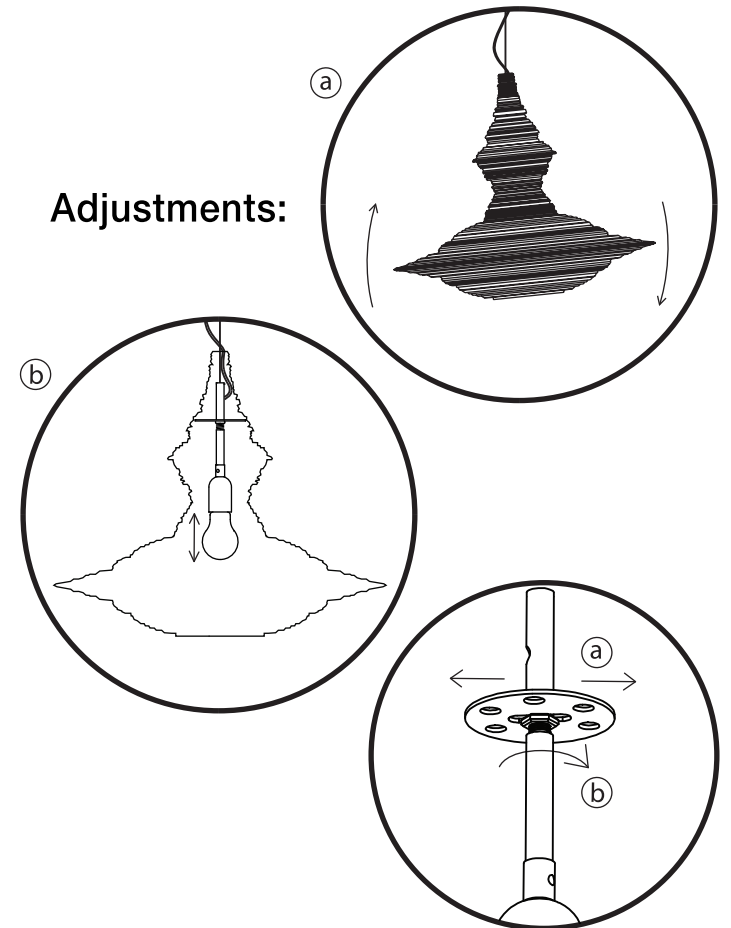
# Stupa 56

by Freshwest

innermost®



## Adjustments:



- (a) To level shade: Loosen lower nut and move fitting plate to left or right in relation to stem and re-tighten nut.
- (b) To adjust bulb height: Turn top and bottom nuts to move plate position. Re-tighten nuts once finalised

Stupa 56 EU/UK - PS079140XX