

James

Hartau Simple Instructions

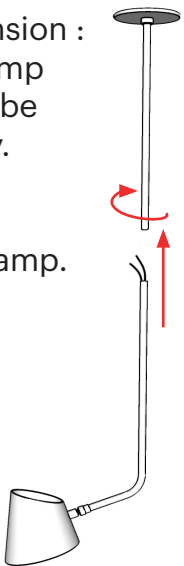
Installation should be made by an electrician.
Make sure that the circuit breaker is shut down at
all time during the installation.

Necessary tools:

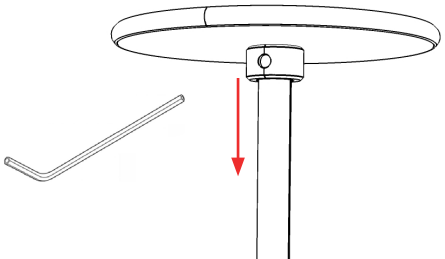
- Ceiling electrical box with screw
- Screwdrivers
- Wire connectors

1 If your lamp has an extension :
get the wires from the lamp
through the extension tube
all the way to the canopy.

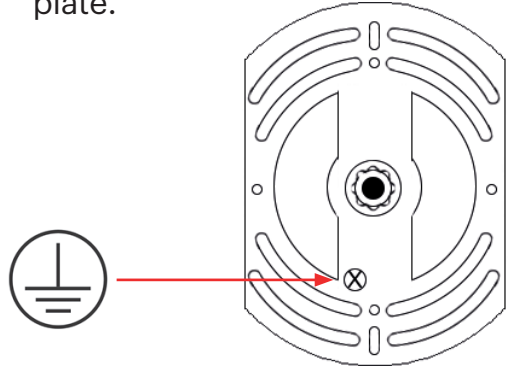
Screw the
extension tube into the lamp.



2 Using the small allen wrench
included with the lamp unscrew
the ring below the canopy and
lower the canopy.

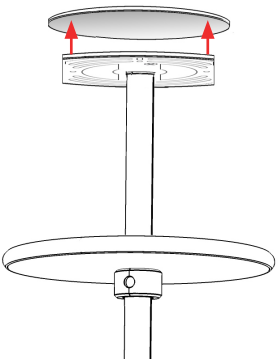


3 First, connect the ground to the
green screw on the mounting
plate.



Then connect the electricity wires.

4 Fix the mounting plate to the
electrical box with the screws of
the electrical box



5 Put the canopy back up and
tighten the ring.

