

Etat-des-Lieux 3A

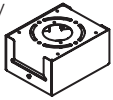
Assembly instructions



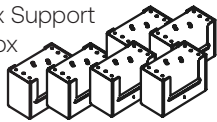
Attention: Read and understand these instructions before installing fixture. This fixture is intended for installation in accordance with National Electric Code and local regulation : to assure full compliance with local code and regulations, check with your local electric inspector before installation. This equipment is guaranteed only when used as indicated in the instructions; therefore they should be kept for future reference. Install where luminaire will be protected from likely damage. This fixture is ceiling mounted only.

Your box should contain

1x Canopy feed box 90 deg



6x Support box



3x Flat cable section



3x Glass module with Flat cable.



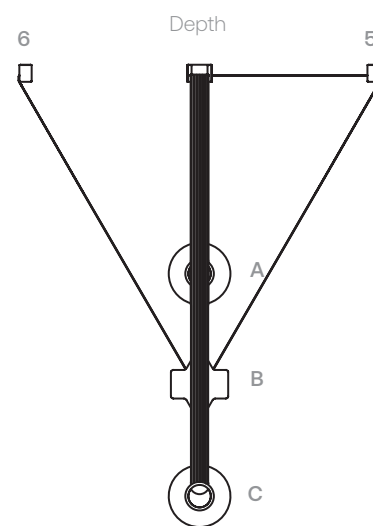
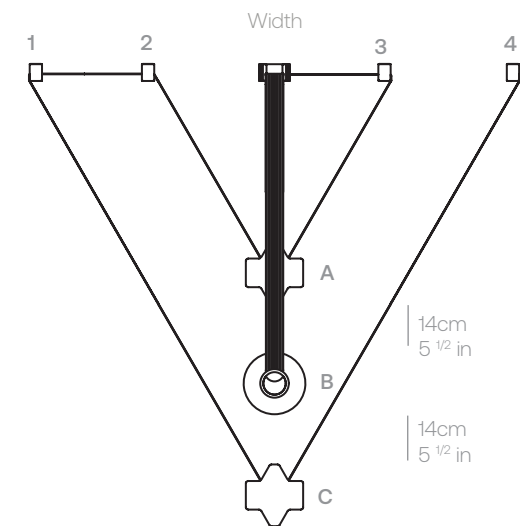
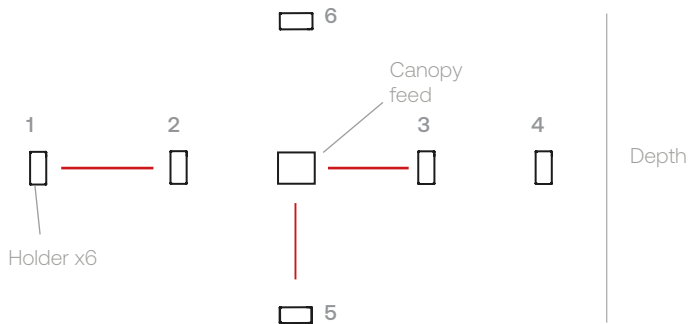
Tools needed, not included

- 2x 8-32 screws for junction box
- 5x wire connectors for junction box
- Screwdriver phillips and flat

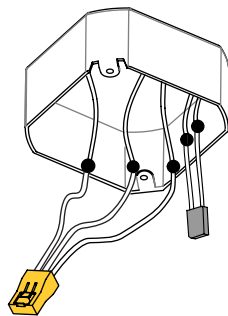
1 Measure, mark and drill appropriate hole distance to mount backplate of canopy feed and canopy to ceiling. Install anchors if needed (not included)

Model	Code	Length	Width	Depth
3A	C	140cm (55in)	106.7cm (42in)	71.6cm (28.2in)
	D	201cm (79in)	157cm (61.8in)	122cm (48in)

*The dimensions are calculated with an angle of 45 deg of strap.



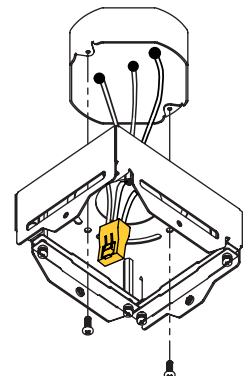
2 Make appropriate connections with wire bundle provided to ceiling wiring. (Shut off main power at the circuit breaker panel)



Ceiling wires	Fixture wires	For 0-10V dimming
Live	Black	
Neutral	White	Purple + 0-10Vdc+
Ground	Green	Grey - Dc -

3 Screw backplate in junction box with screw 2x 8-32 machine screws (not included)

Make sure to install the backplate the side where the strain relief will meet the cable



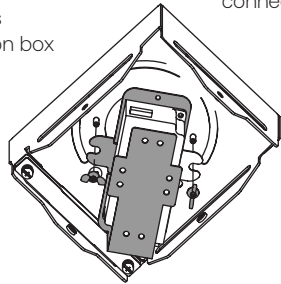
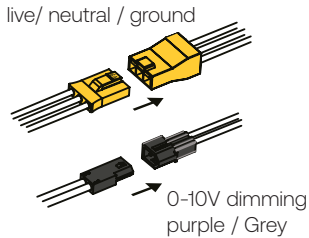
Etat-des-Lieux 3A

Assembly instructions

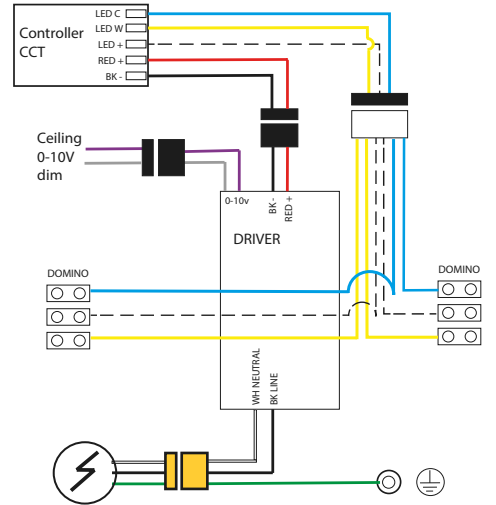
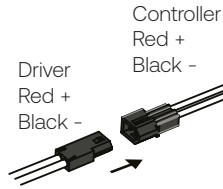


4 4.1 Clip wire connectors

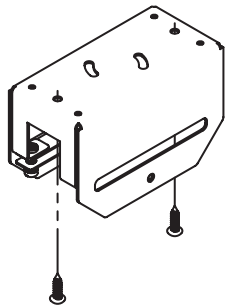
4.2 install driver block with wing nuts provided (push connectors in junction box when installing).



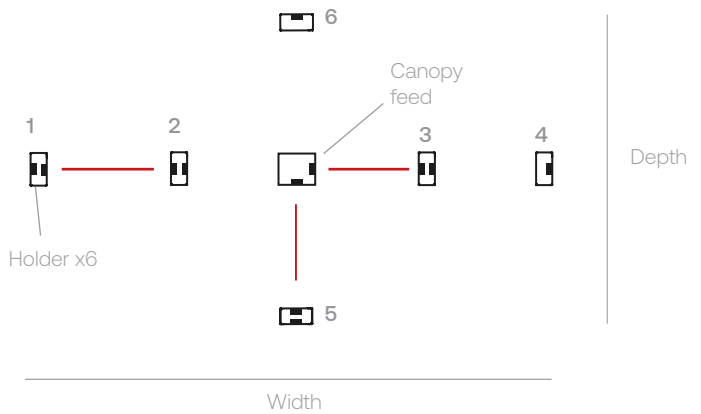
!!Do not connect loose domino connectors yet!!



5 Screw all the support backplate on ceiling. (Screws not included)



Make sure to install the backplate the side where the strain relief will meet the cable

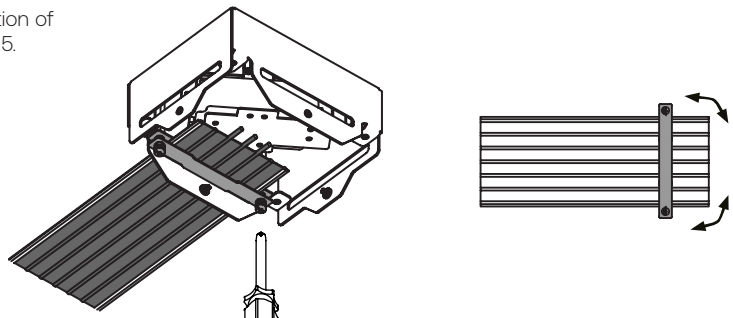


6 6.1 Pass sectioned flat cable in strain relief in canopy in direction of support box 3 and the other one in direction of support box 5. (Loosen captive screws for better passing of cable)

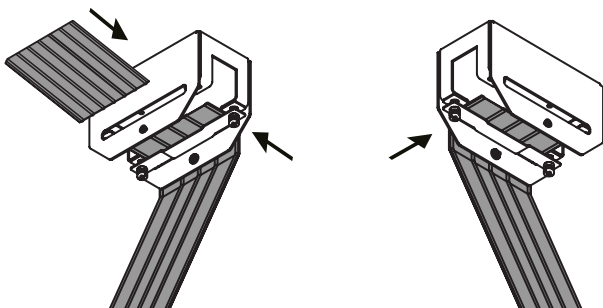
6.2 Screw on each side of cable to retain it in place.

6.3 You can adjust height of luminaire by pushing the cable in canopy.

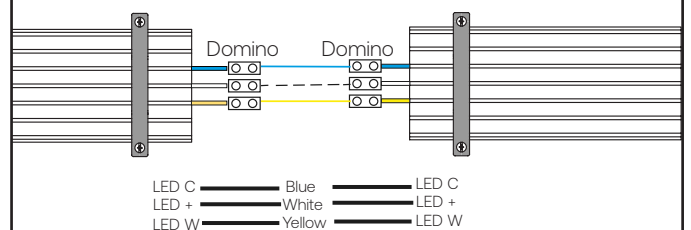
Leveling can be done by making sure the cable is in line in strain relief



7 Repeat cable installation of step 6 starting with module A than B and finally C (Make sure the luminaire is well balanced)



8 In support box 1, 2, 3 & 5 connect loose domino wires from cable to cable

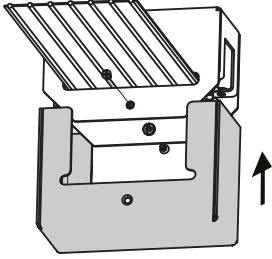


Etat-des-Lieux 3A

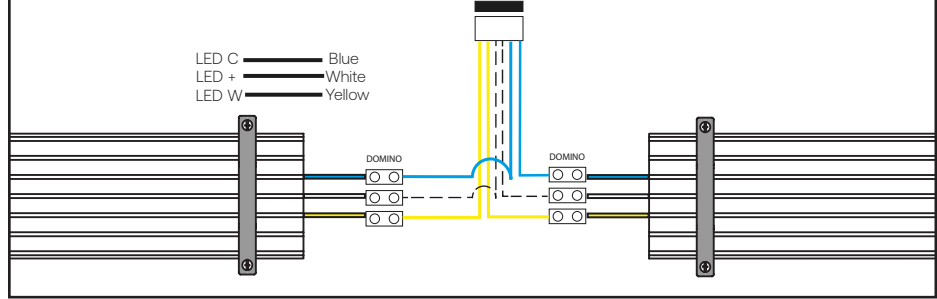
Assembly instructions



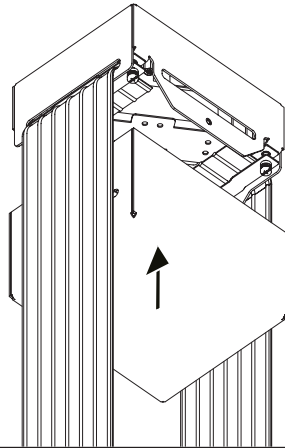
10 Install support covers
Use 2x flat screw provided per support box



11 11.1 Make connections with dominos and flat cables in canopy feed
11.2 Clip connectors together.



12 12.1 Install canopy cover by sliding up and curving slightly the flat cable to pass the cover.



12.2 Screw in place with 2x flat screw provided.
(Lift cable out of the way for better access)

