

Etat-des-Lieux 1B

Assembly instructions



Attention: Read and understand these instructions before installing fixture. This fixture is intended for installation in accordance with National Electric Code and local regulation : to assure full compliance with local code and regulations, check with your local electric inspector before installation. This equipment is guaranteed only when used as indicated in the instructions; therefore they should be kept for future reference. Install where luminaire will be protected from likely damage. This fixture is ceiling mounted only.

Your box should contain

1x Canopy feed box



1x Support box



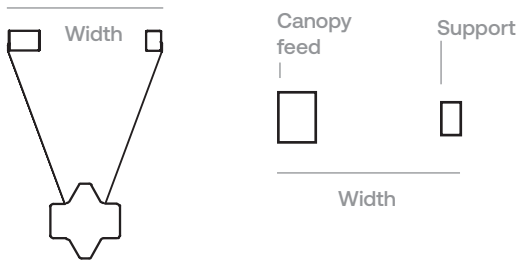
1x Glass module with Flat



Tools needed, not included

- 2x 8-32 screws for junction box
- 5x wire connectors for junction box
- Screwdriver phillips and flat

- 1 Measure, mark and drill appropriate hole distance to mount backplate of canopy feed and support to ceiling. Install anchors if needed (not included)

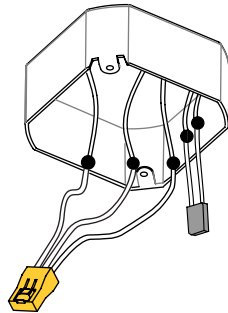


Model	Code	Length	Width	Depth
1B	A	61cm (24in)	41.7cm (16.4in)	
	B	89cm (35in)	59cm (23 1/4in)	28cm (11in)
	C	112cm (44in)	78cm (30 3/4in)	
	D	201cm (79in)	151.6cm (59.7in)	

*The dimensions are calculated with an angle of 45 deg of strap.

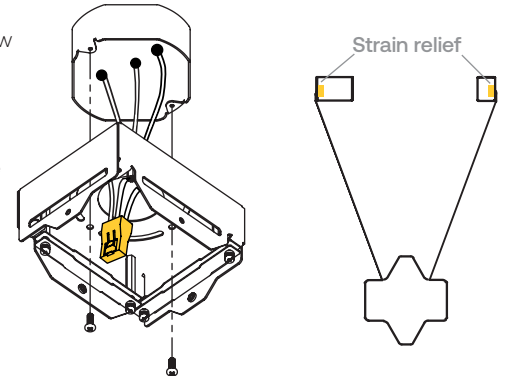
- 2 Make appropriate connexions with wire bundle provided to ceiling wiring. (Shut off main power at the circuit breaker panel)

Ceiling wires	Fixture wires	For 0-10V dimming
Live	Black	Purple + 0-10Vdc+
Neutral	White	Grey - Dc -
Ground	Green	



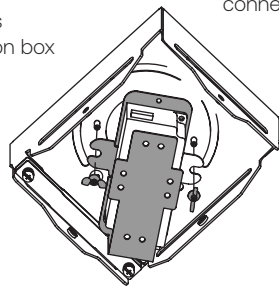
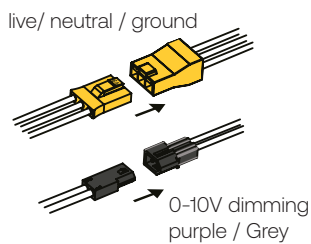
- 3 Screw backplate in junction box with screw 2x 8-32 machine screws (not included)

Make sure to install the backplate the side where the strain relief will meet the cable

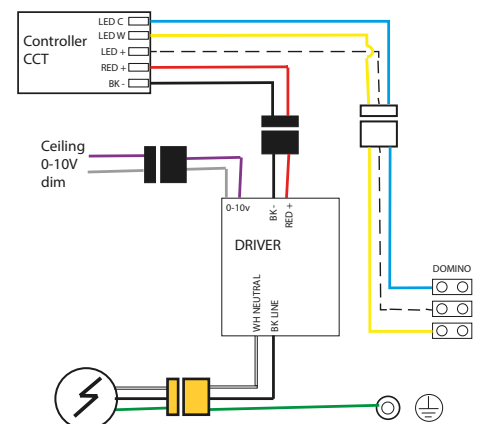
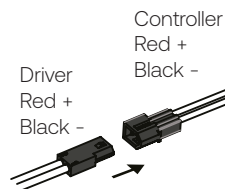


- 4 3.1 Clip wire connectors

3.2 install driver block with wing nuts provided (push connectors in junction box when installing.



!!Do not connect loose domino connector yet!!

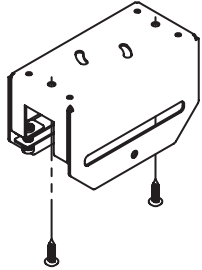


Etat-des-Lieux 1B

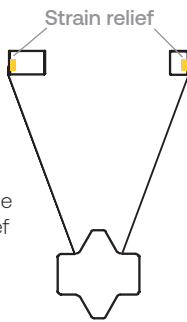
Assembly instructions



5 Screw support backplate on ceiling
(Screws not included)



Make sure to install the backplate the side where the strain relief will meet the cable

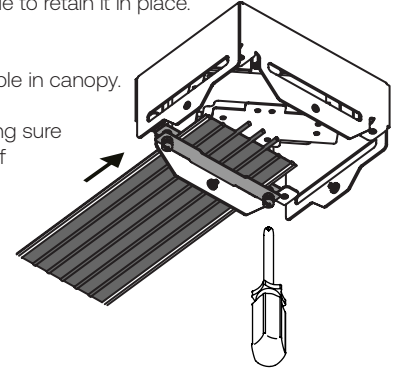
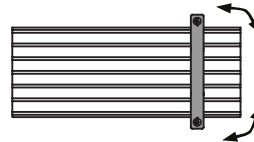


6 6.1 Pass Flat cable in strain relief in canopy and screw in place (Loosen captive screws for better passing of cable)

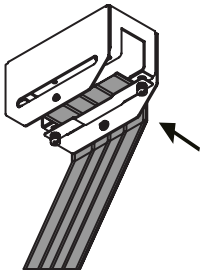
6.2 Screw on each side of cable to retain it in place.

6.3 You can adjust height of luminaire by pushing the cable in canopy.

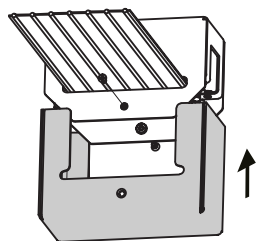
Leveling can be done by making sure the cable is in line in strain relief



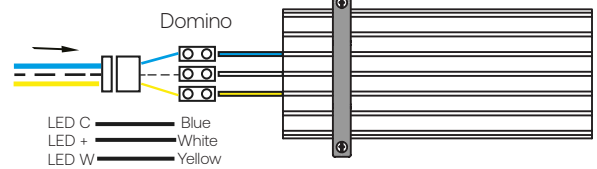
7 Repeat cable installation of step 6 with support.



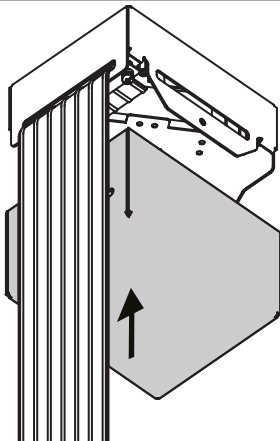
8 Install canopy cover.
Use 2x flat screw provided



9 9.1 Make connections with domino and flat cable in canopy
9.2 Clip white connectors together.



6 6.1 Install canopy cover by sliding up and curving slightly the flat cable to pass the cover.



6 6.2 Screw in place with 2x flat screw provided.
(Lift cable out of the way for better access)

