

ETAT DES LIEUX 1A

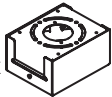
Assembly instructions



Attention: Read and understand these instructions before installing fixture. This fixture is intended for installation in accordance with National Electric Code and local regulation : to assure full compliance with local code and regulations, check with your local electric inspector before installation. This equipment is guaranteed only when used as indicated in the instructions; therefore they should be kept for future reference. Install where luminaire will be protected from likely damage. This fixture is ceiling mounted only.

Your box should contain

1x
Canopy
feed box



1x Glass
module
with Flat

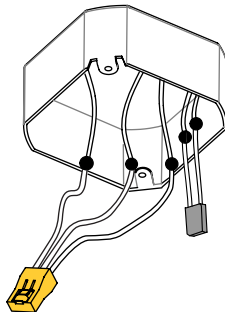


Tools needed, not included

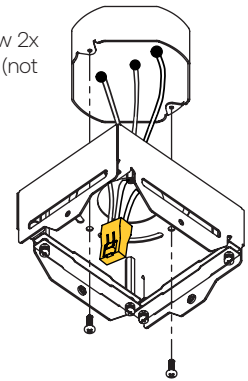
-2x 8-32 screws for junction box
-3x wire connectors for junction box
-Screwdriver phillips and flat

- 1 Make appropriate connections with wire bundle provided to ceiling wiring. (Shut off main power at the circuit breaker panel)

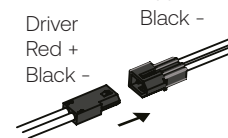
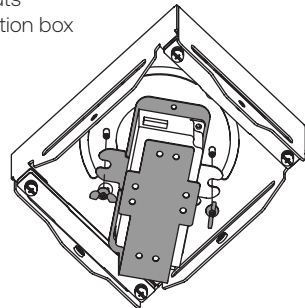
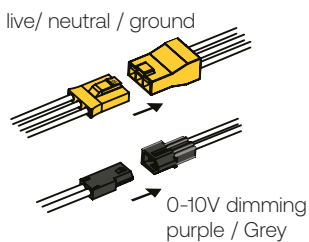
Ceiling wires	Fixture wires	For 0-10V dimming
Live	Black	
Neutral	White	Purple + 0-10Vdc+
Ground	Green	Grey - Dc -



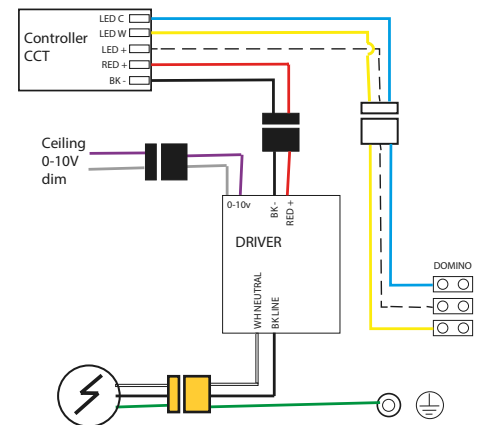
- 2 Screw backplate in junction box with screw 2x 8-32 machine screws (not included)



- 3.1 Clip wire connectors
3.2 install driver block with wing nuts provided (push connectors in junction box when installing.



!!Do not connect loose domino connector yet!!

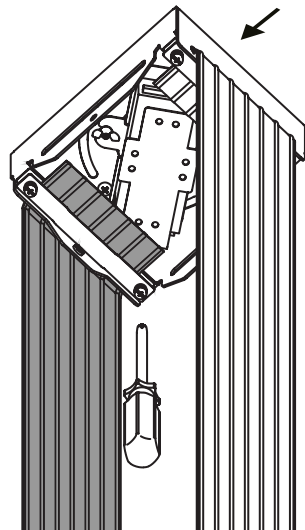
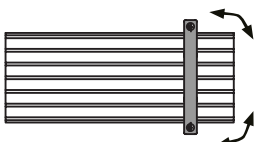


- 4.1 Pass Flat cable in strain relief in canopy and screw in place (Loosen captive screws for better passing of cable)

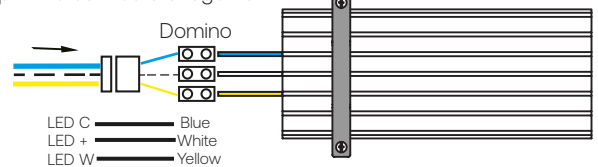
4.2 Screw on each side of cable to retain it in place.

4.3 You can adjust height of luminaire by pushing the cable in canopy.

Leveling can be done by making sure the cable is in line in strain relief



- 5.1 Make connections with domino and flat cable with flat screwdriver
5.2 Clip white connectors together.



- 6.1 Install canopy cover by sliding up and curving slightly the flat cable to pass the cover.

6.2 Screw in place with 2x flat screw provided. (Lift cable out of the way for better access)

