

FLOS

Snoopy Green - Specification Sheet

by Achille and Pier Giacomo Castiglioni, 1967

Mounting	Table Top
Lamp (Bulb) Description	1 X 72W BT-15 ECO Halogen (Included)
Environment	Indoor - Dry Location
Dimming	Dimmable
Finish	Green
Technical and Product Description	Achille and Pier Giacomo Castiglioni's tribute to a beloved cartoon character continues to captivate. The Snoopy table lamp, first released in 1967, features a curved aluminum reflector that delicately perches on a tilted Carrara marble base. Speaking to the designers' sense of whimsy, the light's silhouette draws resemblance to a beagle in profile.

The iconic design enters the next half-century of its enduring legacy with a green hue that highlights the design's inherently playful nature. Available for the first time in the United States, the brilliant glossy finish draws attention to the light's striking geometric form, which is accented by three cooling holes that resemble a bowling ball.

The Snoopy table lamp is available in a black, green, and limited-edition black matte finish. The design provides direct light through its enameled reflector and glass disk and is operated by an internal dimmer and switch.

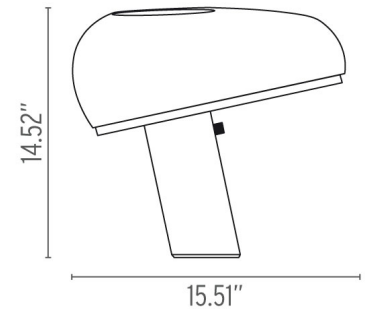
Inspiration behind the design:

The Castiglioni brothers looked to one of the world's most endearing characters for this 1967 table lamp design featuring a beagle-like shade. A new green finish enters the U.S. market in 2018.



● FU638039 Green

Dimensional Image



Electrical

Voltage	120
Switching	Touch-sensor dimmer
IP Rating	IP20

Physical

Construction Material	Aluminum, Glass, Injection-molded polycarbonate
Weight	17.41 lbs

Certifications



Lamping (Bulb)



72W BT-15 ECO Halogen

