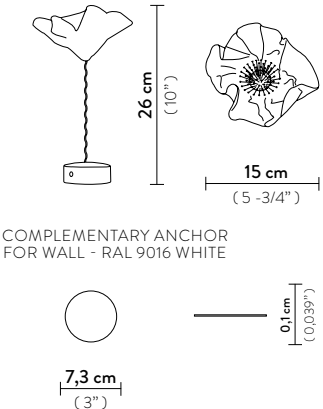

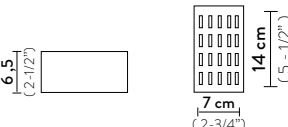


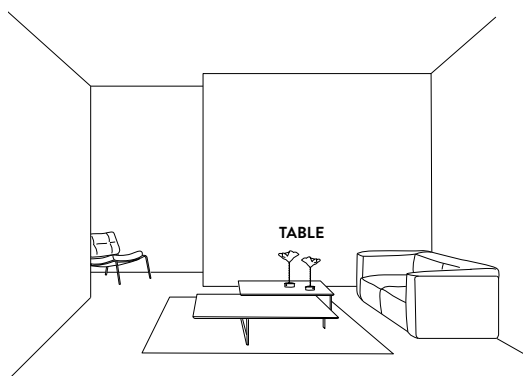
# LAFLEUR BATTERY

design by Marc Sadler



Compendium page 252 +  
Battery Lamps Catalogue May 2021

PRODUCT / PRODOTTO	DIMENSIONS / MISURE	COLOUR / COLORE	CODE / CODICE
<b>TABLE LAMP</b> <b>LED:</b> 1.3 W dimmable LED – 150 Lumen 2700 Kelvin - Rechargeable Li-ion Polymer Cell 3.7 Vdc 2500 mAh Charge 5 Vdc 1 A <b>Battery duration:</b> at max. intensity around 6,5 hours duration, at min. intensity around 60 hours duration <b>With:</b> USB/ DC plug included Magnetic base and complementary anchor <b>Made of:</b> Lentiflex® / Copper wires <b>Weight:</b> net Kg 0,2 - gross Kg 0,6 <b>Package:</b> 19 x 19 x h 35 cm	 <p>COMPLEMENTARY ANCHOR FOR WALL - RAL 9016 WHITE</p>	<input type="checkbox"/> PRISMA	LAF97TAVB000LE000
		<input checked="" type="checkbox"/> VELVET	LAF97TAVB000LCY00
<b>ADDITIONAL LARGE MAGNETIC ANCHOR DISC</b> RAL 9016 WHITE To be placed under a tablecloth or other fabric covering		<input type="checkbox"/> WHITE	ACC00TAV0003W_LAF
<b>USB MULTICHARGER STATION 20 PORTS</b> <b>With:</b> 20 USB, wire 1,50 m fan automatic heat dissipation <b>Weight:</b> net Kg 0,49 - gross Kg 0,53 <b>Package:</b> 15,5 x 15,5 x h. 7cm			ACC00CHAP020_000

## LAFLEUR ENTIRE COLLECTION



## CERTIFICATION

CE IP 20  

ENERGY CLASS: A / A+ / A++

ENERGY LABEL AVAILABLE ON SLAMP'S WEBSITE

## FINISHES



PRISMA  
WITH WHITE MAT BASE



VELVET  
WITH BLACK MAT BASE