

喜得燈飾設計股份有限公司  
喜的精品燈飾股份有限公司

SEED LIGHTING DESIGN CO., LTD

---

242 台灣新北市新莊區瓊林南路 73-31 號  
73-31, Qionglin S. Rd., Xinzhuang District, New Taipei City 242, Taiwan

Tel. +886 2 2204 6650 Fax. +886 2 2204 6541

[service@seedlighting.com](mailto:service@seedlighting.com)

[www.SeedDesign.tw](http://www.SeedDesign.tw)

 SeedDesign 喜的精品燈飾

 SEEDDESIGN

*light of smile*



## WARNING BEFORE OPERATION ON THE FIXTURE:

Read these instructions and ensure the lamp is not connected to any power supply before installation. SEED LIGHTING DESIGN CO., LTD. (SEEDDESIGN) guarantees the fixture only if you follow appropriately these instructions, which must be well kept for future cares.

- This warranty does not cover damage resulted from misuse or abuse, lack of reasonable care, loss of parts or subjecting the fixture to any electrical service other than specified for proper use.
- The fixture MUST NOT be modified in any way. Any modification may turn the fixture into dangerous. SEEDDESIGN declines all responsibility for modified products.
- Replacing bulbs must be of the same type, voltage and wattage as specified in these instructions.
- If the fixture does not work: (1) turn off power supply and check all wire connections; (2) check fuse or circuit breaker and have a qualified electrician replace if necessary; (3) ensure light bulb is in working order.
- It is important to note that some pieces vary in shape and color from one to another, as they are mouth-blown glass. Those differences are not imperfection; rather they guarantee that the glass is handcrafted.

## LIMITED WARRANTY

- SEED LIGHTING DESIGN CO., LTD. warrants against defects in materials or workmanship for a period of two years from date of purchase for use, and agrees to repair or at our option replace a defective unit without charge.
- SEEDDESIGN reserves the right to introduce all changes required for the improvement of the present product at any time and without prior notice.

## CLEAN AND MAINTENANCE

【Metal】:

- Clean off the surface gently by duster sheet.
- Wipe in the same direction with wrunged, moist cloth.
- Use a soft dry cloth to dry off the shade in case of water stain.

【Glass】:

- Wipe in the same direction by wrunged, moist cloth
- If necessary, take off the shade carefully and wash by water, a bit of neutral detergent would be fine.
- Dry off by soft dry fabric or duster sheet.

【Concrete】:

- Clean off the shade by feather duster or dry fabric slightly and regularly.
- When wet cleaning is necessary, wipe the shade with a wet fabric to maintain original appearance evenly.

**Attention: Do NOT use dry fabric to wipe off the dust incase surface scratch. Do Not use solvents or chemicals, especially abrasive cleaner to clean SEED items!**



## 安裝注意事項及保固內容

- 安裝或組裝產品前，請詳細閱讀本說明書並確保電源已關閉，以免危險。
- 任何（但不限於）對產品之不當使用、濫用、因天災或人為因素造成之損壞、未經喜得同意之維修、拆裝或修改等，不在喜得燈飾設計股份有限公司（以下簡稱「喜得」）提供之保固範圍內。
- 更換燈泡時，請務必遵照本說明書上所示之燈泡規格、電壓及瓦特數限制。
- 燈具不正常運作或不亮時，(1)請檢查燈泡是否正確運作；(2)請關掉電源並檢查所有電線是否正確連接；(3)檢查保險絲或無熔絲開關是否正常，必要時，請合格電工（或洽本公司）進行更換。
- 喜得所提供的產品，因多由手工技藝所產製，個體之間偶有些微形狀與顏色上的差異但並非瑕疵，例如手工口吹玻璃。
- 喜得提供產品材料及工藝上之兩年保固（自購買日起），並承諾保固期內視產品情況，提供免費維修或更換瑕疵產品（燈泡等耗材類配件除外）。
- 喜得燈飾設計股份有限公司保留為產品進行任何變更且無需提前通知之權利。

## 保養清潔方式

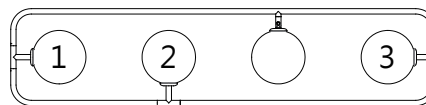
- 【金屬材質】  
請用除塵軟布輕拭附著的灰塵後，以擰乾的微濕布順同方向擦拭，再取柔軟乾布輕輕指乾。
- 【玻璃材質】  
取微濕軟布擰乾（避免殘留水漬），順同方向擦拭。必要時請小心卸下，直接水洗。或在水中加入少許中性清潔劑，充分沖洗乾淨後，再以材質細密的乾布或除塵布拭乾。
- 【水泥材質】  
定期用毛擰子或乾布輕輕擰掉表面灰塵，必要時以濕布擦拭整顆燈罩，以維持顏色一致性。  
**特別注意：直接以乾布擦拭，表面塵粒可能造成細微刮傷。切勿使用化學揮發溶劑或含有研磨顆粒的清潔劑擦拭產品表面！**

## Step 05

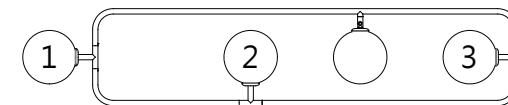
Use the status reference diagram

使用狀態參考圖

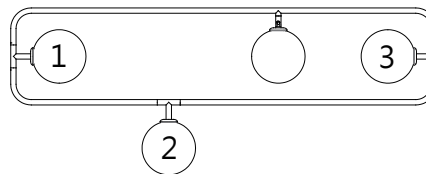
初始狀態



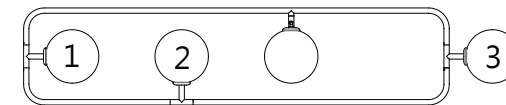
A. 展開燈罩1



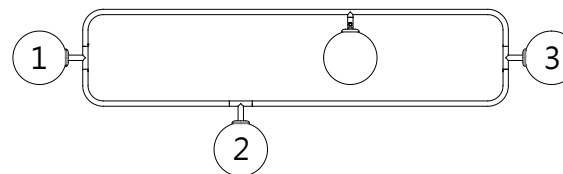
B. 展開燈罩2



C. 展開燈罩3

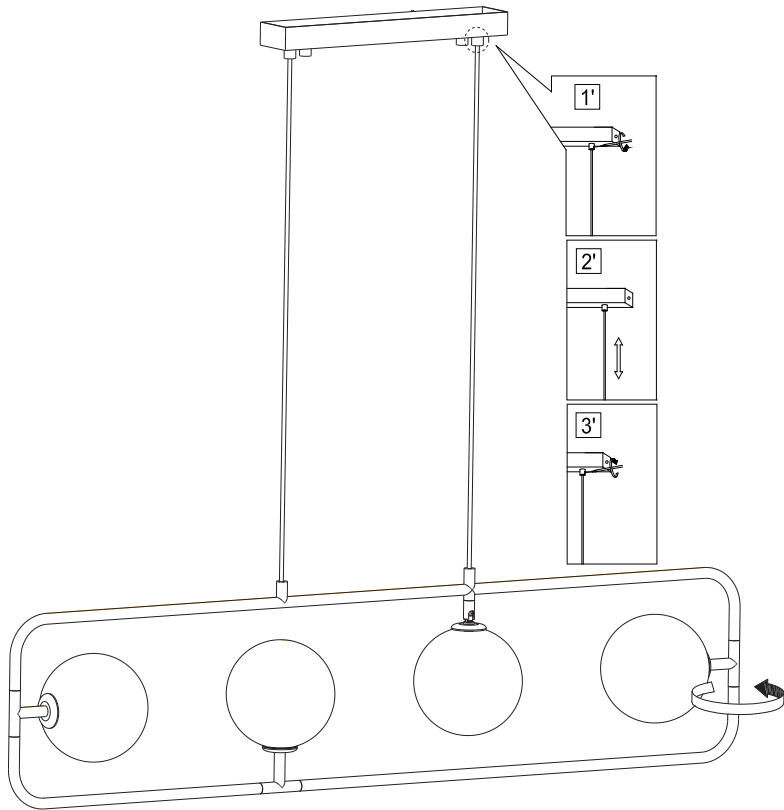


D. 燈罩全展開



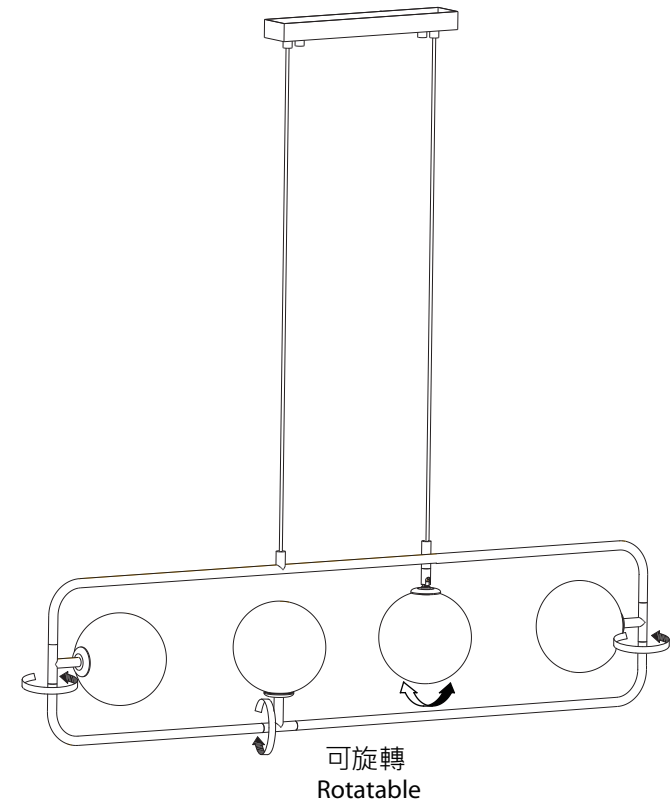
Additional attention: adjusting wire length

補充說明：調整線長



Parts List

內容物清單



Product 商品 : Sircle PH4  
Code 型號 : SG-140PH4  
Bulb Type 燈泡 : G9 LED 4x5W 2700K  
Input Voltage 輸入電壓 : 120V~ 60Hz

In Parts Bag  
零件包內容



x4



x4

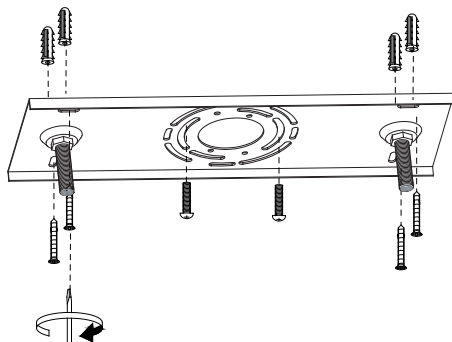


x2

### Step 01

Take off the internal bracket from the canopy. Fix the bracket on the ceiling. Ensure you use the correct type of wall plug for the material you are drilling into.

取下壁鐵，將壁鐵固定在欲安裝之天花板上。



### Step 02

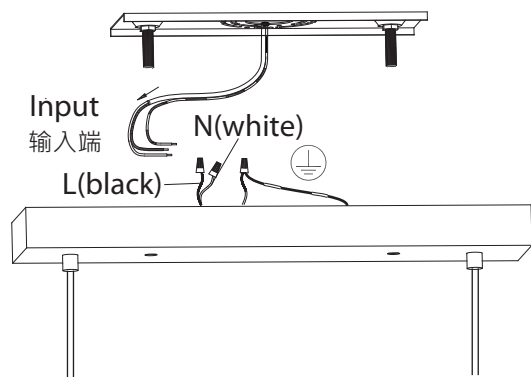
Hook on the steel wire between the bracket and lighting fixture.

Ensure power is switched off!

Connect the main supply cables to the corresponding cables on the light.

鉤上鋼絲線。

確認電源已關閉後，再連接主電源線與燈具電源線。



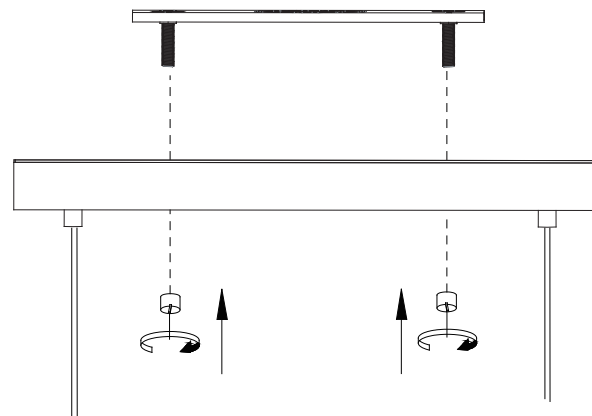
**\* It is recommended that a qualified electrician connects the power in this step.**

此步驟建議由合格電工操作。

### Step 03

Tighten the nuts.

鎖上固定帽



### Step 04

Put on adapted bulb and glass shade

裝上燈泡&玻璃燈罩

