



喜得燈飾設計股份有限公司  
喜的精品燈飾股份有限公司  
SEED LIGHTING DESIGN CO., LTD.

242 台灣 新北市 新莊區 瓊林南路 73-31 號  
73-31, Qionglin S. Rd., Xinzhuang District, New Taipei City 242, Taiwan

Tel. +886 2 2204 6650 Fax. +886 2 2204 6541

service@seedlighting.com  
www.SeedDesign.tw

 SeedDesign 喜的精品燈飾

# OLO

---

PENDANT

Installation Manual

安裝使用說明書





## **WARNING BEFORE OPERATION ON THE FIXTURE:**

Read these instructions and ensure the lamp is not connected to any power supply before installation. SEED LIGHTING DESIGN CO., LTD. (SEEDDESIGN) guarantees the fixture only if you follow appropriately these instructions, which must be well kept for future cares:

- This warranty does not cover damage resulted from misuse or abuse, lack of reasonable care, loss of parts or subjecting the fixture to any electrical service other than specified for proper use.
- The fixture **MUST NOT** be modified in any way. Any modification may turn the fixture into dangerous. SEEDDESIGN declines all responsibility for modified products.
- Replacing bulbs must be of the same type, voltage and wattage as specified in these instructions. If the fixture does not work: (1) turn off power supply and check all wire connections; (2) check fuse or circuit breaker and have a qualified electrician replace if necessary; (3) ensure light bulb is in working order
- It is important note that some pieces vary in shape and color from one to another, as they are mouth-blown glass. Those differences are not imperfection; rather they guarantee that the glass is handcrafted.
- The warranty does not cover the surface of copper and brass plating, which the surface may be affected by temperatures, humidity, salt or the level or maintenance, unless there is a loss of structural integrity on the parts.

## **LIMITED WARRANTY**

- SEEDDESIGN warrants against defects in materials or workmanship for a period of two years from date of purchase for use, and agrees to repair or at our option replace a defective unit without charge.
- SEEDDESIGN reserves the right to introduce all changes required for the improvement of the present product at any time and without prior notice.

## **CLEAN AND MAINTENANCE**

### **[ Metal ]**

- Clean off the surface gently by duster sheet.
- Wipe in the same direction with wrung, moist cloth.
- Use a soft dry cloth to dry off the shade in case of water stain.

### **[ Glass ]**

- Wipe in the same direction by wrung, moist cloth.
- If necessary, take off the shade carefully and wash by water, a bit of neutral detergent would be fine.
- Dry off by soft dry fabric or duster sheet.

### **[ Concrete ]**

- Clean off the shade by feather duster or dry fabric slightly and regularly.
- When wet cleaning is necessary, wipe the entire shade with a wet fabric to maintain original appearance evenly.

## **ATTENTION:**

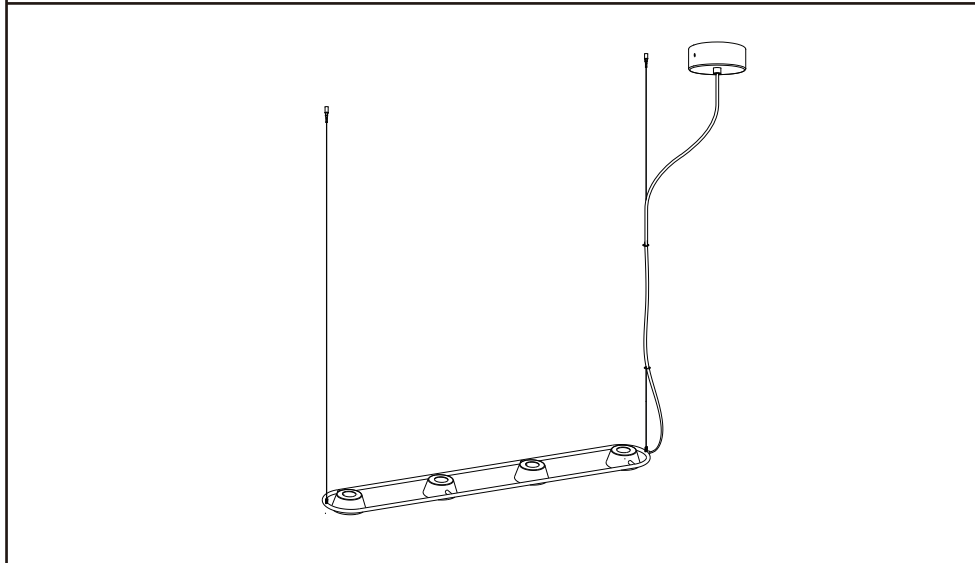
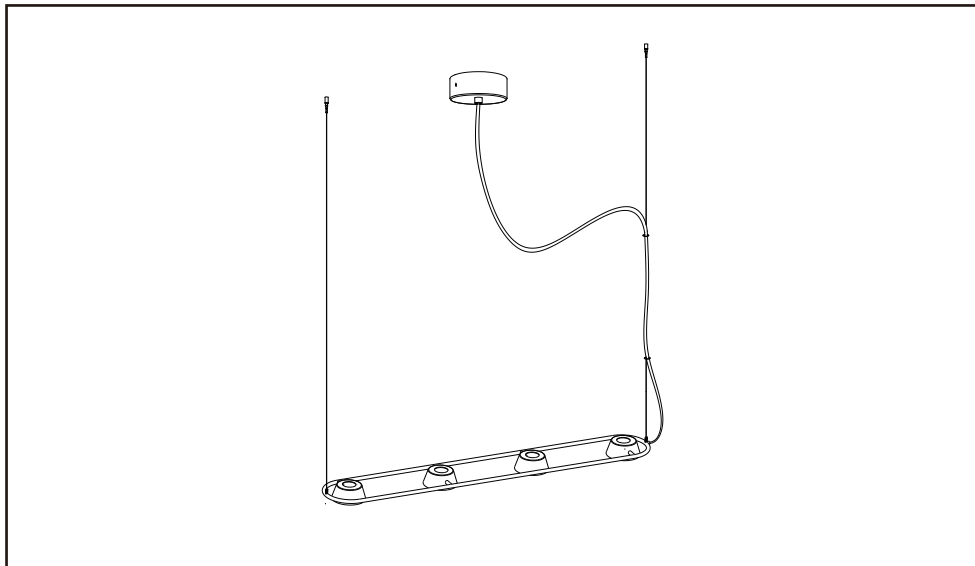
**Do NOT use dry fabric to wipe off the dust incase surface scratch.**

**Do Not use solvents or chemicals, especially abrasive cleaner to clean SEED items!**

# 05

Assembly completed!

安裝完成



## 安裝注意事項及保固內容

安裝或組裝產品前，請詳細閱讀本說明書並確保電源關閉，以免危險。

喜得燈飾設計股份有限公司 / 喜的精品燈飾股份有限公司 (以下簡稱「喜的」) 僅在您正確遵守以下保固內容說明的情況下才能保證產品之安全，請務必遵循並妥善保管：

- 本保固不包含任何對產品之不當使用、濫用、零件丟失、缺乏合理的保養清潔方式或天災等不可抗力因素造成之損壞。
- 不得以任何方式修改燈具，進行任何改裝都可能造成燈具危險，喜的拒絕承擔因改裝產品的所有責任。更換燈泡時，請務必遵照本說明書上所示之燈泡規格、電壓及瓦特數限制。
- 燈具不正常運作或不亮時：(1) 請檢查燈泡是否正常運作；(2) 請關掉電源並檢查所有電線是否正確連接；(3) 檢查保險絲或無熔絲開關是否正常。必要時，請合格電工（或與喜的總公司或授權經銷商聯絡）進行更換。
- 手工藝之產品個體之間存在著形狀、大小、重量、顏色等差異（例如手工口吹玻璃、水泥），這些差異並非瑕疵，反而是證明為手工製作的表徵，不在瑕疵範圍內。
- 銅電鍍產品因金屬活性易氧化，表面塗有透明保護漆已隔絕空氣，因此可能有細微紋路、斑點或顆粒，屬於銅電鍍過程中無可避免的自然現象，不在瑕疵範圍內。

## 產品有限保固

喜的保證自購買之日起2年內，產品之材料、性能或工藝方面無瑕疵，並同意免費維修或更換有缺陷的零配件。

喜的保留為產品進行任何產品優化所需之變更且無需提前通知之權利。

## 保養清潔方式

### 【金屬材質】

請用除塵軟布輕拭附著的灰塵後，以擰乾的微濕布順同方向擦拭，再取柔軟乾布輕輕揩乾。

### 【玻璃材質】

取微濕軟布擰乾（避免殘留水漬），順同方向擦拭。必要時請小心卸下、直接水洗。或在水中加入少許中性清潔劑，充分沖洗乾淨後，再以材質細密的乾布或除塵布拭乾。

### 【水泥材質】

定期用毛掸子或乾布輕輕擰掉表面灰塵，必要時以濕布擦拭整顆燈罩，以維持顏色一致性。

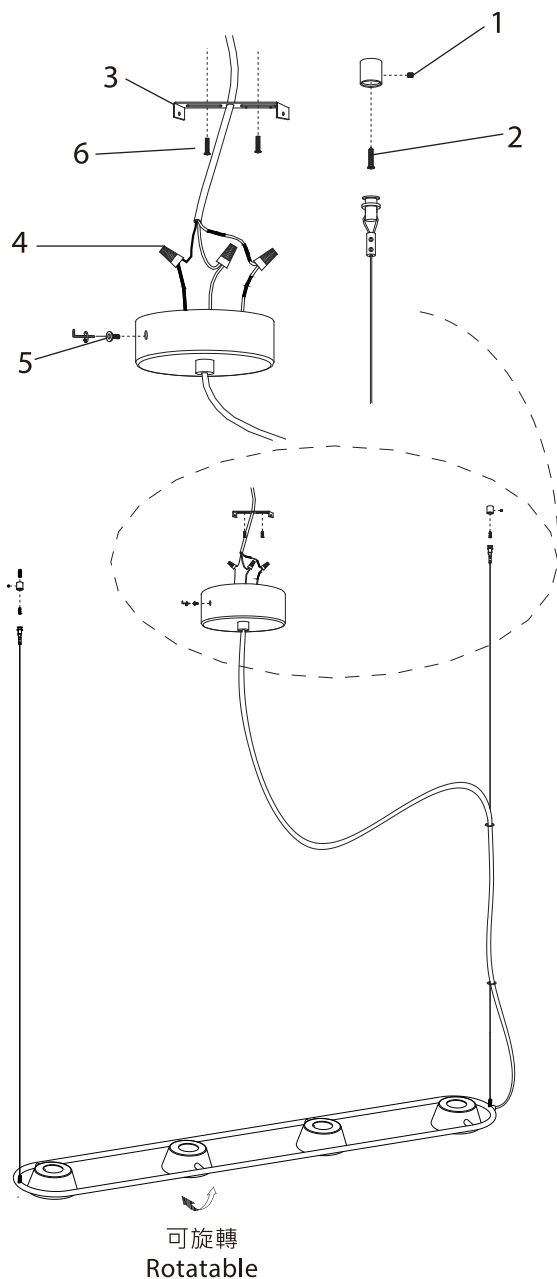
## 特別注意

請勿以乾布擦拭灰塵，因可能造成燈具表面細微刮傷。

請勿使用溶劑或化學品，尤其是研磨性清潔劑來清潔喜的產品！


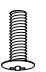
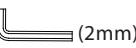
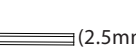
# ITEM LIST

# 04



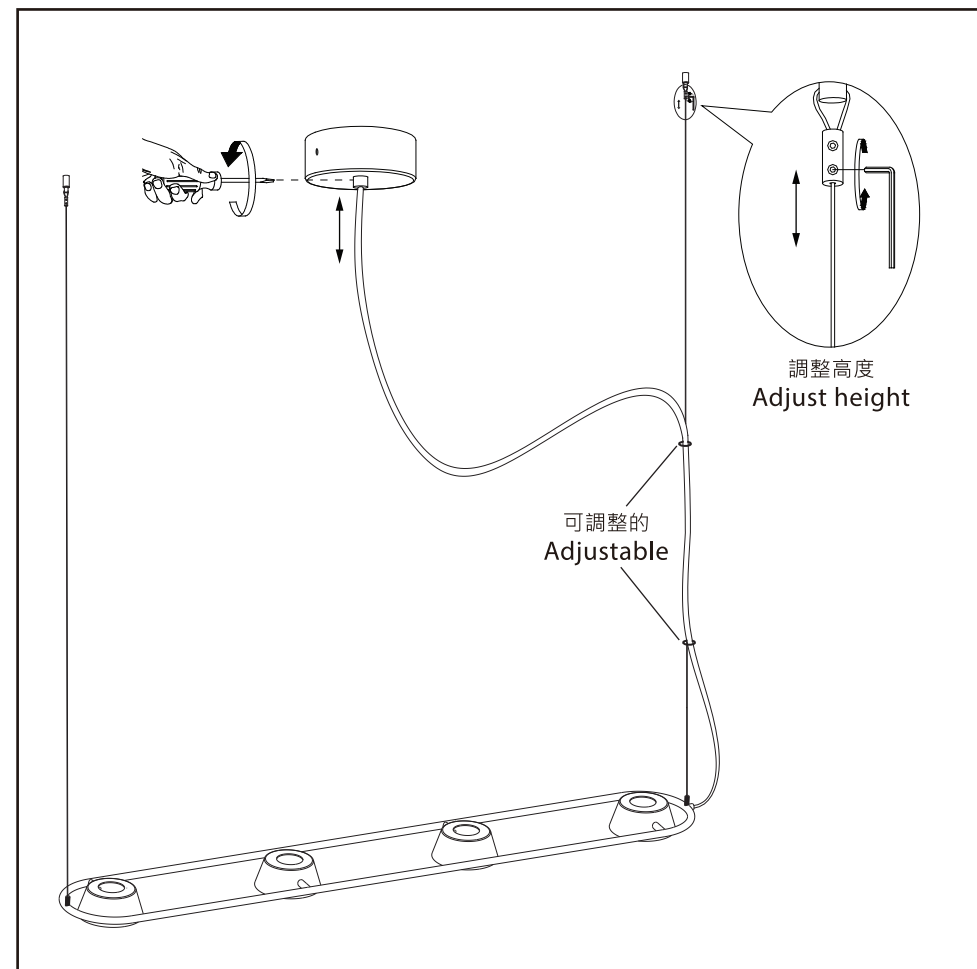
Product 商品：OLO PL4  
 Code 型號：SLD-130PL4  
 Bulb Type 燈泡：LED 4 x Max. 6.5W  
 Input Voltage 輸入電壓：120V / 60Hz

### 零件包內容 In Parts Bag

- |   |   |    |
|---|---|----|
| 2 |  | x2 |
| 6 |  | x2 |
| 7 |  | x1 |
| 8 |  | x1 |

Adjust the cord and steel wires length on demand. Ensure the two steel wires hang the lamp body, and the cord should **NOT** be tense.

根據高度需求，調整電線及鋼絲線長，並確保燈體重量落在鋼絲線上，電線不可拉過緊。

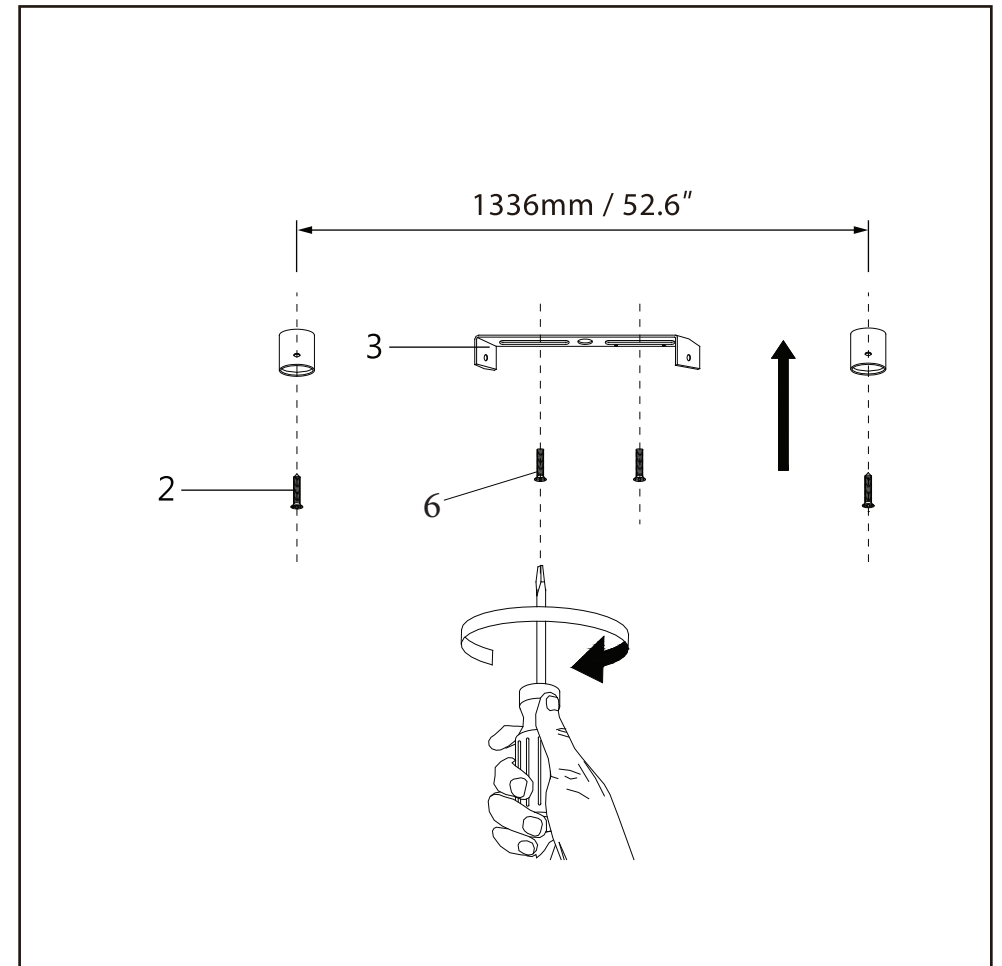
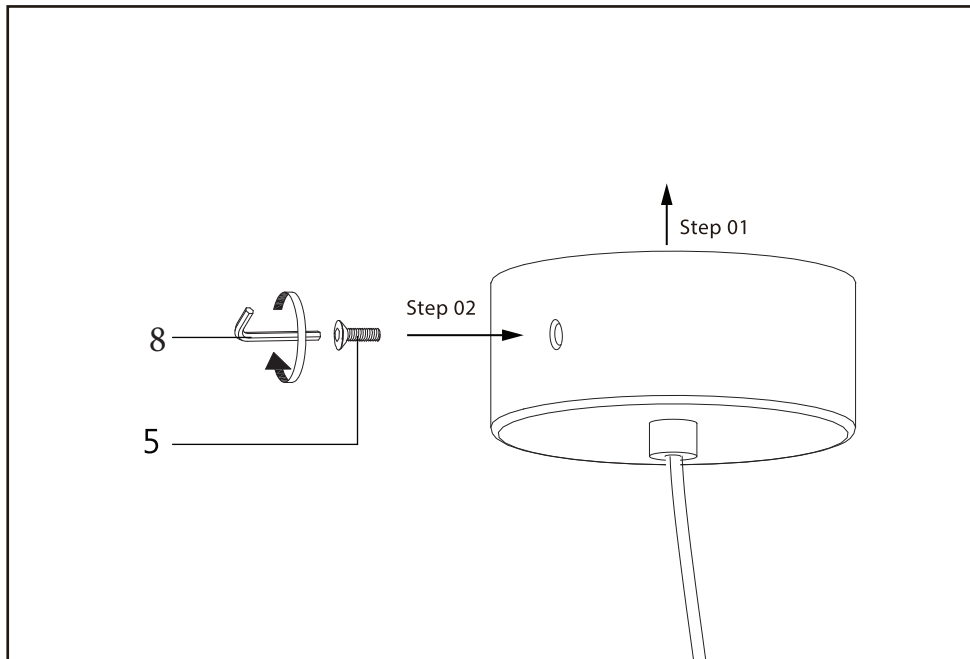


Take off the internal bracket from the canopy and the hanger bases from two steel wires. Fix the bracket and hanger base on the ceiling. The center distance between two hangers is 1336 mm / 52.6 inches.

\*Ensure you use the correct type of wall plug for the material you are drilling into!

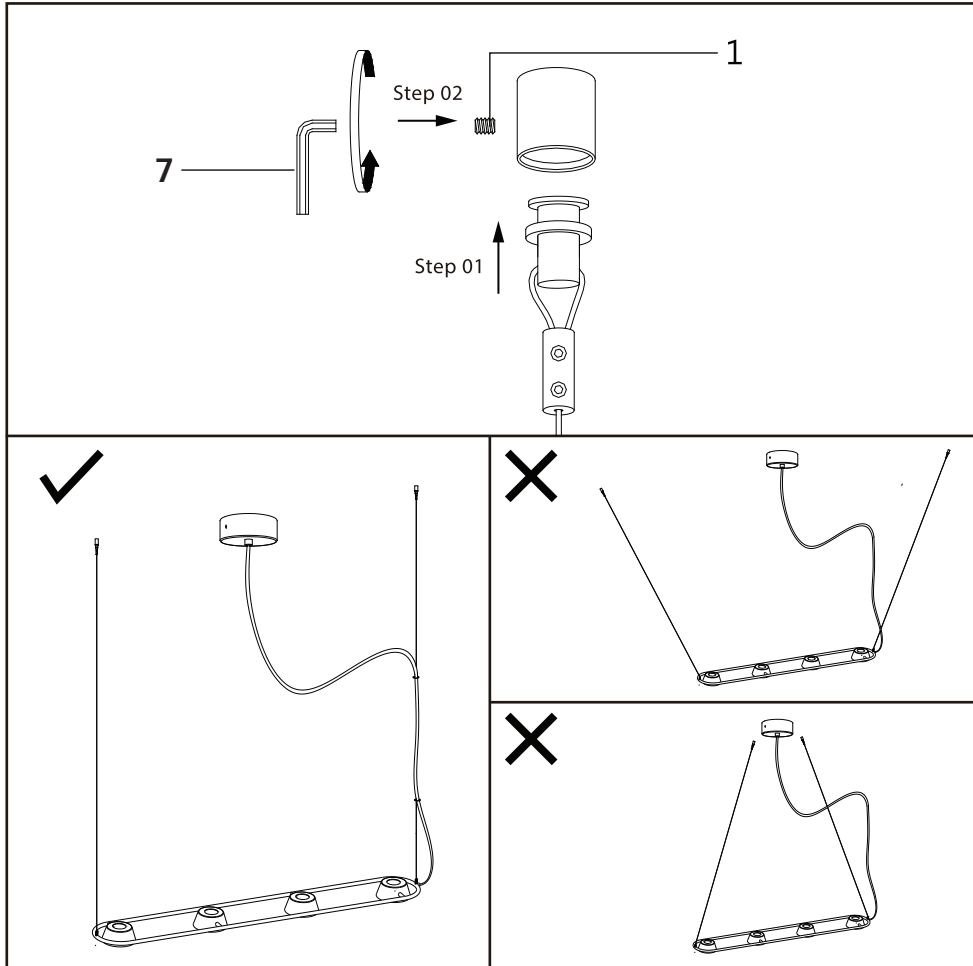
取下壁鐵及兩條鋼絲線之固定座，並將壁鐵及固定座鎖入欲安裝之天花板上  
兩條鋼絲線之中心距為1336 mm / 52.6 英吋。

\*請根據壁面材質，使用正確的牆塞。



Screw the two steel wires in hanger bases, keep the two steel wires parallel.

將兩條鋼絲線鎖入固定座，確保兩條鋼絲線平行垂吊。



### Ensure Power is switched off!

Connect the main supply cables to the corresponding cables on the light. And screw on the canopy.

\* It is recommended that a qualified electrician connects the power in this step.

### 確認電源已關閉！

連接主電源線與燈具電源線，再裝上壁蓋並鎖緊。

\*此步驟建議由合格電工操作。

