

喜得燈飾設計股份有限公司
喜的精品燈飾股份有限公司

SEED LIGHTING DESIGN CO., LTD

242 台灣新北市新莊區瓊林南路 73-31 號
73-31, Qionglin S. Rd., Xinzhuang District, New Taipei City 242, Taiwan

Tel. +886 2 2204 6650 Fax. +886 2 2204 6541

service@seedlighting.com

www.SeedDesign.tw

 SeedDesign 喜的精品燈飾

 **SEEDDESIGN**



WARNING BEFORE OPERATION ON THE FIXTURE:

Read these instructions and ensure the lamp is not connected to any power supply before installation. SEED LIGHTING DESIGN CO., LTD. (SEEDDESIGN) guarantees the fixture only if you follow appropriately these instructions, which must be well kept for future cares.

- This warranty does not cover damage resulted from misuse or abuse, lack of reasonable care, loss of parts or subjecting the fixture to any electrical service other than specified for proper use.
- The fixture MUST NOT be modified in any way. Any modification may turn the fixture into dangerous. SEEDDESIGN declines all responsibility for modified products.
- Replacing bulbs must be of the same type, voltage and wattage as specified in these instructions.
- If the fixture does not work: (1) turn off power supply and check all wire connections; (2) check fuse or circuit breaker and have a qualified electrician replace if necessary; (3) ensure light bulb is in working order.
- It is important to note that some pieces vary in shape and color from one to another, as they are mouth-blown glass. Those differences are not imperfection; rather they guarantee that the glass is handcrafted.

CLEAN AND MAINTENANCE

- Ensure the power supply has been turned off before cleaning products.
- Clean with a soft damp cloth and mild detergent if necessary.
- Never use any alcoholic solvent or abrasive detergent to clean the fixture.
- Wipe with dry clothes may harm the lampshade.
- Frequent maintenance keeps products neat.

LIMITED WARRANTY

- SEED LIGHTING DESIGN CO., LTD. warrants against defects in materials or workmanship for a period of two years from date of purchase for use, and agrees to repair or at our option replace a defective unit without charge.
- SEEDDESIGN reserves the right to introduce all changes required for the improvement of the present product at any time and without prior notice.



安裝注意事項及保固內容

- 安裝或組裝產品前，請詳細閱讀本說明書並確保電源已關閉，以免危險。
- 任何（但不限於）對產品之不當使用、濫用、因天災或人為因素造成之損壞、未經喜得同意之維修、拆裝或修改等，不在喜得燈飾設計股份有限公司（以下簡稱「喜得」）提供之保固範圍內。
- 更換燈泡時，請務必遵照本說明書上所示之燈泡規格、電壓及瓦特數限制。
- 燈具不正常運作或不亮時：(1) 請檢查燈泡是否正常運作；(2) 請關掉電源並檢查所有電線是否正確連接；(3) 檢查保險絲或無熔絲開關是否正常，必要時，請合格電工（或洽本公司）進行更換。
- 喜得所提供的產品，因多由手工技藝所產製，個體之間偶有些微形狀與顏色上的差異但並非瑕疵，例如手工口吹玻璃。
- 喜得提供產品材料及工藝上之兩年保固（自購買日起），並承諾保固期內視產品情況、提供免費維修或更換瑕疵產品（燈泡等耗材類配件除外）。
- 喜得燈飾設計股份有限公司保留為產品進行任何變更且無需提前通知之權利。

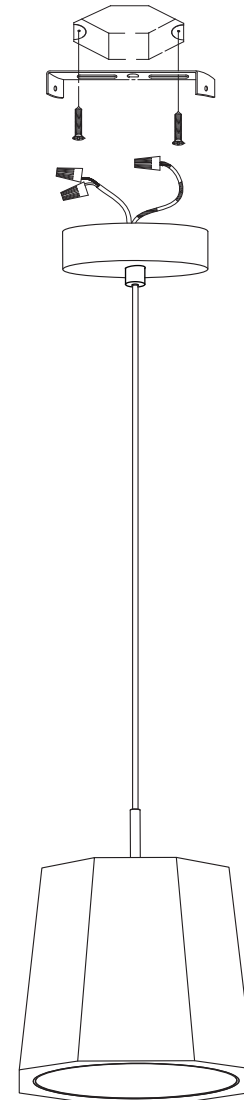
保養清潔方式

- 請用軟布稍微擦拭產品上附著的灰塵。若有明顯髒污，請將乾淨軟布浸濕並加入少許中性清潔劑，在溫柔擦拭髒污後，再以柔軟乾布輕輕揩乾。切勿使用酒精揮發溶劑或含有研磨顆粒的清潔劑擦拭烤漆產品。

Additional Attention : Adjusting Wire Length
補充說明: 調整線長



Parts List 內容物清單



Product 商品 : CASTLE P BETWEEN
Code 型號 : SQ-2321CP
Bulb Type 燈泡 : E26 1xMax.100W
Input Voltage 輸入電壓 : 120V~ 60Hz

In Parts Bag
零件包內容

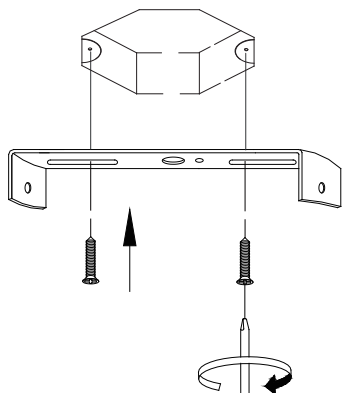


x2

Step 01

Take off the internal bracket from the canopy. Fix the bracket on the ceiling. Ensure you use the correct type of wall plug for the material you are drilling into.

取下壁鐵，將壁鐵固定在欲安裝之天花板上。

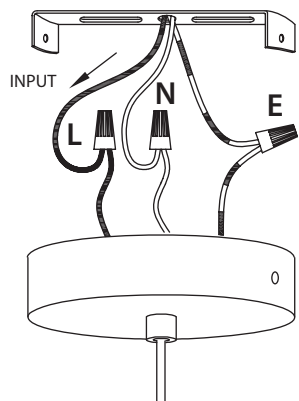


Step 02

Ensure Power is switched off!

Connect the main supply cables to the corresponding cables on the light.

確認電源已關閉！
連接主電源線與燈具電源線。



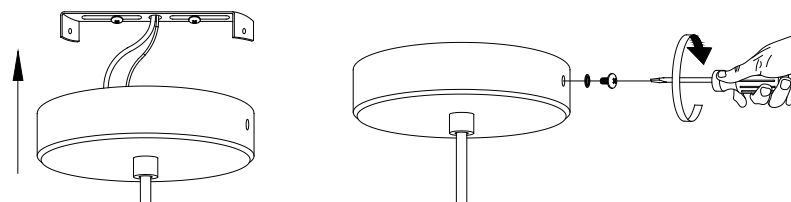
*** It is recommended that a qualified electrician connects the power in this step.**

此步驟建議由合格電工操作。

Step 03

Put on the canopy and screw on.

裝上壁蓋並鎖緊。



Step 04

Put on adapted bulb (not included in this package).

裝上燈泡 (燈泡並未附於配件包中)。

