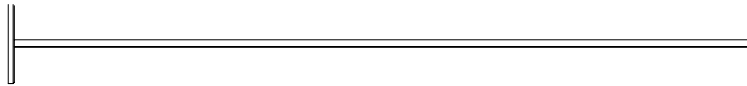
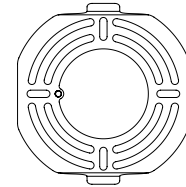


## CONTENTS

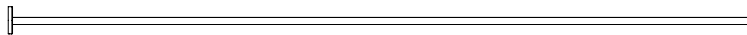
Pole 03 Primary Mount



Crossbar



Pole 03 Secondary Mount



Driver w/ Wagos



Pole Extrusion (x2)



Pole Fitter (x3)



J-Box Screws (x2)



Flat Head Screws  
 Machine (x2) & Wood (x2)



Toggle Anchors (x2)



## SAFETY INFORMATION

Only suitable for direct mounting on non-combustible surfaces.  
 Under no circumstances can Pole fixtures be mounted on normally flammable surfaces.  
 Suitable for dry, indoor use only.  
 Maximum ambient temperatures: 25° C

## POLE 03 | INSTALLATION

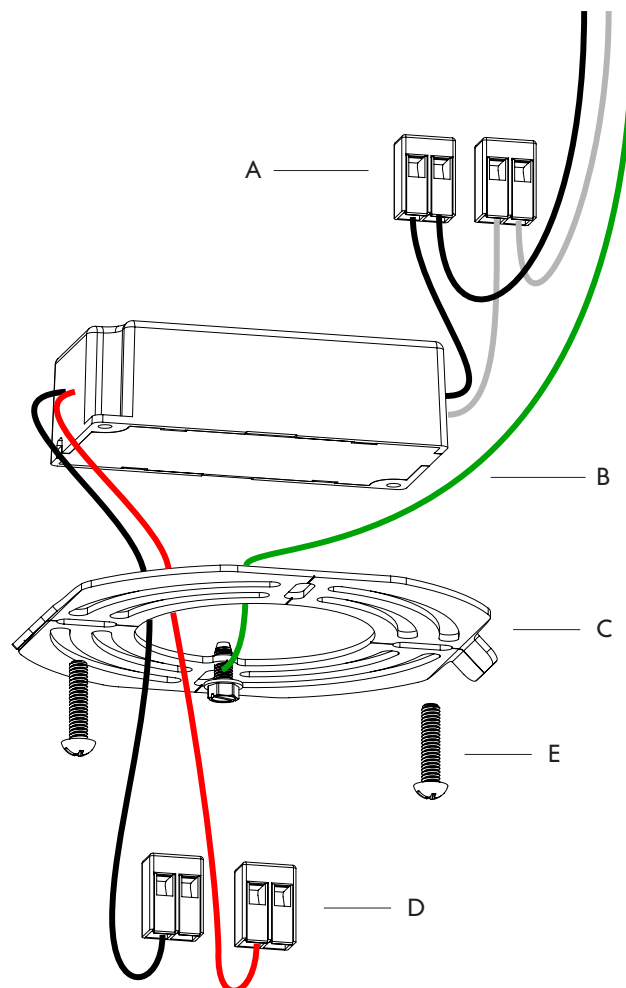
---

*Note: Please contact a licensed electrician for installation.*

*Note: Ensure power is off during installation.*

1. Connect the high voltage wires from the driver to the lead wires from the ceiling (A) and store the driver inside the junction box. For 240V fixtures, the driver will be stored within an enclosed driver box. A hole must be made in the ceiling to accommodate this.
2. Connect the ground wire (B) to the crossbar (C).
3. Pull the low voltage wires from the driver (D) through the center hole of the crossbar. Mount the crossbar to the junction box using provided #8-32 j-box screws (E). For 240V fixtures, mount the crossbar to the ceiling using the appropriate anchor hardware.

*Note: Make sure to mount the crossbar with the tabs parallel to the direction of the fixture.*



## POLE 03 | INSTALLATION

---

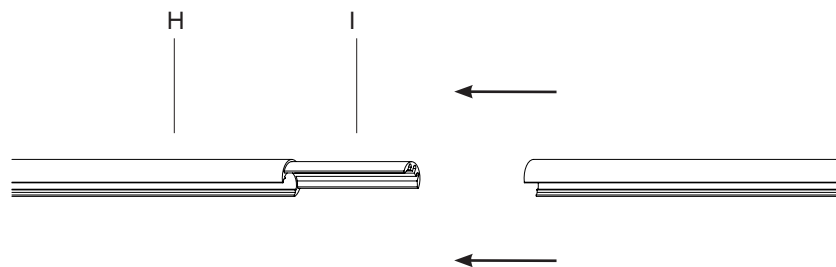
*Note: Please contact a licensed electrician for installation.*

*Note: Ensure power is off during installation.*

4. Pick up the primary mount (F) and the secondary mount (G) and place them approximately 16 feet away from each other. Lay them down on their sides so that the Pole extrusions (H) face towards each other.

*Be sure to pick them up from the mounts and not from the thin extrusion.*

5. Connect the x4 extrusions together using the x3 provided fitters (I).



## POLE 03 | INSTALLATION

---

*Note: Please contact a licensed electrician for installation.*

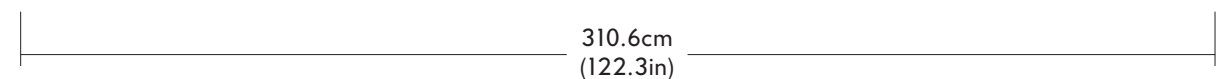
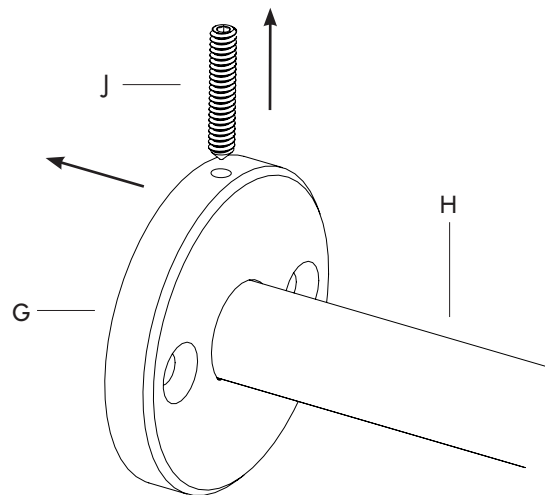
*Note: Ensure power is off during installation.*

6. Unthread the set screw (J) from the secondary wall mount (G) and slide the wall mount off of the extrusion (H).

7. Measure 310.6cm/122.3in distance from the j-box to determine the location for the secondary wall mount. Use the holes in the wall mount as a template to mark the anchor locations.

*Note: The mount must be oriented so that the LED track will be facing back towards the j-box.*

8. Mount the secondary wall mount to the ceiling using the appropriate hardware (anchors with black machine screws, or black wood screws).



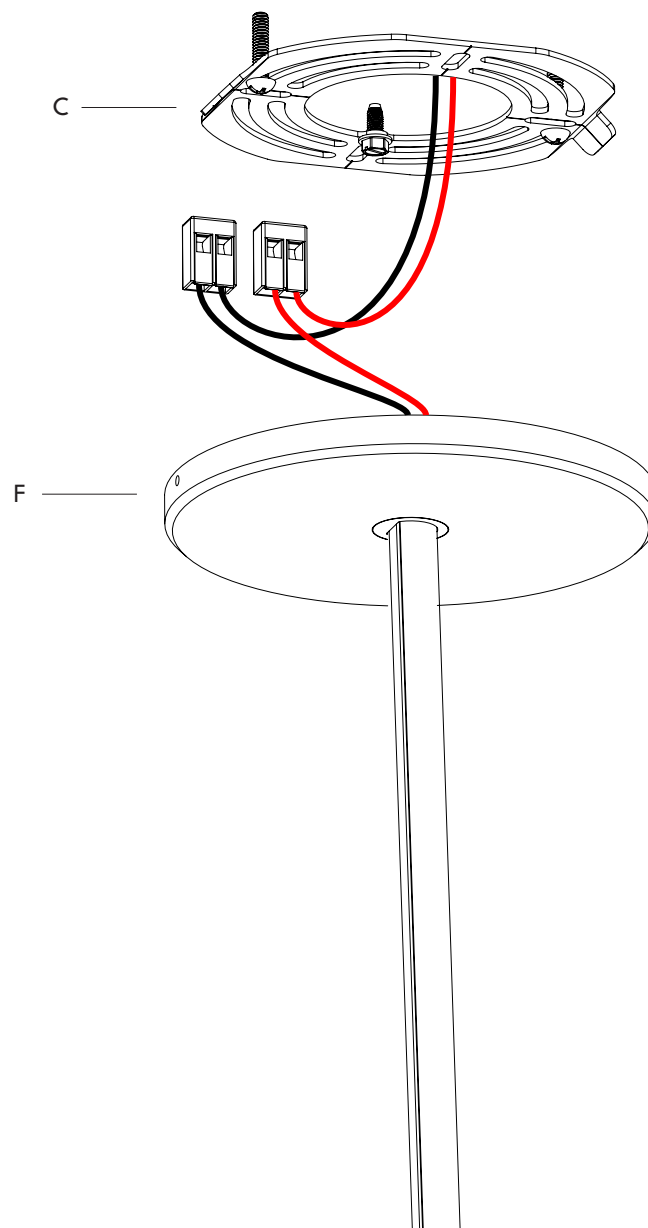
## POLE 03 | INSTALLATION

---

*Note: Please contact a licensed electrician for installation.*

*Note: Ensure power is off during installation.*

9. Hold the primary mount (F) up to the ceiling and make wiring connections. Push the wire connectors up through the hole in the crossbar (C).



## POLE 03 | INSTALLATION

---

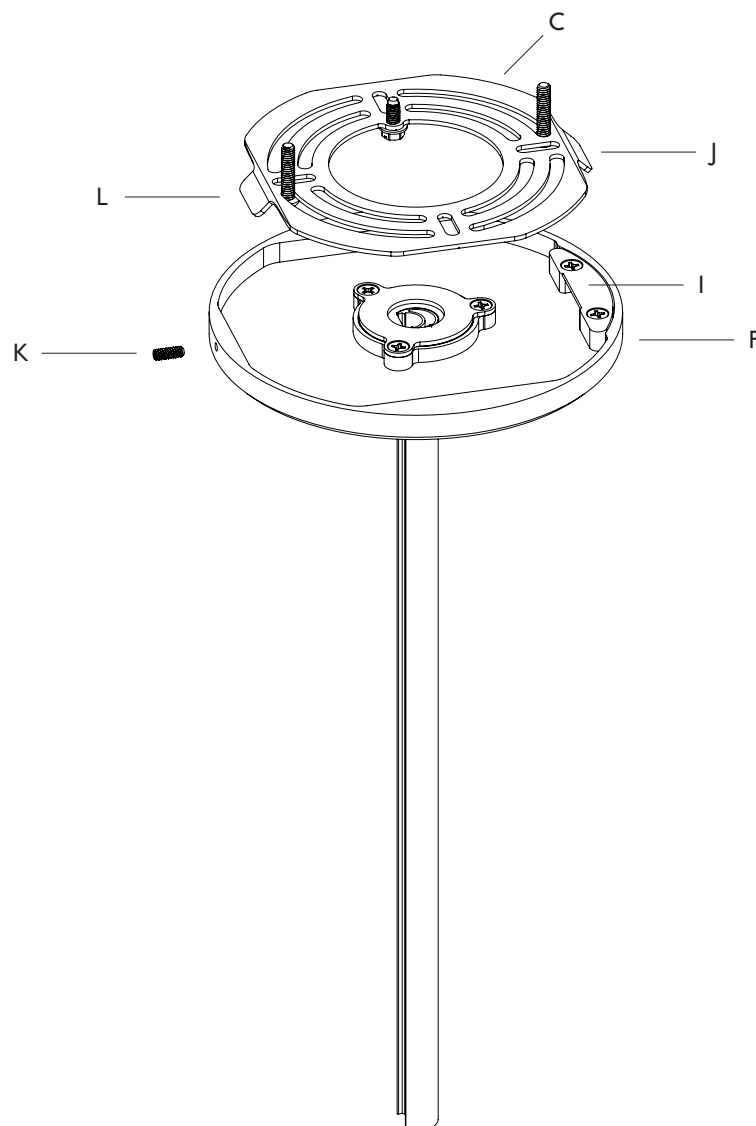
*Note: Please contact a licensed electrician for installation.*

*Note: Ensure power is off during installation.*

10. Hook the primary mount (F) onto the crossbar (C) so that the wedge (I) hooks onto the flanged tab at the top (J). The LED track should be facing inward towards the secondary mount.

11. Hold the hooked cover plate flush to the ceiling and tighten the set screw (K) so that it puts pressure onto the flanged tab at the bottom (L).

12. Once the plate is mounted, give it a gentle pull to ensure that it is secure.



## POLE 03 | INSTALLATION

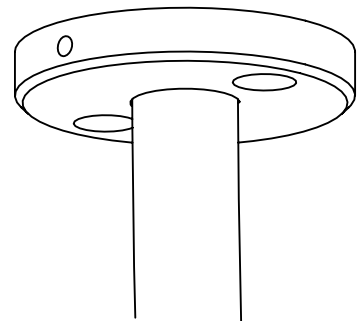
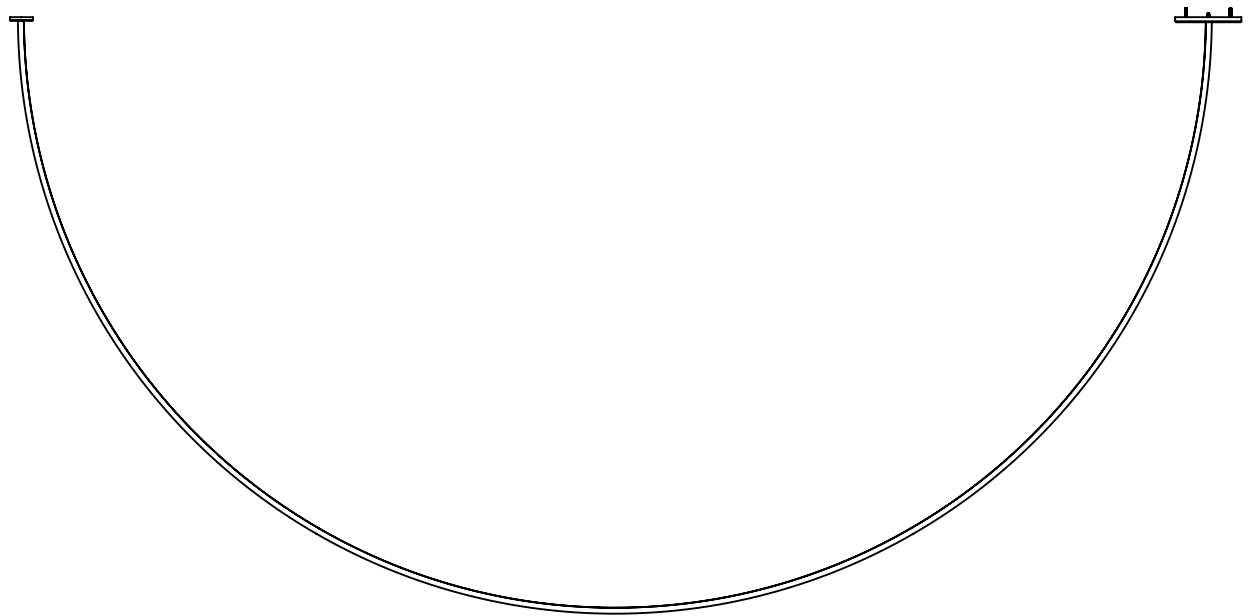
---

*Note: Please contact a licensed electrician for installation.*

*Note: Ensure power is off during installation.*

13. Flex the extrusion towards the secondary mount and hook the end into the hole in the secondary mount.

14. Tighten the set screw back into the hole so that it captures the extrusion. Give a gentle pull on the end of the extrusion to ensure the set screw has secured it.



## POLE 03 | INSTALLATION

---

*Note: Please contact a licensed electrician for installation.*

*Note: Ensure power is off during installation.*

15. Press gently on the silicone extrusion (M) so that it snaps into the track of the metal extrusion (H). Guide it into place all along the arc, moving from the powered mount to the secondary mount. When you get to the end, push the silicone end into the secondary mount to conceal the slack.

