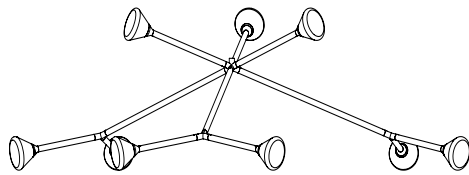


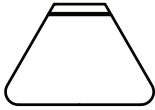
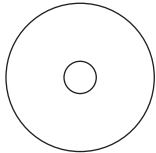
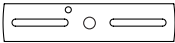


CONTENTS

Nova Assembly



Stem



<p>Glass</p> 	<p>Canopy</p> 
<p>Crossbar</p> 	<p>1/8 IP Threaded Rod</p> 
	<p>(x2) 8-32 Screw</p> 

SAFETY INFORMATION

Suitable for damp locations

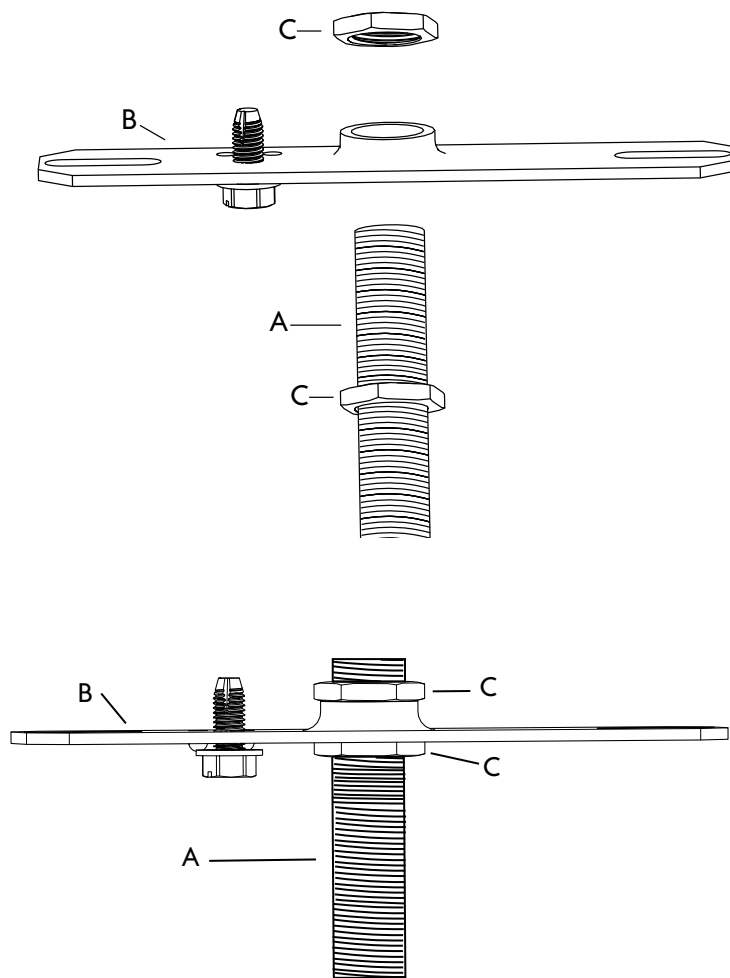
Maximum ambient temperature: 25°C

CAUTION RISK OF FIRE – MAX 3W TYPE G4 LED self ballasted UL1993/CSAC22.2 no. 1993

NOVA | INSTALLATION

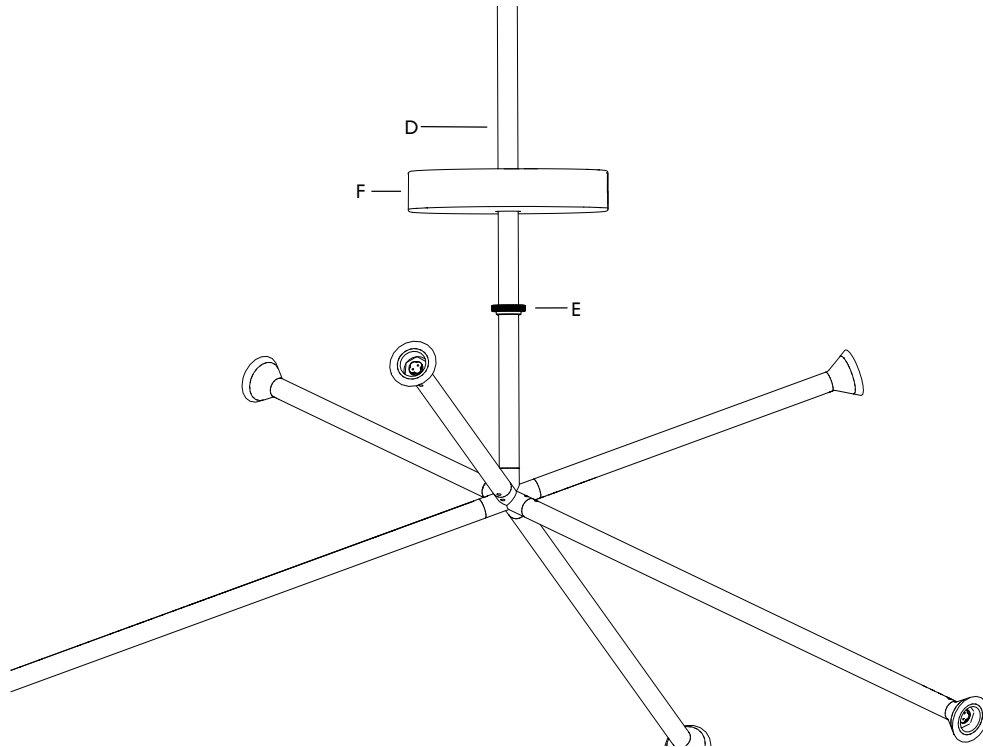
Note: Please contact a licensed electrician.

1. Thread the 1/8 IP Nipple (A) onto the cross bar (B). Secure in place with an 1/8 IP nut (C) on each side.

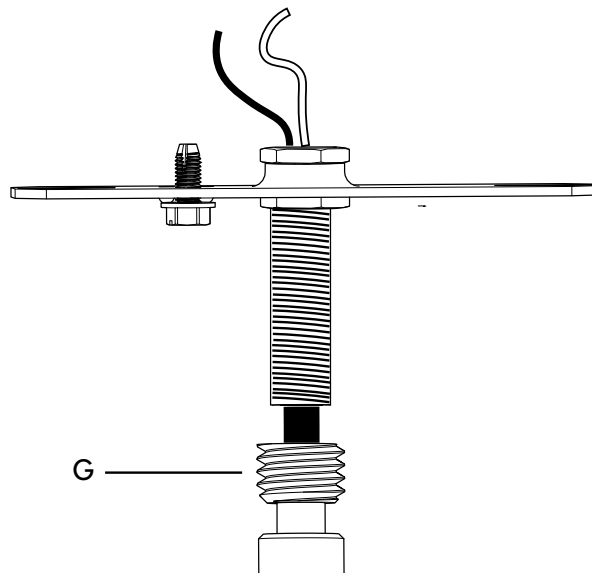


NOVA | INSTALLATION

2. Feed the drop length cable through the stem (D) and thread the stem into the nipple on the top of the chandelier. Then, unthread the collar (E) on the hangstraight at the top of the stem and carefully bring it down to rest at the bottom of the stem. Then bring the canopy (F) down the length of the stem to rest as well. Be careful not to scratch the finish on the stem in this process.



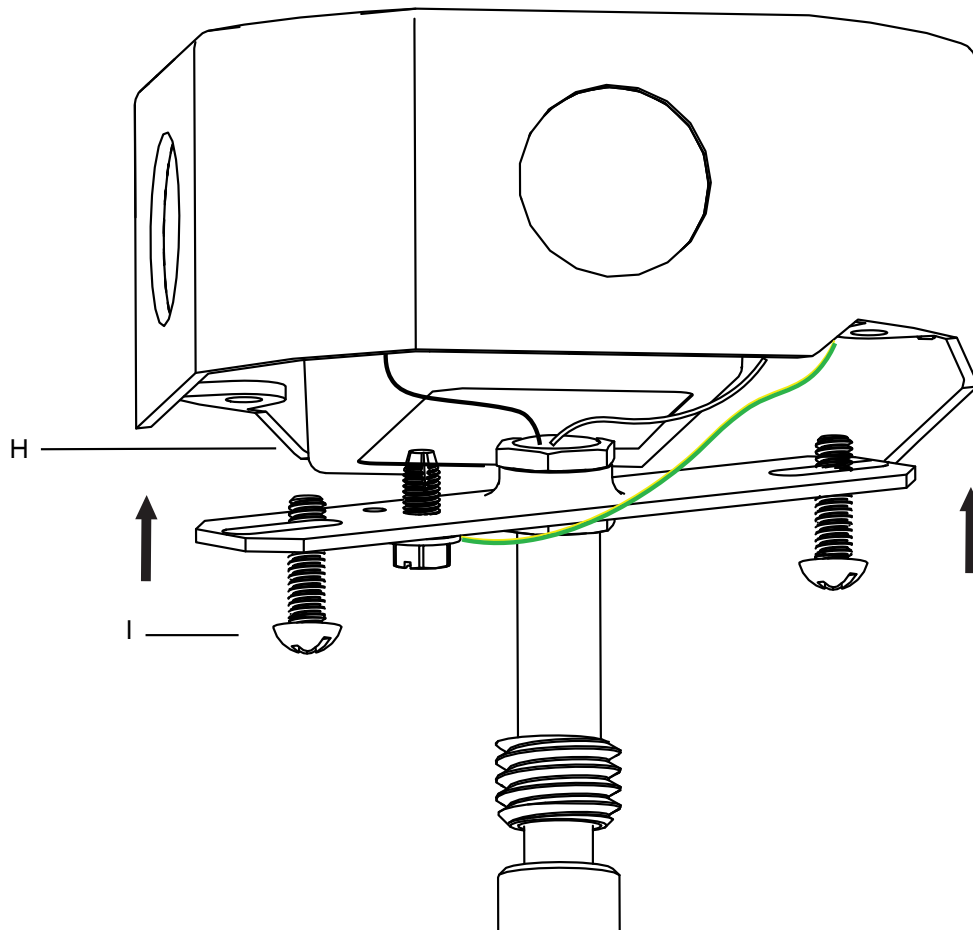
3. Feed the cable through the crossbar assembly from step 1 and then thread the crossbar assembly onto the hangstraight (G) at the top of the stem.



NOVA | INSTALLATION

4. Connect the driver (H) to the power source from the ceiling and then carefully arrange the driver and wires into the junction box. Leave the driver output wires accessible for connections in the next step.

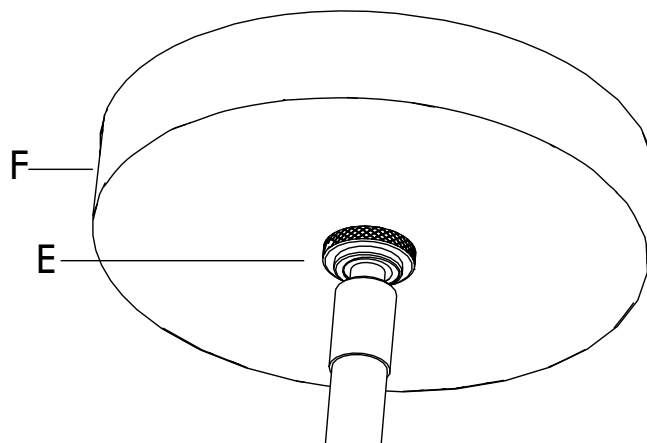
Then bring the chandelier assembly (with crossbar assembly threaded onto stem) up to the junction box and secure it in place using two 8-32 screws (I) as shown below. Ground the crossbar as shown below.



NOVA | INSTALLATION

5. Make the connections between the driver and the fixture.

Once the required connections are made, the canopy (F) can be brought up flush with the ceiling. Be careful not to pinch any wires or to scratch the finish on the stem. Then bring the collar (E) up and secure the canopy in place.



6. Insert the two leads from the LED bulbs (J) into the sockets (K) as shown below. Then carefully thread the glass diffuser (L) in place.

