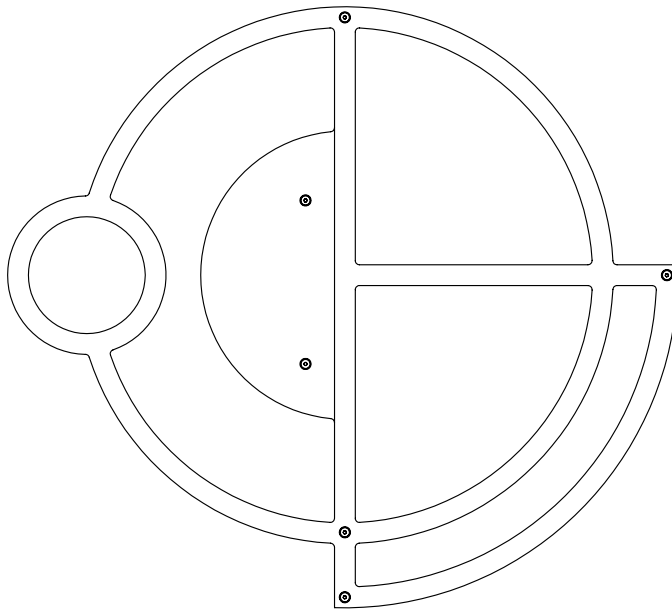
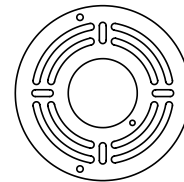


CONTENTS

Moonrise Sconce 01 Body



Crossbar



#8-32 Crossbar Screws (2)



#4-40 5/16in Screws (2)



Wire Connectors (3)



Ground Screw



Terminal Ring and Ground wire

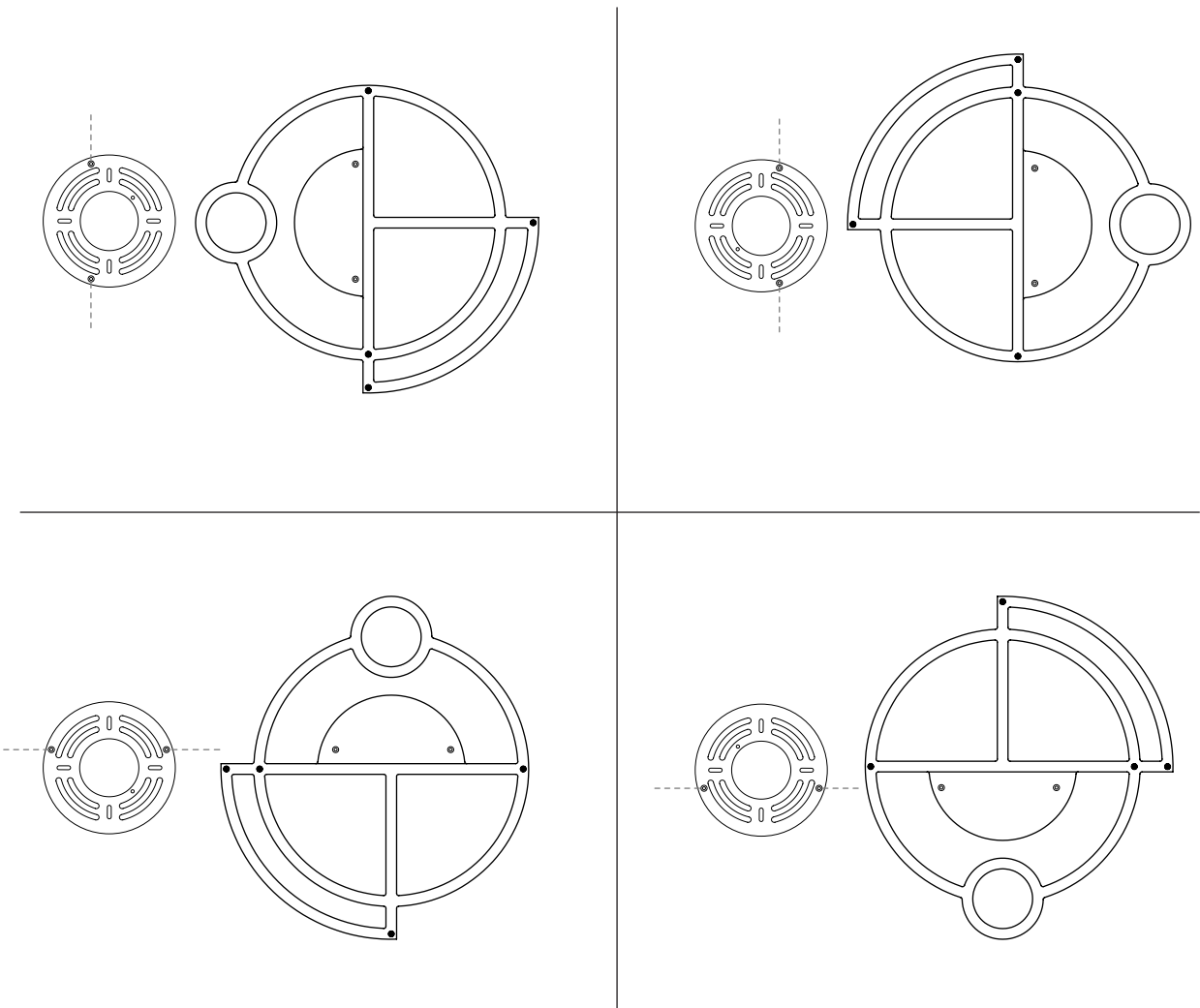


SAFETY INFORMATION

Only suitable for direct mounting on non-combustible surfaces.
Under no circumstances can Moonrise Sconce be mounted on normally flammable surfaces.
Suitable for dry and damp locations, indoor use only.
Maximum ambient temperature: 25°C

Moonrise Sconce 01 | INSTALLATION

Note: Orientation of the fixture is linked to the orientation of the crossbar, due to the positioning of the holes on the crossbar for the #4-40 5/16in screws. Make sure the holes for the #4-40 5/16in screws on crossbar are leveled for desired orientation of the fixture, vertically or horizontally.



Moonrise Sconce 01 | INSTALLATION

Note: Please contact a licensed electrician for installation. Ensure power is off during installation.

01. Attach the crossbar (B), in a desired orientation, to junction box (A) with #8/32 screws (C). Make sure to pull out the lead wires through the center hole in crossbar.
02. Connect the ground wire to crossbar using the provided wago connector (D) with a terminal ring and green screw.
03. Carefully hold fixture to crossbar (B) and make lead wire connections with the provided wago connectors (E). Push all wires back through center hole of crossbar (B) into junction box (A).
04. Fit the light fixture over the crossbar and secure with the two provided #4-40 5/16in screws (F).

