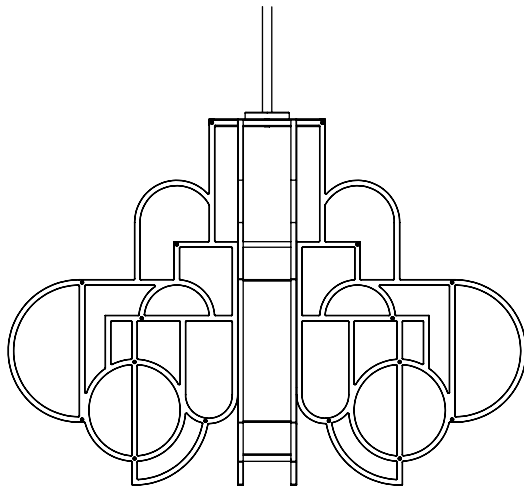


CONTENTS

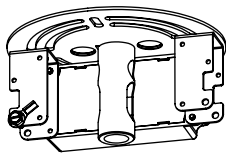
Moonrise Chandelier Body



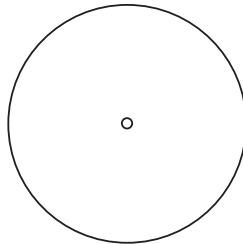
Stem and 1/8 IPS Threaded Rod



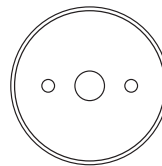
Crossbar Assembly



Canopy



Mounting Cap



8-32 Crossbar Screws (x2)



#4-40 Screws (x2)



Canopy Nut



Hanging Mech



Wago Connectors (x5)



Terminal Ring and Ground Wire



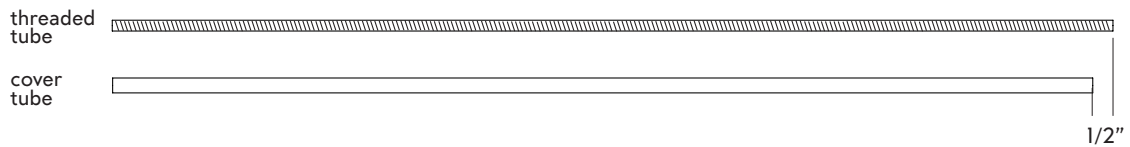
SAFETY INFORMATION

Only suitable for direct mounting on non-combustible surfaces
 Under no circumstances can Moonrise Chandelier be mounted on normally flammable surfaces.
 Suitable for dry and damp locations, indoor use only.
 Maximum ambient temperature: 25°C

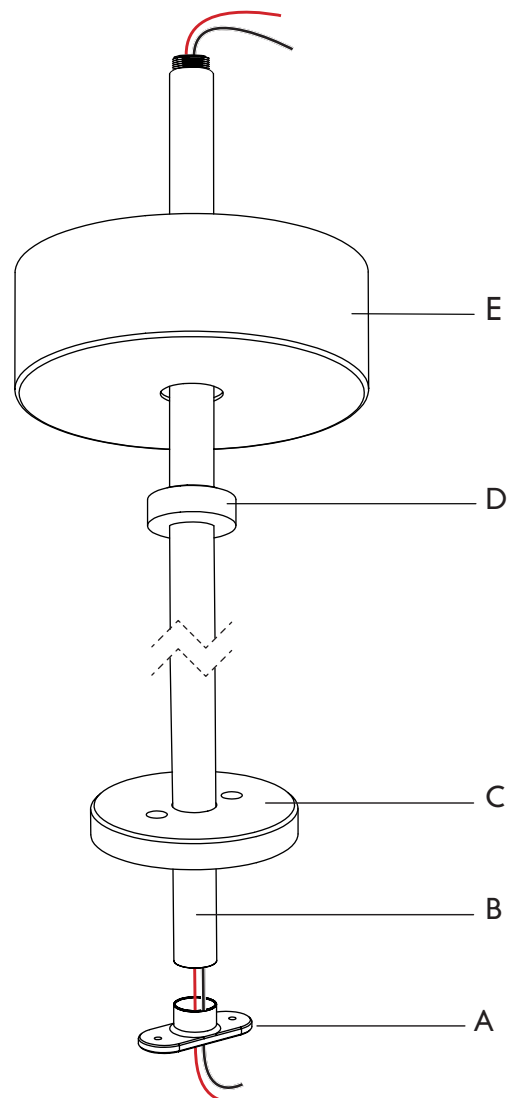
Moonrise Chandelier | INSTALLATION

Note: Please contact a licensed electrician for installation. Ensure power is off during installation.

01. To customize the length of the provided 35-inch stem, cut cover tube to desired length. Then cut the inner threaded tube so that it remains 1/2" longer than the cover tube.

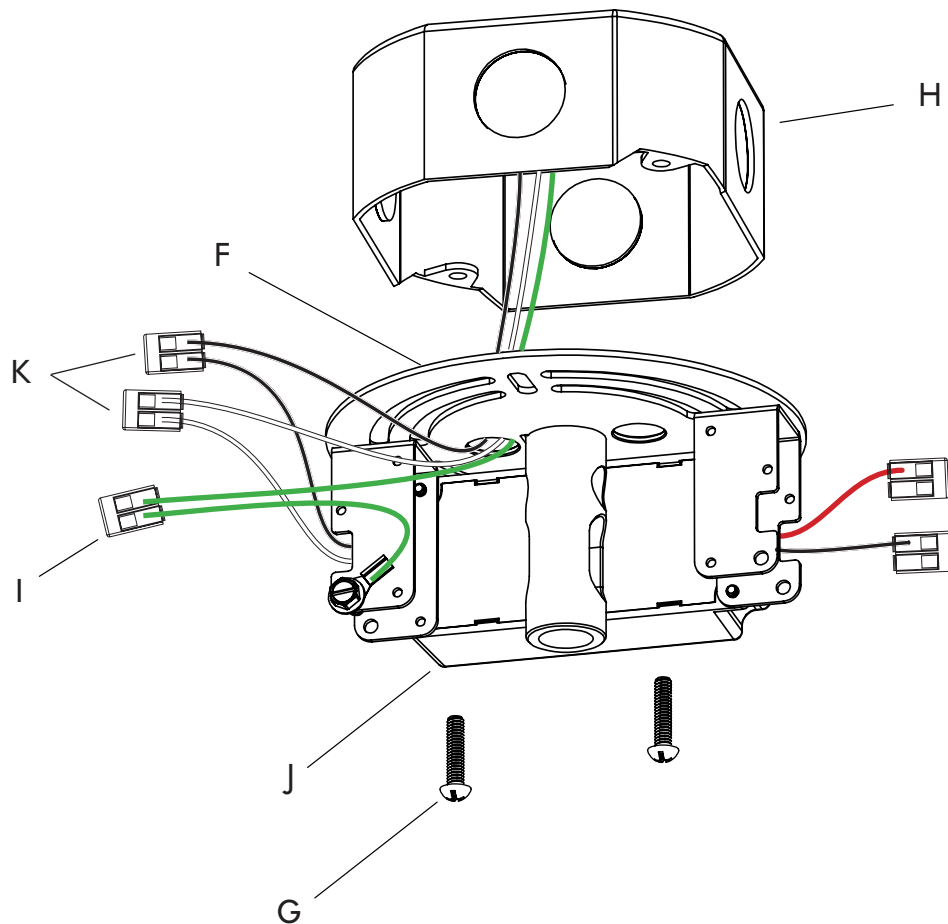


02. Feed the wires through the inner threaded and cover tubes (B).
03. Secure the inner threaded and cover tubes (B) in to the Hanging Mech (A)
04. Slide over the Mounting Cap (C), then Canopy Nut (D) and Canopy (E).



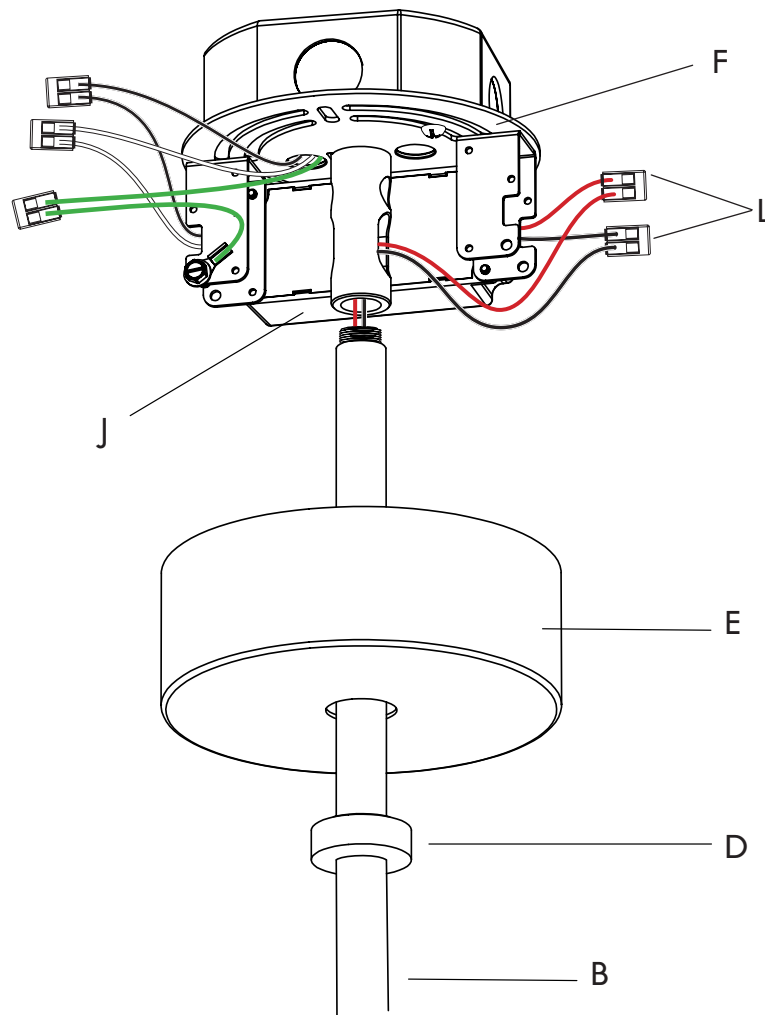
Moonrise Chandelier | INSTALLATION

05. Install the crossbar assembly (F) using #8-32 screws (G) to junction box (H) in ceiling.
Pull the lead wires through the center hole in order to make lead connections.
06. Attach the green ground wire to the crossbar with the provided wago connector (I).
07. Make wire connections between junction box leads and the LED driver (J)
using the provided Wago Connectors (K).



Moonrise Chandelier | INSTALLATION

08. Feed the wires from the threaded and cover tubes (B) to the crossbar assembly (F) and attach the tubes to the crossbar assembly.
09. Connect the secondary wires from the fixture to the LED driver (J) using the provided Wago Connectors (L)
10. Raise canopy (E) and hangstraight nut (D) to ceiling and tighten nut around hangstraight. This will tighten canopy flush to ceiling. Make sure to conceal wires and connections inside canopy.



Moonrise Chandelier | INSTALLATION

11. Unscrew the Top Cover Plate (N) from the fixture, set the #4-40 3/16in Screws (O) aside for later.
12. Thread the secondary wire through the hole of Mounting Plate (M).
13. Insert the Hanging Mech (Cleat) (A) into the Mounting Plate (M) and twist to align up the holes. (THE HANGING MECH IS NOT FULLY SECURED, USE CAUTION)
14. Make the secondary wire connection with the fixture wires by inserting wires from the stem into free slots on the wago connectors (Q).
15. Lower the Top Cover Plate (N) and the Mounting Cap (C) onto the Mounting Plate (M).
16. Align the screw holes on the Mounting Cap (C), Hanging Mech (A) and Mounting Plate (M), and secure with #4-40 Screws (P). (THE HANGING MECH IS NOW FULLY SECURED)
17. Secure the Top Cover Plate with #4-40 3/16in Screws (O).

