

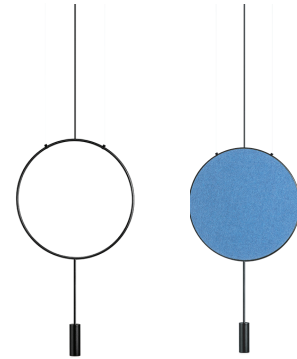
REVOLTA T-3635

suspension

| | |
|-----------|----------|
| Date | Type |
| Project | |
| Location | |
| Model # | Quantity |
| Specifier | |

Description

Suspension lamp with a circular body, cylindrical aluminium heads and acrylic (PMMA) lens diffusers. Adjustable height. Optional 50° angle acrylic optic lens conversion kit. Optional decorative sound absorbing panel ($\alpha = 0.4$) 95% Virgin wool and 5% polyamide.



Pictures above might not show the specified dimensions or material. They are for illustration purposes only.

Ordering information

| Code | Lamp | Canopy | Finish body | Finish head |
|------------|--|---------------------------------|----------------|---|
| ■ T-3635-W | ■ LED 6.1W (2700K / Ang 120° / >80 CRI / 350mA) 120V (included) / Typ* 665 lumens Dimmable Triac / Driver included | ■ 26 BLK Black ■ 71 WH White | ■ 26 BLK Black | ■ 26 BLK Black ■ 61 S GLD Satin Gold |

Product includes

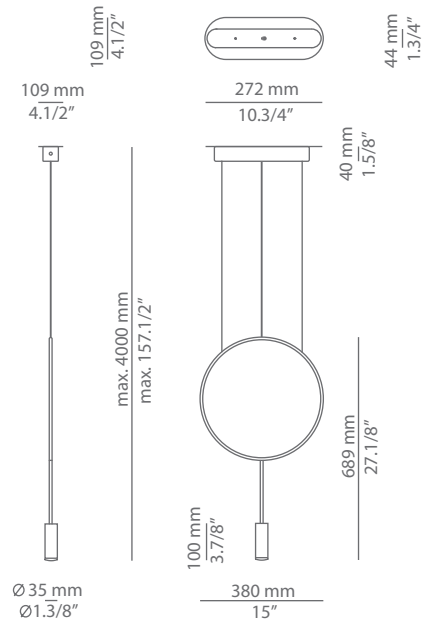
| Code | Description |
|--------------|---------------------------------|
| ■ 113635XX0U | ■ 1 canopy for 1 single pendant |
| ■ T-3635C | ■ 1 Revolta pendant |
| ■ 671000051 | ■ 1 driver / Dimmable Triac |

Accessories

| Code | Description |
|-------------|---|
| ■ E67353001 | ■ 50° angle acrylic optic lens conversion kit |
| ■ 123635XX0 | ■ Acoustic Panel $\varnothing 380\text{mm}$ |

Finish Panel

| | |
|----------|----------|
| ■ 82 BL | Blue |
| ■ 83 EGP | Eggplant |
| ■ 84 SLM | Salmon |
| ■ CUSTOM | |



SPECIAL REQUIREMENTS

Custom versions

We offer custom plated or RAL finishes. Alternate lamping and versions available for projects. Consult our offices.

Special instructions

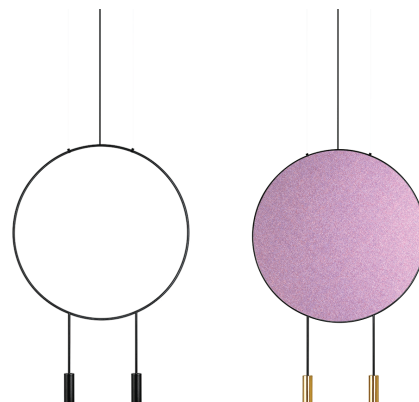
REVOLTA T-3636

suspension

| | |
|-----------|----------|
| Date | Type |
| Project | |
| Location | |
| Model # | Quantity |
| Specifier | |

Description

Suspension lamp with a circular body, cylindrical aluminium heads and acrylic (PMMA) lens diffusers. Adjustable height. Optional 50° angle acrylic optic lens conversion kit. Optional decorative sound absorbing panel (α= 0.4) 95% Virgin wool and 5% polyamide.



Pictures above might not show the specified dimensions or material. They are for illustration purposes only.

Ordering information

| Code | Lamp | Canopy | Finish body | Finish head |
|------------|--|---------------------------------|----------------|---|
| ■ T-3636-W | ■ LED 2x6.1W (2700K / Ang 120° / >80 CRI / 350mA) 120V (included) / Typ* 2x665 lumens Dimmable Triac / Driver included | ■ 26 BLK Black ■ 71 WH White | ■ 26 BLK Black | ■ 26 BLK Black ■ 61 S GLD Satin Gold |

Product includes

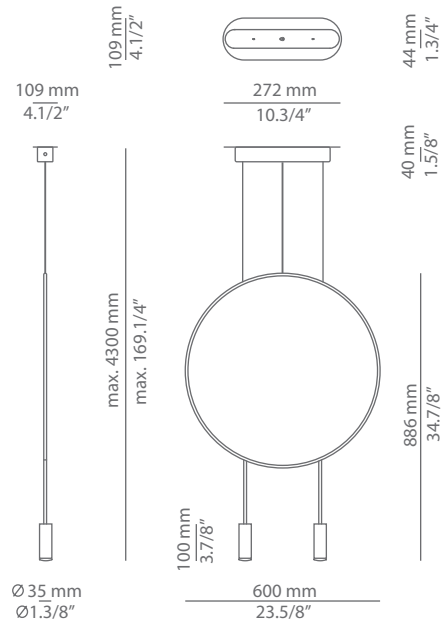
| Code | Description |
|--------------|---------------------------------|
| ■ 113635XX0U | ■ 1 canopy for 1 single pendant |
| ■ T-3636C | ■ 1 Revolta pendant |
| ■ 671000036 | ■ 1 driver / Dimmable Triac |

Accessories

| Code | Description |
|-------------|---|
| ■ E67353001 | ■ 50° angle acrylic optic lens conversion kit |
| ■ 123636XX0 | ■ Acoustic Panel Ø600mm |

Finish Panel

| | |
|----------|----------|
| ■ 82 BL | Blue |
| ■ 83 EGP | Eggplant |
| ■ 84 SLM | Salmon |
| ■ CUSTOM | |



SPECIAL REQUIREMENTS

Custom versions

We offer custom plated or RAL finishes. Alternate lamping and versions available for projects. Consult our offices.

Special instructions

REVOLTA T-3635C / T-3636C

suspension

| | |
|-----------|----------|
| Date | Type |
| Project | |
| Location | |
| Model # | Quantity |
| Specifier | |

Ordering information

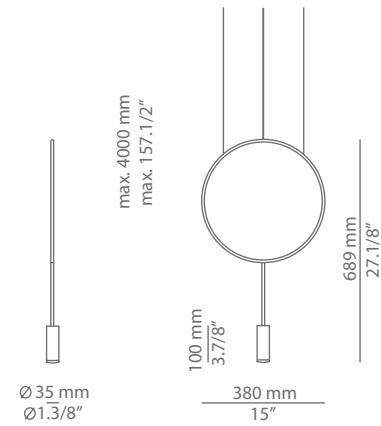
| Code | Lamp | Finish body | Finish head | Finish Panel |
|-------------|--|----------------|---------------------------------------|--|
| ■ T-3635C-W | ■ LED 6.1W (2700K / Ang 120° / >80 CRI / 350mA) 120V (included) / Typ* 665 lumens Dimmable Triac / Driver included | ■ 26 BLK Black | ■ 26 BLK Black 61 S GLD Satin Gold | ■ 82 BL Blue ■ 83 EGP Eggplant ■ 84 SLM Salmon ■ CUSTOM |

Product includes

| Code | Description |
|-------------|-----------------------------|
| ■ T-3635C | ■ 1 Revolta pendant |
| ■ 671000051 | ■ 1 driver / Dimmable Triac |

Accessories

| Code | Description |
|-------------|---|
| ■ E67353001 | ■ 50° angle acrylic optic lens conversion kit |
| ■ 123635XX0 | ■ Acoustic Panel Ø 380mm |



Ordering information

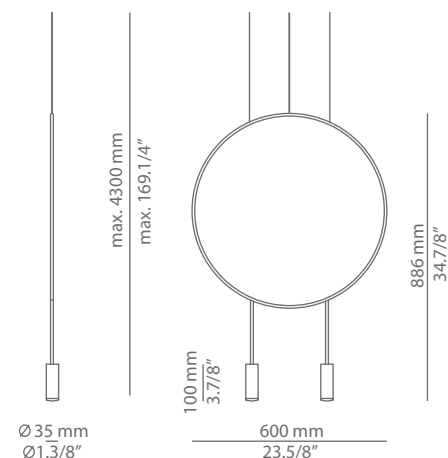
| Code | Lamp | Finish body | Finish head | Finish Panel |
|------------|--|----------------|---------------------------------------|--|
| ■ T-3636-W | ■ LED 2x6.1W (2700K / Ang 120° / >80 CRI / 350mA) 120V (included) / Typ* 2x665 lumens Dimmable Triac / Driver included | ■ 26 BLK Black | ■ 26 BLK Black 61 S GLD Satin Gold | ■ 82 BL Blue ■ 83 EGP Eggplant ■ 84 SLM Salmon ■ CUSTOM |

Product includes

| Code | Description |
|-------------|-----------------------------|
| ■ T-3636C | ■ 1 Revolta pendant |
| ■ 671000036 | ■ 1 driver / Dimmable Triac |

Accessories

| Code | Description |
|-------------|---|
| ■ E67353001 | ■ 50° angle acrylic optic lens conversion kit |
| ■ 123636XX0 | ■ Acoustic Panel Ø 600mm |



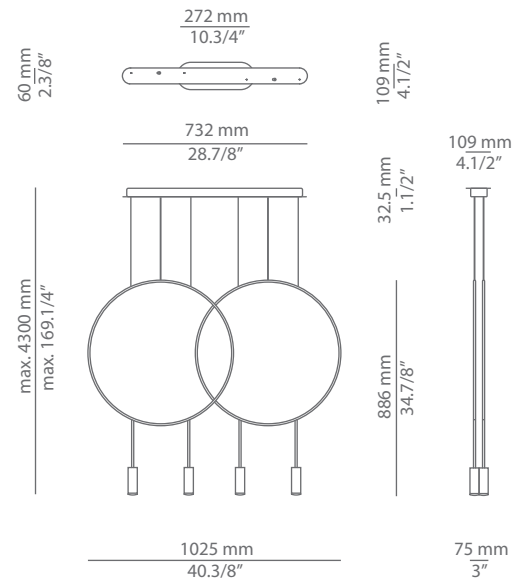
REVOLTA

T-3635 / T-3636
suspension

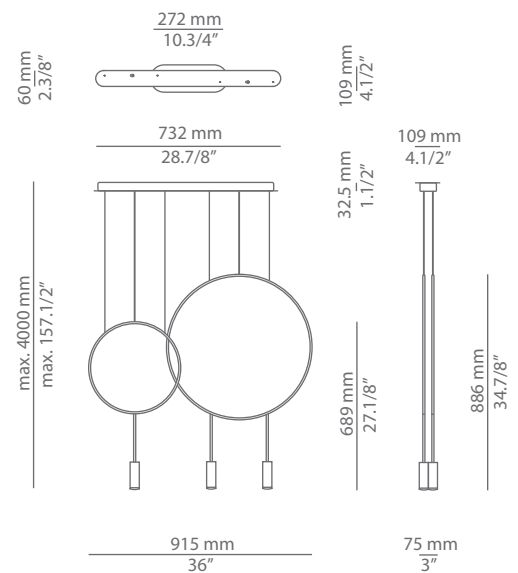
| | |
|-----------|----------|
| Date | Type |
| Project | |
| Location | |
| Model # | Quantity |
| Specifier | |

Many possible configurations with T-3635C and T-3636C

| Code | Composition includes | | | | | | |
|--|--|--|---|--|--|---|--|
| <ul style="list-style-type: none"> ■ L173.2D revolta | <ul style="list-style-type: none"> ■ 1 linear canopy 113536XX1U ■ 2 units of T-3636C ■ 2 drivers / Dimmable Triac <table border="0" style="width: 100%; margin-top: 10px;"> <tr> <td style="width: 33%; vertical-align: top;"> <p>Canopy</p> <ul style="list-style-type: none"> ■ 26 BLK Black ■ 71 WH White </td> <td style="width: 33%; vertical-align: top;"> <p>Body</p> <ul style="list-style-type: none"> ■ 26 BLK Black </td> <td style="width: 33%; vertical-align: top;"> <p>Head</p> <ul style="list-style-type: none"> ■ 26 BLK Black ■ 61 S GLD Satin Gold </td> </tr> <tr> <td style="vertical-align: top;"> <p>Optional</p> <ul style="list-style-type: none"> ■ Add up to 2 acoustic panels 123636XX0 </td> <td colspan="2" style="vertical-align: top;"> <p>Finish Panel</p> <ul style="list-style-type: none"> ■ 82 BL Blue ■ 83 EGP Eggplant ■ 84 SLM Salmon ■ CUSTOM </td> </tr> </table> | <p>Canopy</p> <ul style="list-style-type: none"> ■ 26 BLK Black ■ 71 WH White | <p>Body</p> <ul style="list-style-type: none"> ■ 26 BLK Black | <p>Head</p> <ul style="list-style-type: none"> ■ 26 BLK Black ■ 61 S GLD Satin Gold | <p>Optional</p> <ul style="list-style-type: none"> ■ Add up to 2 acoustic panels 123636XX0 | <p>Finish Panel</p> <ul style="list-style-type: none"> ■ 82 BL Blue ■ 83 EGP Eggplant ■ 84 SLM Salmon ■ CUSTOM | |
| <p>Canopy</p> <ul style="list-style-type: none"> ■ 26 BLK Black ■ 71 WH White | <p>Body</p> <ul style="list-style-type: none"> ■ 26 BLK Black | <p>Head</p> <ul style="list-style-type: none"> ■ 26 BLK Black ■ 61 S GLD Satin Gold | | | | | |
| <p>Optional</p> <ul style="list-style-type: none"> ■ Add up to 2 acoustic panels 123636XX0 | <p>Finish Panel</p> <ul style="list-style-type: none"> ■ 82 BL Blue ■ 83 EGP Eggplant ■ 84 SLM Salmon ■ CUSTOM | | | | | | |



| Code | Composition includes | | | | | | |
|---|---|--|---|--|---|---|--|
| <ul style="list-style-type: none"> ■ L73.1S1D revolta | <ul style="list-style-type: none"> ■ 1 linear canopy 113536XX1U ■ 1 unit of T-3635C ■ 1 unit of T-3636C ■ 2 drivers / Dimmable Triac <table border="0" style="width: 100%; margin-top: 10px;"> <tr> <td style="width: 33%; vertical-align: top;"> <p>Canopy</p> <ul style="list-style-type: none"> ■ 26 BLK Black ■ 71 WH White </td> <td style="width: 33%; vertical-align: top;"> <p>Body</p> <ul style="list-style-type: none"> ■ 26 BLK Black </td> <td style="width: 33%; vertical-align: top;"> <p>Head</p> <ul style="list-style-type: none"> ■ 26 BLK Black ■ 61 S GLD Satin Gold </td> </tr> <tr> <td style="vertical-align: top;"> <p>Optional</p> <ul style="list-style-type: none"> ■ 1 acoustic panel 123635XX0 ■ 1 acoustic panel 123636XX0 </td> <td colspan="2" style="vertical-align: top;"> <p>Finish Panel</p> <ul style="list-style-type: none"> ■ 82 BL Blue ■ 83 EGP Eggplant ■ 84 SLM Salmon ■ CUSTOM </td> </tr> </table> | <p>Canopy</p> <ul style="list-style-type: none"> ■ 26 BLK Black ■ 71 WH White | <p>Body</p> <ul style="list-style-type: none"> ■ 26 BLK Black | <p>Head</p> <ul style="list-style-type: none"> ■ 26 BLK Black ■ 61 S GLD Satin Gold | <p>Optional</p> <ul style="list-style-type: none"> ■ 1 acoustic panel 123635XX0 ■ 1 acoustic panel 123636XX0 | <p>Finish Panel</p> <ul style="list-style-type: none"> ■ 82 BL Blue ■ 83 EGP Eggplant ■ 84 SLM Salmon ■ CUSTOM | |
| <p>Canopy</p> <ul style="list-style-type: none"> ■ 26 BLK Black ■ 71 WH White | <p>Body</p> <ul style="list-style-type: none"> ■ 26 BLK Black | <p>Head</p> <ul style="list-style-type: none"> ■ 26 BLK Black ■ 61 S GLD Satin Gold | | | | | |
| <p>Optional</p> <ul style="list-style-type: none"> ■ 1 acoustic panel 123635XX0 ■ 1 acoustic panel 123636XX0 | <p>Finish Panel</p> <ul style="list-style-type: none"> ■ 82 BL Blue ■ 83 EGP Eggplant ■ 84 SLM Salmon ■ CUSTOM | | | | | | |

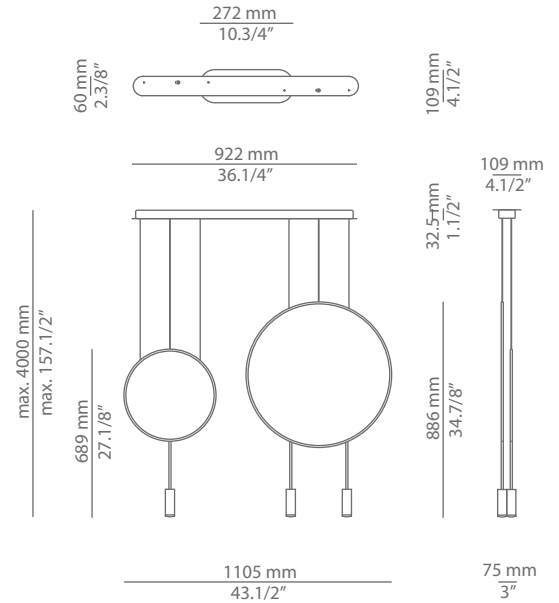


REVOLTA

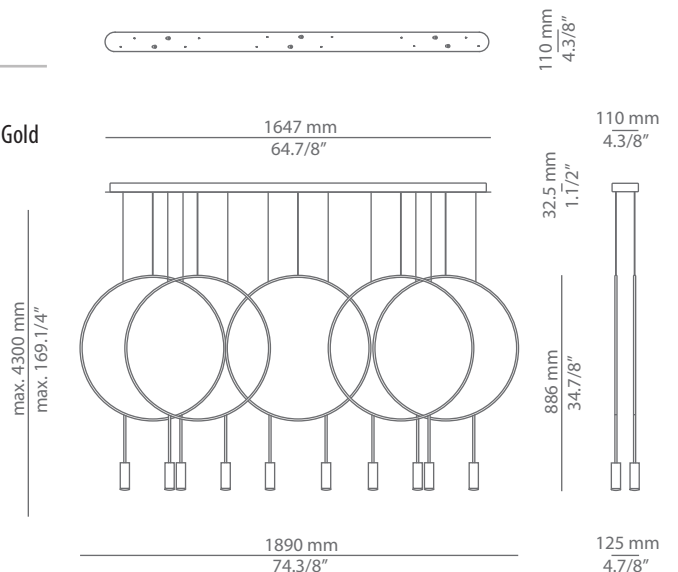
T-3635 / T-3636
suspension

| | |
|-----------|----------|
| Date | Type |
| Project | |
| Location | |
| Model # | Quantity |
| Specifier | |

| Code | Composition includes | | | | | | | | | | |
|------------------------------|--|-----------------------|---------------------|------------------------------|----------------|------------------------------|-------------------|---------------|-----------------|-----------------------|----------|
| ■ L92.1S1D revolta | <ul style="list-style-type: none"> 1 linear canopy 113536XX3U 1 unit of T-3635C 1 unit of T-3636C 2 drivers / Dimmable Triac | | | | | | | | | | |
| | <table border="0"> <tr> <td>Canopy</td> <td>Body</td> <td>Head</td> </tr> <tr> <td>■ 26 BLK Black</td> <td>■ 26 BLK Black</td> <td>■ 26 BLK Black</td> </tr> <tr> <td>■ 71 WH White</td> <td></td> <td>■ 61 S GLD Satin Gold</td> </tr> </table> | Canopy | Body | Head | ■ 26 BLK Black | ■ 26 BLK Black | ■ 26 BLK Black | ■ 71 WH White | | ■ 61 S GLD Satin Gold | |
| Canopy | Body | Head | | | | | | | | | |
| ■ 26 BLK Black | ■ 26 BLK Black | ■ 26 BLK Black | | | | | | | | | |
| ■ 71 WH White | | ■ 61 S GLD Satin Gold | | | | | | | | | |
| | <table border="0"> <tr> <td>Optional</td> <td>Finish Panel</td> </tr> <tr> <td>■ 1 acoustic panel 123635XX0</td> <td>■ 82 BL Blue</td> </tr> <tr> <td>■ 1 acoustic panel 123636XX0</td> <td>■ 83 EGP Eggplant</td> </tr> <tr> <td></td> <td>■ 84 SLM Salmon</td> </tr> <tr> <td></td> <td>■ CUSTOM</td> </tr> </table> | Optional | Finish Panel | ■ 1 acoustic panel 123635XX0 | ■ 82 BL Blue | ■ 1 acoustic panel 123636XX0 | ■ 83 EGP Eggplant | | ■ 84 SLM Salmon | | ■ CUSTOM |
| Optional | Finish Panel | | | | | | | | | | |
| ■ 1 acoustic panel 123635XX0 | ■ 82 BL Blue | | | | | | | | | | |
| ■ 1 acoustic panel 123636XX0 | ■ 83 EGP Eggplant | | | | | | | | | | |
| | ■ 84 SLM Salmon | | | | | | | | | | |
| | ■ CUSTOM | | | | | | | | | | |



| Code | Composition includes | | | | | | | | | | |
|---|---|-----------------------|---------------------|---|----------------|----------------|-------------------|---------------|-----------------|-----------------------|----------|
| ■ L165.5D revolta | <ul style="list-style-type: none"> 1 linear canopy 113536XX7 5 units of T-3636C 5 drivers / Dimmable Triac | | | | | | | | | | |
| | <table border="0"> <tr> <td>Canopy</td> <td>Body</td> <td>Head</td> </tr> <tr> <td>■ 26 BLK Black</td> <td>■ 26 BLK Black</td> <td>■ 26 BLK Black</td> </tr> <tr> <td>■ 71 WH White</td> <td></td> <td>■ 61 S GLD Satin Gold</td> </tr> </table> | Canopy | Body | Head | ■ 26 BLK Black | ■ 26 BLK Black | ■ 26 BLK Black | ■ 71 WH White | | ■ 61 S GLD Satin Gold | |
| Canopy | Body | Head | | | | | | | | | |
| ■ 26 BLK Black | ■ 26 BLK Black | ■ 26 BLK Black | | | | | | | | | |
| ■ 71 WH White | | ■ 61 S GLD Satin Gold | | | | | | | | | |
| | <table border="0"> <tr> <td>Optional</td> <td>Finish Panel</td> </tr> <tr> <td>■ Add up to 5 acoustic panels 123636XX0</td> <td>■ 82 BL Blue</td> </tr> <tr> <td></td> <td>■ 83 EGP Eggplant</td> </tr> <tr> <td></td> <td>■ 84 SLM Salmon</td> </tr> <tr> <td></td> <td>■ CUSTOM</td> </tr> </table> | Optional | Finish Panel | ■ Add up to 5 acoustic panels 123636XX0 | ■ 82 BL Blue | | ■ 83 EGP Eggplant | | ■ 84 SLM Salmon | | ■ CUSTOM |
| Optional | Finish Panel | | | | | | | | | | |
| ■ Add up to 5 acoustic panels 123636XX0 | ■ 82 BL Blue | | | | | | | | | | |
| | ■ 83 EGP Eggplant | | | | | | | | | | |
| | ■ 84 SLM Salmon | | | | | | | | | | |
| | ■ CUSTOM | | | | | | | | | | |



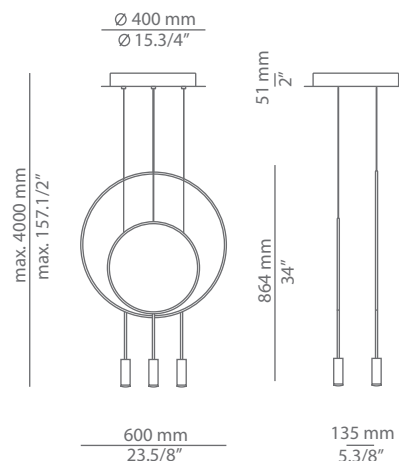
REVOLTA

T-3635 / T-3636

suspension

| | |
|------------------|-----------------|
| Date | Type |
| Project | |
| Location | |
| Model # | Quantity |
| Specifier | |

| Code | Composition includes | | | | | | | | | | | | | | | | | | | |
|------------------------------|---|-----------------------|-------------|-------------|----------------|----------------|----------------|---------------|--|-----------------------|-----------------|---------------------|------------------------------|--------------|------------------------------|-------------------|--|-----------------|--|----------|
| ■ R40.1S1D revolta | <ul style="list-style-type: none"> ■ 1 round canopy 113636XX1 ■ 1 unit of T-3635C ■ 1 unit of T-3636C ■ 2 drivers / Dimmable Triac <table border="0" style="width: 100%; margin-top: 10px;"> <tr> <td style="width: 33%;">Canopy</td> <td style="width: 33%;">Body</td> <td style="width: 33%;">Head</td> </tr> <tr> <td>■ 26 BLK Black</td> <td>■ 26 BLK Black</td> <td>■ 26 BLK Black</td> </tr> <tr> <td>■ 71 WH White</td> <td></td> <td>■ 61 S GLD Satin Gold</td> </tr> </table> <table border="0" style="width: 100%; margin-top: 10px;"> <tr> <td style="width: 50%;">Optional</td> <td style="width: 50%;">Finish Panel</td> </tr> <tr> <td>■ 1 acoustic panel 123635XX0</td> <td>■ 82 BL Blue</td> </tr> <tr> <td>■ 1 acoustic panel 123636XX0</td> <td>■ 83 EGP Eggplant</td> </tr> <tr> <td></td> <td>■ 84 SLM Salmon</td> </tr> <tr> <td></td> <td>■ CUSTOM</td> </tr> </table> | Canopy | Body | Head | ■ 26 BLK Black | ■ 26 BLK Black | ■ 26 BLK Black | ■ 71 WH White | | ■ 61 S GLD Satin Gold | Optional | Finish Panel | ■ 1 acoustic panel 123635XX0 | ■ 82 BL Blue | ■ 1 acoustic panel 123636XX0 | ■ 83 EGP Eggplant | | ■ 84 SLM Salmon | | ■ CUSTOM |
| Canopy | Body | Head | | | | | | | | | | | | | | | | | | |
| ■ 26 BLK Black | ■ 26 BLK Black | ■ 26 BLK Black | | | | | | | | | | | | | | | | | | |
| ■ 71 WH White | | ■ 61 S GLD Satin Gold | | | | | | | | | | | | | | | | | | |
| Optional | Finish Panel | | | | | | | | | | | | | | | | | | | |
| ■ 1 acoustic panel 123635XX0 | ■ 82 BL Blue | | | | | | | | | | | | | | | | | | | |
| ■ 1 acoustic panel 123636XX0 | ■ 83 EGP Eggplant | | | | | | | | | | | | | | | | | | | |
| | ■ 84 SLM Salmon | | | | | | | | | | | | | | | | | | | |
| | ■ CUSTOM | | | | | | | | | | | | | | | | | | | |



| Code | Composition includes | | | | | | | | | | | | | | | | | | | |
|---|--|-----------------------|-------------|-------------|----------------|----------------|----------------|---------------|--|-----------------------|-----------------|---------------------|---|--------------|--|-------------------|--|-----------------|--|----------|
| ■ R70.3S revolta | <ul style="list-style-type: none"> ■ 1 round canopy 113536XX4 ■ 3 units of T-3635C ■ 3 drivers / Dimmable Triac <table border="0" style="width: 100%; margin-top: 10px;"> <tr> <td style="width: 33%;">Canopy</td> <td style="width: 33%;">Body</td> <td style="width: 33%;">Head</td> </tr> <tr> <td>■ 26 BLK Black</td> <td>■ 26 BLK Black</td> <td>■ 26 BLK Black</td> </tr> <tr> <td>■ 71 WH White</td> <td></td> <td>■ 61 S GLD Satin Gold</td> </tr> </table> <table border="0" style="width: 100%; margin-top: 10px;"> <tr> <td style="width: 50%;">Optional</td> <td style="width: 50%;">Finish Panel</td> </tr> <tr> <td>■ Add up to 3 acoustic panels 123635XX0</td> <td>■ 82 BL Blue</td> </tr> <tr> <td></td> <td>■ 83 EGP Eggplant</td> </tr> <tr> <td></td> <td>■ 84 SLM Salmon</td> </tr> <tr> <td></td> <td>■ CUSTOM</td> </tr> </table> | Canopy | Body | Head | ■ 26 BLK Black | ■ 26 BLK Black | ■ 26 BLK Black | ■ 71 WH White | | ■ 61 S GLD Satin Gold | Optional | Finish Panel | ■ Add up to 3 acoustic panels 123635XX0 | ■ 82 BL Blue | | ■ 83 EGP Eggplant | | ■ 84 SLM Salmon | | ■ CUSTOM |
| Canopy | Body | Head | | | | | | | | | | | | | | | | | | |
| ■ 26 BLK Black | ■ 26 BLK Black | ■ 26 BLK Black | | | | | | | | | | | | | | | | | | |
| ■ 71 WH White | | ■ 61 S GLD Satin Gold | | | | | | | | | | | | | | | | | | |
| Optional | Finish Panel | | | | | | | | | | | | | | | | | | | |
| ■ Add up to 3 acoustic panels 123635XX0 | ■ 82 BL Blue | | | | | | | | | | | | | | | | | | | |
| | ■ 83 EGP Eggplant | | | | | | | | | | | | | | | | | | | |
| | ■ 84 SLM Salmon | | | | | | | | | | | | | | | | | | | |
| | ■ CUSTOM | | | | | | | | | | | | | | | | | | | |

