

# Safety & Installation Instructions

v1.2-04.19

ENG WARNING – RISK OF FIRE AND ELECTRIC SHOCK. THIS PRODUCT IS BEST INSTALLED BY A QUALIFIED ELECTRICIAN. INSTALL IN ACCORDANCE WITH CURRENT NEC WIRING REGULATIONS.

SUITABLE FOR DRY LOCATIONS ONLY

THE FITTING MUST BE GROUNDED. TURN OFF POWER AT THE MAIN FUSE BEFORE COMMENCING INSTALLATION.

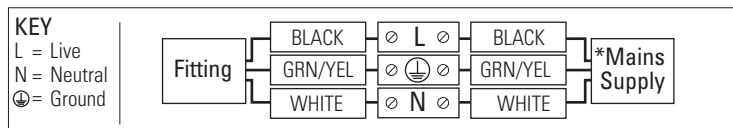
FR ATTENTION – RISQUE D'INCENDIE, RISQUE DE CHOC.

CE PRODUIT DOIT ÊTRE INSTALLÉ SELON LE CODE D'INSTALLATION PERTINENT, PAR UNE PERSONNE QUI CONNAÎT BIEN LE PRODUIT ET SON FONCTIONNEMENT AINSI QUE LES RISQUES INHÉRENTS.

POUR EMPLACEMENTS SECS SEULEMENT

L'APPAREIL DOIT ÊTRE MIS À LA TERRE. COUPEZ LE FUSIBLE PRINCIPAL AVANT DE COMMENCER L'INSTALLATION.

1. If you are in any doubt consult a qualified electrician as to the installation of the fitting. Install in accordance with current NEC wiring regulations. It is recommended that this fitting is installed by a qualified electrician.
2. Ensure that the electrical supply is OFF. Disconnect the electrical supply at the fuse-board.
3. If removing an existing fitting first, note all wiring connections: record which of the house wires is connected to the live, neutral and earth terminals.
4. Carefully identify where the supply cable is (and check there are no other cables in the area) to avoid damage to concealed wiring during installation.
5. Position the light where desired ensuring that there is access to a suitable junction box for the fixture.
6. Using your existing junction box, use a screwdriver to open the junction box. Keep the two existing screws. This fitting should be installed on a 4" junction box (not supplied).
7. Support the fitting so that no strain is applied to the wiring when making the electrical connections. If necessary get a colleague to help.
8. Electrical connection: this light fitting must be grounded. In your junction box there should be two supply and one ground wire. Connect the power supply (live) Black wire to the Black conductor on the lamp cord, neutral White wire to the White conductor on the lamp cord and ground wire (normally green & yellow or bare copper) to the green/yellow wire.



9. Double check all the connections are secure and that no loose strands of wire are left out of the connectors, then fit all the wires and connections back into the junction box.
10. Check that no wires are trapped behind or within the fitting and complete the installation, referring to the installation diagram inside.
11. Fit the correct type and wattage of lamp (or less). Be careful not to overtighten the lamp.
12. Switch on at the fuse-board. Your light fitting is now ready for use.

## Other Important Information

Switch off at mains before changing lamp(s). Never fit a lamp of greater wattage than recommended. Ensure children do not play with the light fitting. Dispose of old lamps carefully. Never leave a fitting without a lamp in position (or someone can accidentally touch the contacts). Adjust fitting only when power to the fitting is off and has been left to cool. If the electrical flex or electrical components become damaged at any point, power to the fitting should be disconnected immediately and not operated until the damaged parts are fixed/replaced. For use in dry, indoor environment only. Ensure the fitting does not come into contact with any liquids.

## Cleaning and Maintenance

Metal finishes should only be cleaned with a soft, dry cloth. Do not use polishes or abrasives. Switch off power to the fitting before cleaning. Spare parts are available for this product, please contact us on the details below.

Established in 1990, Original BTC manufactures relaxed, familiar lighting for traditional and contemporary homes.

All products are hand-assembled in Oxford from high quality components, produced in the UK.

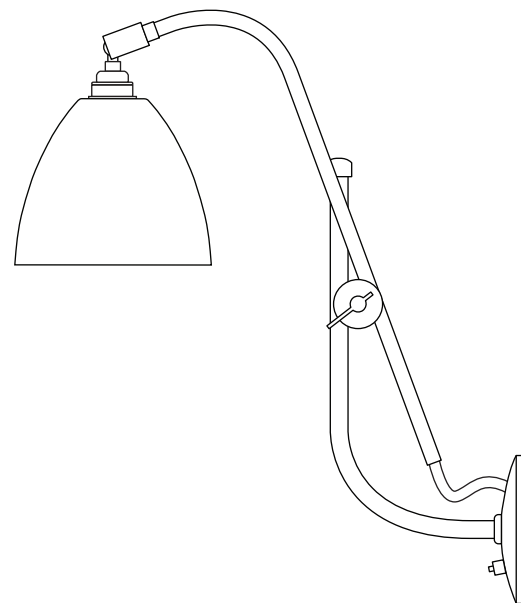
ORIGINALBTC.COM

+44 (0)1993 882 251

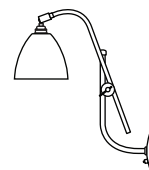
UNIT 21 / 22 AVENUE ONE, STATION LANE, WITNEY, OX28 4XZ, ENGLAND



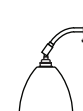
# Task Wall Light Instruction Manual



Wall  
US-FW341



Short Wall  
US-FW390



Ceramic  
US-FW437






**ORIGINAL BTC**  
BRITISH LIGHTING MANUFACTURERS  
LONDON - NEW YORK - PARIS



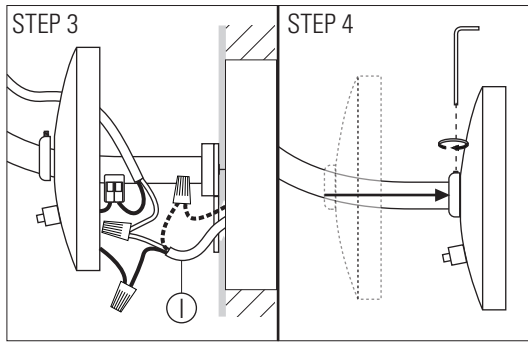
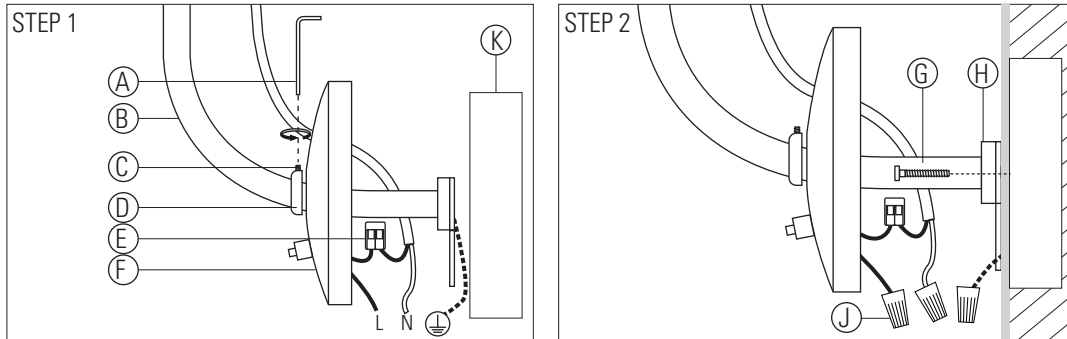
# Task Wall Light

| 120V ac 60Hz | IP20 |

US-FW341 Task Wall  
 US-FW390 Task Short Wall  
 US-FW437 Task Ceramic

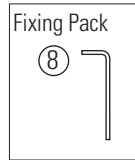
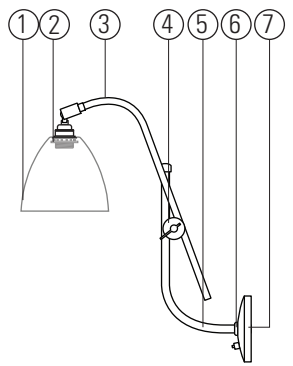
| LAMP GUIDANCE Task Wall  |  |   |                |
|--|--|---|----------------|
| BASE   | SHAPE  | TYPE*   | WATTAGE**      |
| <br>E26  | <br>A | <br>BALL | INCANDESCENT ✓ |
|  |  |   | CFL ✓          |
|  |  |   | ECO-HALOGEN ✓  |
|  |  |   | LED ✓          |
| * Warm white (2700k) low energy lamps recommended.<br>** Wattage value provided as a guide to suitable lamps. Lower wattage than stated may be used. |  |   |                |

## Installation Diagram



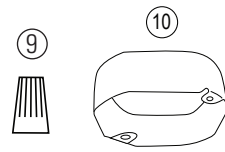
| Key |                    |
|-----|--------------------|
| A   | Allen Key          |
| B   | Stem/Arm           |
| C   | Grub screw         |
| D   | Slip Collar        |
| E   | Wago               |
| F   | Backplate          |
| G   | Junction box screw |
| H   | Fixing bracket     |
| I   | Main Supply        |
| J   | Wire Nuts*         |
| K   | Junction Box*      |

\*Not supplied



- Contents**
- 1 - Shade
  - 2 - Shade ring x 2
  - 3 - Arm\*
  - 4 - Clamp\*
  - 5 - Stem
  - 6 - Slip Collar
  - 7 - Backplate
  - 8 - Allen key
- \*FW341only

- Required for Installation**
- 9 - 3 x Wire nuts
  - 10 - Junction Box
  - Screwdriver



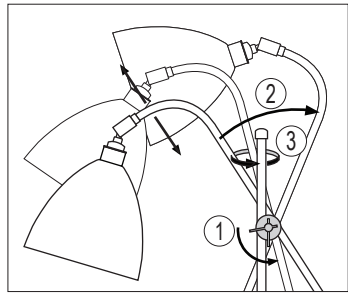
PLEASE READ THE INSTRUCTIONS ON THE REVERSE BEFORE YOU BEGIN INSTALLING YOUR LIGHT

## Installation and Assembly Instructions

Refer to diagrams on opposite page.

- STEP 1**  
 Loosen slip collar (D), by unscrewing grub screw (C) using Allen key (A) provided. This will allow the backplate (F) to be moved along the stem/arm to access fixing bracket.
- Fix**
- STEP 2**  
 Make electrical connection to mains supply, see instructions on reverse page.
- STEP 3**  
 Make electrical connection to mains supply, see points 5 to 10 on reverse page.
- STEP 4**  
 Slide backplate (F) over fixing bracket, so that it is flush with wall and straight, before securing in position by pushing collar up to backplate and tightening grub screw so the collar securely holds the backplate in position.

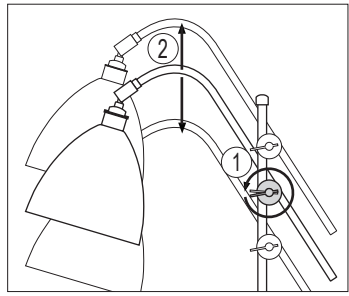
### Adjusting Position of Arm\*



- 1 Loosen the handle of the clamp, by gently turning clamp by one quarter turn in an anti-clockwise direction.
- 2 Position arm into desired position, then secure by tightening handle of clamp firmly. Do not overtighten.
- 3 The arm may be rotated, when held in the clamp by gently twisting the arm while holding the clamp in position.

\*FW341 Only

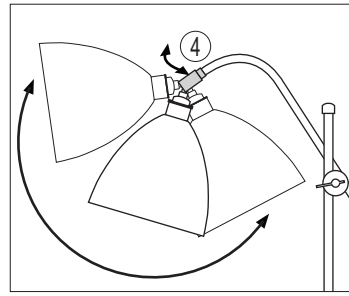
### Adjusting Height of Arm\*



- 1 Loosen the handle of the clamp, by gently turning clamp almost one full turn in an anti-clockwise direction.
- 2 While supporting both clamp and arm, position arm at desired height, then secure by tightening handle of clamp firmly. Do not overtighten.

\*FW341 Only

### Adjusting Shade



- The swivel joint allows great flexibility of movement, allowing the shade to be tilted or rotated into position as desired.
- Adjust angle of shade by gently pivoting shade on swivel joint (4)- tilting up/down up to 90° or rotating up to 180° in either direction.

**⚠** When adjusting the clamp, ensure it is supported with other hand and take care not to loosen the handle too far, as this can cause the handle to detach from the clamp body and fall from the fitting, causing damage/injury.