

Safety & Installation Instructions

v1.2-11.18

These instructions are provided for your safety in order to prevent the risk of Fire, Electric shock or Injury. It is vitally important that they are read in their entirety before installing your fitting. Please retain for future reference.

ENG WARNING – RISK OF FIRE AND ELECTRIC SHOCK. THIS PRODUCT IS BEST INSTALLED BY A QUALIFIED ELECTRICIAN. INSTALL IN ACCORDANCE WITH CURRENT NEC WIRING REGULATIONS.

SUITABLE FOR DAMP LOCATIONS

THE FITTING MUST BE GROUNDED. TURN OFF POWER AT THE MAIN FUSE BEFORE COMMENCING INSTALLATION.

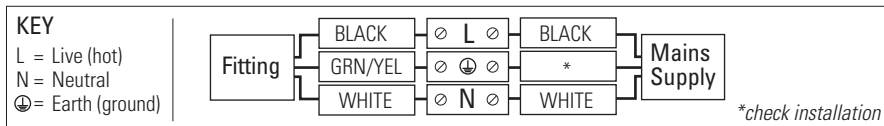
FR ATTENTION – RISQUE D'INCENDIE, RISQUE DE CHOC.

CE PRODUIT DOIT ÊTRE INSTALLÉ SELON LE CODE D'INSTALLATION PERTINENT, PAR UNE PERSONNE QUI CONNAÎT BIEN LE PRODUIT ET SON FONCTIONNEMENT AINSI QUE LES RISQUES INHÉRENTS.

CONVIENT AUX EMPLACEMENTS HUMIDES

L'APPAREIL DOIT ÊTRE MIS À LA TERRE. COUPEZ LE FUSIBLE PRINCIPAL AVANT DE COMMENCER L'INSTALLATION.

1. Prepare the fitting for installation- consulting the instructions and diagrams on the inside page. Once desired drop of pendant is established, the cable (marked (H) in the diagram inside) length, may be shortened. If cable is desired length already, then skip to instruction point number 3.
2. To shorten cable:
 - a. Establish required length of cable (ensuring there is some slack) before using wire cutters to cut.
 - b. Remove the outer insulation from the last 6" of the end of the cable, then remove the last 1/4" of inner sleeving from both cables to expose the wire.
 - c. Make sure that when stripping the outer cable no damage occurs to the interior cable.Wire support assembly: use a small screwdriver to loosen the screws of the grip, pull wire through and fully tighten ensuring a firm grip on the wire once desired length achieved. Wire must be shorter than the cable to avoid straining the cable.
3. This fitting should be installed on a 4" junction box (not supplied).
4. Open your existing junction box (if you do not have one in the desired position you will need to get an electrician to install one). If removing an existing fitting first, note all wiring connections: record which of the house wires is connected to the live, neutral and earth (ground) terminals.
5. Attach the fixing plate to your junction box using the two existing bolts.
6. In your junction box there should be two supply wires and one ground wire. Connect your new lamp to the electrical supply using UL approved wire nuts. Connect the live (hot) black wire from the power supply to the black conductor on the luminaire cable, then the white (neutral) wire to the white conductor on the luminaire cable and bare copper or green/yellow ground wire to the ground terminal or green/yellow wire connected to the fitting. Support the fitting so that no strain is applied to the wiring when making the electrical connections. If necessary get a colleague to help.



7. See hanging instructions inside to mount your fitting to the junction box (attaching to fixing plate) and complete the installation.
8. Fit the correct type and wattage of lamp (or less). Be careful not to overtighten the lamp.
9. Switch on at the fuse-board. Your light fitting is now ready for use.

Other Important Information

Switch off at mains before changing lamp(s). Never fit a lamp of greater wattage than recommended. Ensure children do not play with the light fitting. Dispose of old lamps carefully. Never leave a fitting without a lamp in position (or someone can accidentally touch the contacts). If the electrical flex or electrical components become damaged at any point, power to the fitting should be disconnected immediately and not operated until the damaged parts are fixed/replaced.

Cleaning and Maintenance

Metal finishes should only be cleaned with a soft, dry cloth. Do not use polishes or abrasives. Glass can be cleaned by hand, using a soft damp cloth with a diluted mild detergent (nonabrasive) or suitable glass cleaner if necessary. Switch off power to the fitting before cleaning. Spare parts are available for this product, please contact us on the details below.

Established in 1990, Original BTC manufactures relaxed, familiar lighting for traditional and contemporary homes.

All products are hand-assembled in Oxford from high quality components, produced in the UK.

ORIGINALBTC.COM

+44 (0)1993 882 251

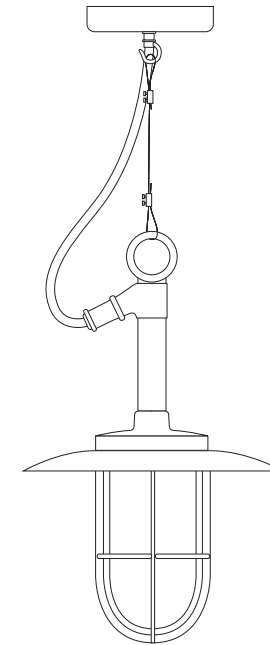
UNIT 21 / 22 AVENUE ONE, STATION LANE, WITNEY, OX28 4XZ, ENGLAND



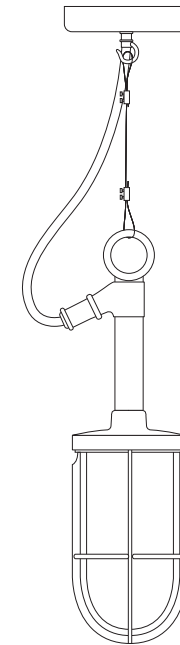
Ship's Well Glass Pendants

US-DP7523 - US-DP7524

Instruction Manual



Ship's Well Glass Pendant
US-DP7523



Ship's Well Glass Pendant
US-DP7524

ORIGINAL BTC
BRITISH LIGHTING MANUFACTURERS
LONDON • NEW YORK • PARIS



Ship's Well Glass Pendants




| 120V ac 60Hz | IP44 |

US-DP7523

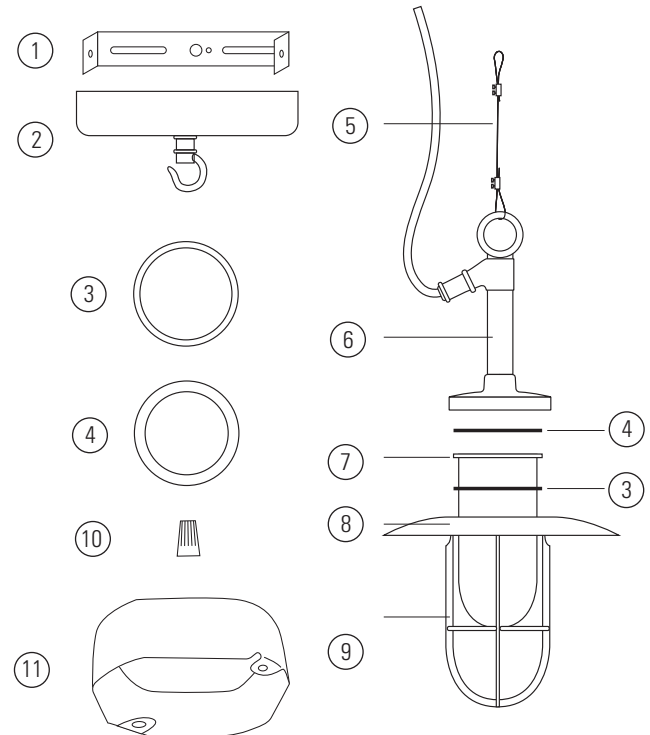
Ship's Well Glass Pendant

US-DP7524

Ship's Well Glass Pendant

LAMP GUIDANCE					
BASE	SHAPE		TYPE*	WATTAGE**	
 E26	 A	 BALL	INCANDESCENT	✓	60W MAX
			CFL	✓	15W
			ECO-HALOGEN	✓	28W
			LED	✓	12W
* Warm white (2700k) low energy lamps recommended. ** Wattage value provided as a guide to suitable lamps. Lower wattage than stated may be used.					

PLEASE READ THE INSTRUCTIONS ON THE REVERSE BEFORE YOU BEGIN INSTALLING YOUR LIGHT



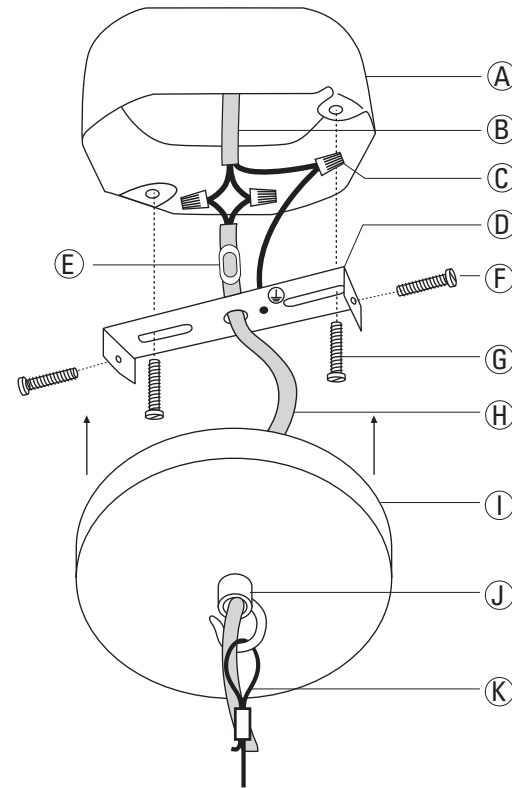
Contents

- 1 - Bracket
- 2 - Ceiling hook
- 3 - Narrow Gasket
- 4 - Wide Gasket
- 5 - Suspension Wire
- 6 - Top Fitting
- 7 - Well Glass
- 8 - Reflector (7523 only)
- 9 - Guard

Required for Installation

- Small screwdriver, flat-head
- Connection Nuts (10)
- Junction Box (11)

Installation Diagram



Key

- A Junction Box*
- B Main Supply
- C Wire Nuts*
- D Mounting Bracket
- E Cord Restraint
- F Side Fixing Screws
- G Junction Box Screws*
- H Luminaire Cable
- I Ceiling Rose
- J Hook
- K Wire Loop
- *not supplied

Installation and Assembly Instructions

Refer to diagram above.

STEP 1

Determine the required drop of the fitting and adjust luminaire cable (H) length as necessary see point 2 overleaf.

STEP 2

Screw the mounting bracket (D) to the junction box using existing screws.

STEP 3

Make connection to the mains supply (follow instructions over leaf), using suitable wire nuts.

STEP 4

Secure ceiling plate cover to mounting bracket using side fixing screws.

STEP 5

Ensuring the gaskets are correctly positioned - ensure guard is firmly screwed into the pan to support the glass in position, but take care not to overtighten as this can put excessive pressure on the glass, causing it to crack.

STEP 6

Once lamp is inserted and power is restored, your fitting will be ready for operation.

If installing in a damp location, the ceiling rose and connections must be sealed against any moisture ingress, using a suitable silicone sealant around the ceiling rose.