

Safety & Installation Instructions

v1.1-05.19

ENG WARNING – RISK OF FIRE AND ELECTRIC SHOCK.
SUITABLE FOR DRY LOCATIONS ONLY
FR ATTENTION – RISQUE D'INCENDIE, RISQUE DE CHOC.
POUR EMPLACEMENTS SECS SEULEMENT

These instructions are provided for your safety in order to prevent the risk of Fire, Electric shock or Injury. It is vitally important that they are read in their entirety before installing your fitting. Please retain for future reference.

1. If you are in any doubt consult a qualified electrician as to the installation of the fitting.
2. Ensure that the electrical supply is OFF. Disconnect the electrical supply at the fuse-board.
3. Identify any concealed wiring or pipes in the chosen installation location before beginning the installation to avoid damage.
4. Position the light where desired ensuring that there is suitable support adjacent to where you will connect to the house supply and mark position of fixing holes, before drilling appropriate holes as below.
5.
 - a. Brick or masonry: Drill holes into which the wall plugs tightly fit, then insert wall plugs.
 - b. Wood: No hole necessary (unless small pilot hole required), screws can be screwed directly into the timber.
 - c. Plaster/Cavity: Special cavity wall fittings are required, rather than provided fixings. These are widely available from good hardware or DIY store and should come with their own instructions that must be followed. It may be easier to relocate the fitting so that you screw directly into a timber joist or beam.
6. Follow the instructions inside to complete the installation
7. Fit the correct type and wattage of lamp (or less). Be careful not to overtighten the lamp.
8. Switch on at the fuse-board. Your light fitting is now ready for use.

Other Important Information

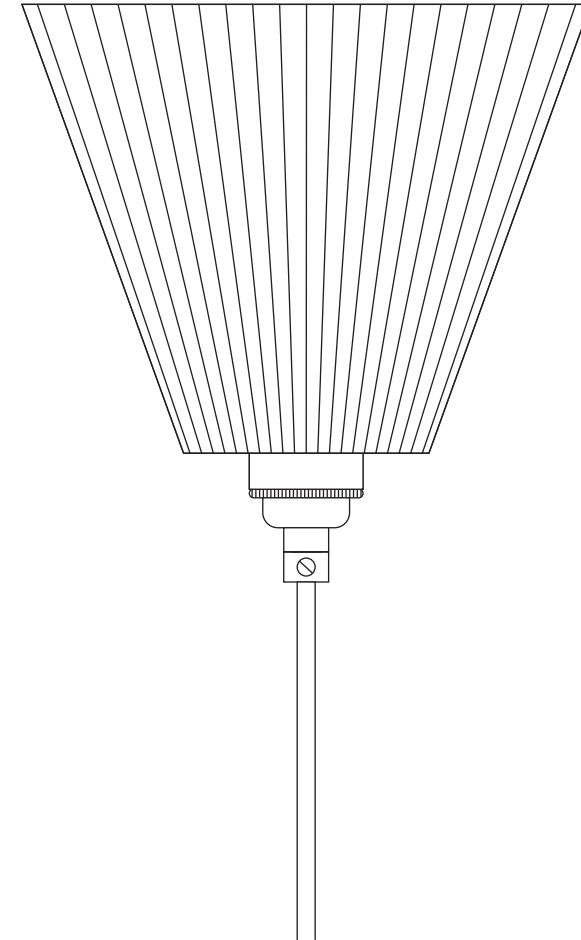
- Ensure the lamp type and max wattage is followed- do not exceed. Take care not to overtighten lamp.
- Do not touch the lamp (bulb) or lamp holder while in operation, as both become very hot.
- Turn off and unplug fitting, leaving lamp to cool before changing lamp. Dispose of old lamps carefully.
- Adjust light fitting only when power to the fitting is off and has been left to cool.
- Never leave a fitting without a lamp in position.
- Keep light fitting away from combustible materials such as soft furnishings.
- Ensure children do not play with the light fitting. Trailing cables can pose a strangulation hazard to young children. If the light is to be installed in an area young children can access unsupervised we recommend attaching the cable to the wall using a suitable cable clip, available at good hardware stores.
- If the electrical flex or electrical components become damaged at any point, the fitting must be unplugged from the power supply immediately and not operated until the damaged parts are fixed/replaced.
- For use in a dry, indoor environment only. Ensure the fitting does not come into contact with any liquids.

Cleaning and Maintenance

Metal finishes should only be cleaned with a soft, dry cloth. Do not use polishes or abrasives. Bone china can be cleaned by hand, using a soft damp cloth with a diluted mild detergent (nonabrasive) if necessary. Switch off power to the fitting before cleaning. Spare parts are available for this product, please contact us on the details below.

Portable Pleat Wall Light

Instruction Manual



Established in 1990, Original BTC manufactures relaxed, familiar lighting for traditional and contemporary homes.

All products are hand-assembled in Oxford from high quality components, produced in the UK.

ORIGINALBTC.COM

+44 (0)1993 882 251

UNIT 21 / 22 AVENUE ONE, STATION LANE, WITNEY, OX28 4XZ, ENGLAND



ORIGINAL BTC
BRITISH LIGHTING MANUFACTURERS
LONDON - NEW YORK - PARIS






Portable Pleat Wall Light

| 120V ac 60Hz | IP20




US-FW545N Portable Medium Pleat Wall Light, Sand & Taupe Braided Cable

US-FW546N Portable Large Pleat Wall Light, Sand & Taupe Braided Cable

The Portable Pleat is our most flexible wall light. A pleated bone china shade is held to the wall by a polished chromed round wall fixing. Available in two shade sizes, the light has 2.5m of cotton braided cable with an inline switch and plug. This allows the light to be positioned anywhere, without needing hard wiring.

LAMP GUIDANCE - US-FW545N Portable Medium Pleat					
BASE	SHAPE	TYPE*	WATTAGE**		
 E26	 A	 BALL	INCANDESCENT	✓	40W MAX
			CFL	✓	11W
			ECO-HALOGEN	✗	n/a
			LED	✓	7W

* Warm white (2700k) low energy lamps recommended.
 ** Wattage value provided as a guide to suitable lamps. Lower wattage than stated may be used.

LAMP GUIDANCE - US-FW546N Portable Large Pleat					
BASE	SHAPE	TYPE*	WATTAGE**		
 E26	 A	 BALL	INCANDESCENT	✓	60W MAX
			CFL	✓	15W
			ECO-HALOGEN	✓	42W
			LED	✓	12W

* Warm white (2700k) low energy lamps recommended.
 ** Wattage value provided as a guide to suitable lamps. Lower wattage than stated may be used.

PLEASE READ THE INSTRUCTIONS ON THE REVERSE BEFORE YOU BEGIN INSTALLING YOUR LIGHT

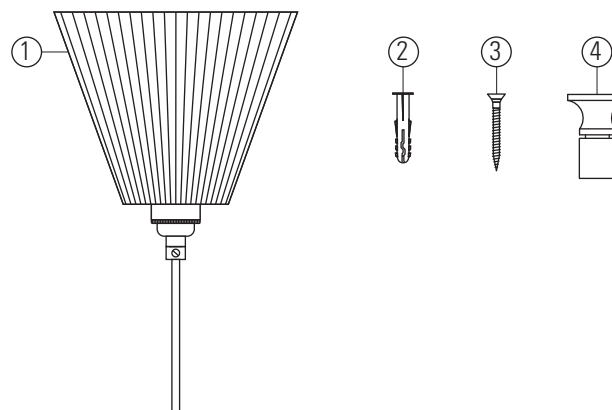
Hanging Instructions

This product is made from Fine Bone China; take care when handling this product during installation.

Refer to diagrams on the opposite page.

- Unscrew the two-part metal button fixing in the supplied fixing pack.
- Follow steps 2 to 4 on the back page. Ensure there is a plug socket located nearby.
- Screw the "Bracket" (D) to the wall.
- Attach the "Button" (A) to the bracket, screwing through the hole in the shade (B).
- Ensure that the shade hangs securely and the bracket is fixed securely to the wall.
- Insert the correct type of lamp, before plugging into a nearby socket.
- Your light is now ready for use.

Contents



Contents

- 1 Shade
- 2 Rawl plug
- 3 Fixing screw
- 4 2 Part fixing button

Tools Required

- Cross head screwdriver
- Drill (if holes are required)

Installation Diagram

Fig.1

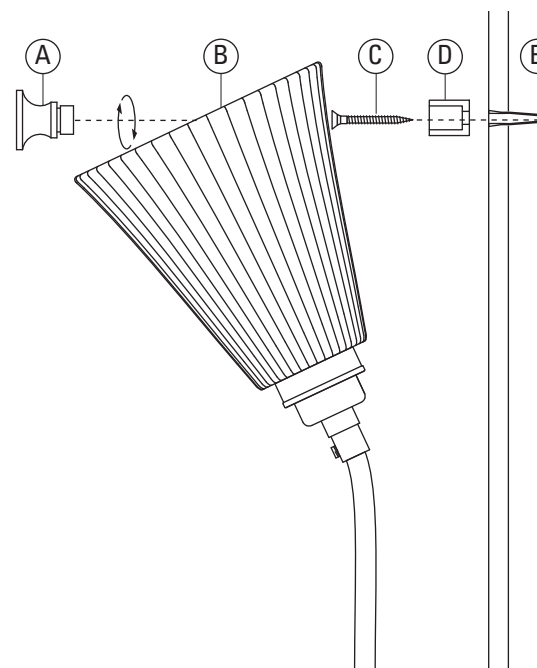
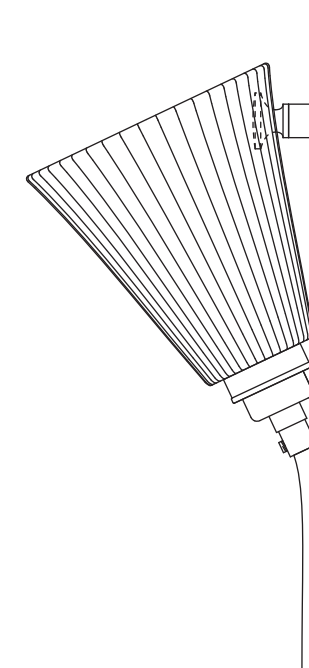


Fig.2



Key

- | | |
|----------|-------------|
| A Button | D Bracket |
| B Shade | E Rawl plug |
| C Screw | |