

ENG WARNING – RISK OF FIRE AND ELECTRIC SHOCK.

SUITABLE FOR DRY LOCATIONS ONLY

FR ATTENTION – RISQUE D'INCENDIE, RISQUE DE CHOC.

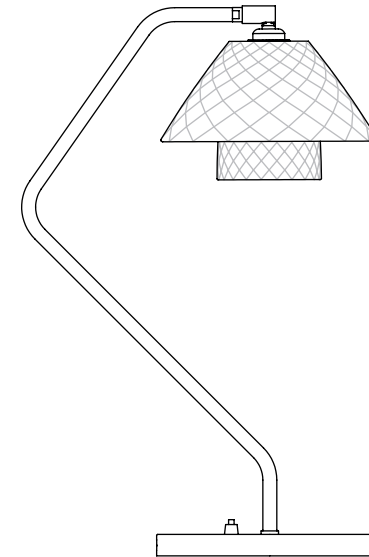
POUR EMPLACEMENTS SECS SEULEMENT

These instructions are provided for your safety in order to prevent the risk of Fire, Electric shock or Injury. Please retain for future reference. When fitting is in operation, some parts will become hot; take care when using/handling.

- Ensure the lamp type and max wattage is followed- do not exceed. Take care not to overtighten lamp.
- Do not touch the lamp (bulb) or lamp holder while in operation, as both become very hot.
- Turn off and unplug fitting, leaving lamp to cool before changing lamp. Dispose of old lamps carefully.
- Adjust light fitting only when power to the fitting is off and has been left to cool.
- Never leave a fitting without a lamp in position.
- Keep light fitting away from combustible materials such as soft furnishings.
- Ensure children do not play with the light fitting.
- Ensure the light is positioned on a solid, level and non-slip surface and make sure the position of the cable does not pose a trip hazard.
- If the electrical flex or electrical components become damaged at any point, the fitting must be unplugged from the power supply immediately and not operated until the damaged parts are fixed/replaced.
- For use in a dry, indoor environment only. Ensure the fitting does not come into contact with any liquids.

Cleaning and Maintenance

Metal finishes should only be cleaned with a soft, dry cloth. Do not use polishes or abrasives. Bone china can be cleaned by hand, using a soft damp cloth with a diluted mild detergent (nonabrasive) if necessary. Switch off power to the fitting before cleaning.



Desk Light
US-FT625




Established in 1990, Original BTC manufactures relaxed, familiar lighting for traditional and contemporary homes.

All products are hand-assembled in Oxford from high quality components, produced in the UK.

Oxford Double Desk Light

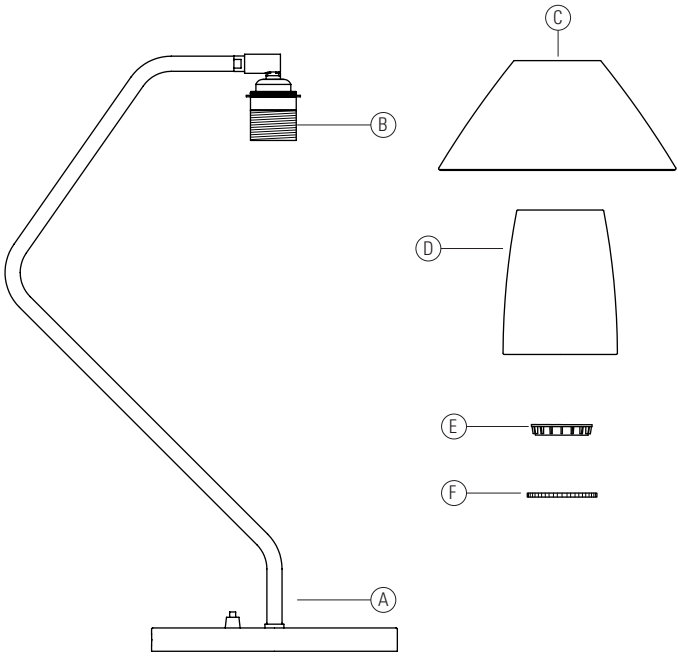
| 120V ac 60Hz | IP20 |

US-FT625/BR - Oxford Double desk light

| LAMP GUIDANCE | | | |
|--|--|--|----------------|
| BASE | SHAPE | TYPE* | WATTAGE** |
|  E26 |  TYPE A |  BALL | INCANDESCENT ✓ |
| | | | CFL ✓ |
| | | | ECO-HALOGEN ✓ |
| | | | LED ✓ |
| | | | 40W MAX |
| | | | 15W |
| | | | 28W |
| | | | 10W |

* Warm white (2700k) low energy lamps recommended.
 ** Wattage value provided as a guide to suitable lamps. Lower wattage than stated may be used.

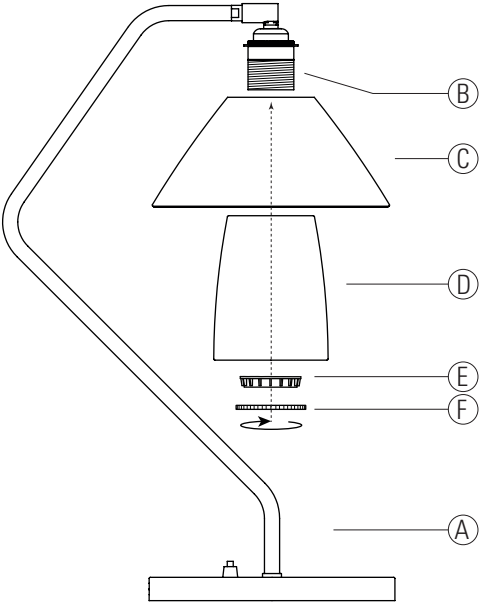
Contents



Contents

- A Lamp base
- B Lampholder
- C Conical shade
- D Cylindrical shade
- E Plastic shade ring
- F Brass shade ring

Assembly



- Place the large conical shade, then the smaller cylindrical shade over the lampholder and hold in place.
- Next place the plastic shade ring followed by the brass shade ring over the lampholder. Screw on the brass shade ring until the shades are secure (make sure the brass shade ring is aligned when threading it on - this can be a little tricky)
- Gently screw in the bulb. The light is now ready to use.