

### Product Description

The Nimbus Mains Wall Mount Switched Base light fixes directly to a wall. The light features a flexible stem to allow it to be positioned as required.

### Metal finish

The light comes in the following metal finishes:

- Clear Anodised Aluminium
- Anodised Titanium
- Anodised Bronze
- Polished Nickel Plate
- Gold Plate

### Leather finish

The light comes in the following leather finishes:

- Chocolate
- Beige
- Black
- Mushroom
- Off White

### Dimensions

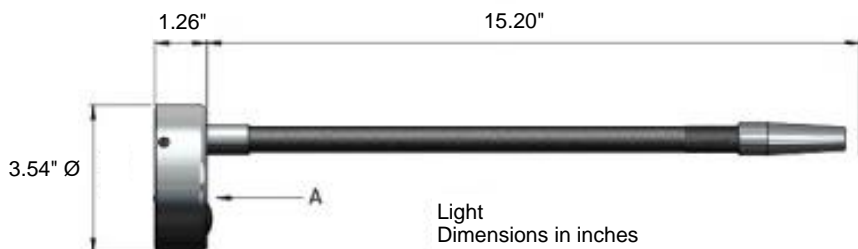
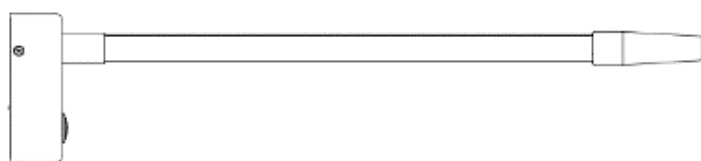
Depth/15.20"  
Mounting Base Cover Depth/1.26"  
Base Diameter/3.11"

### Electrical

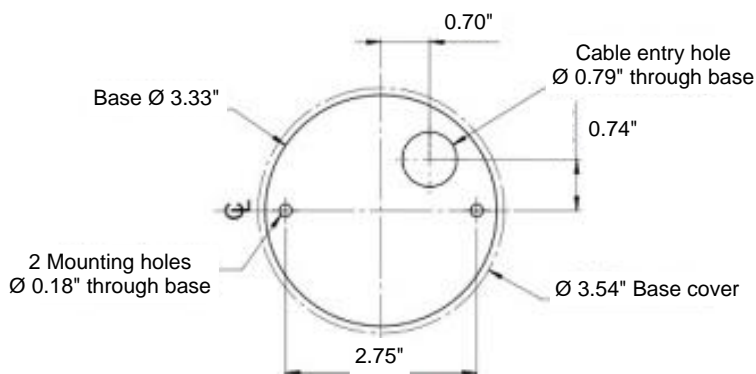
The light uses 3.9 Watts of energy. The base plate contains an integral driver allowing direct connection to 100-240 V AC, the connection is made inside the base plate.

The Nimbus light is available in the following LED colours and switching mode.

- Warm White/High, Medium, Off
- Cool White/High, Medium,

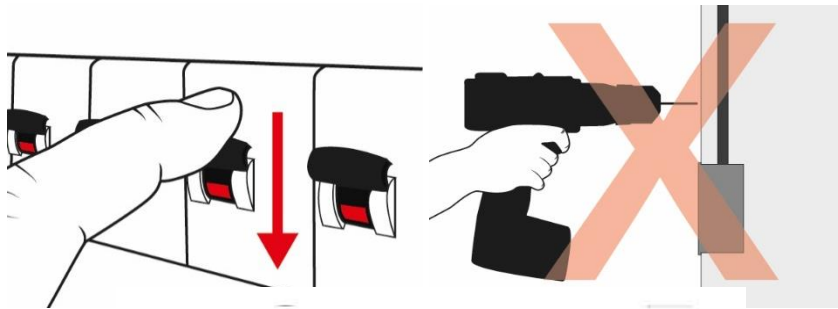


Light  
Dimensions in inches

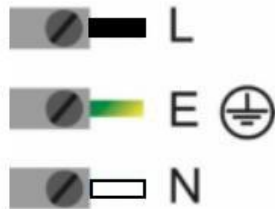


BASE UNIT  
FIXING DETAILS  
(As viewed from arrow "A")  
Dimensions in inches

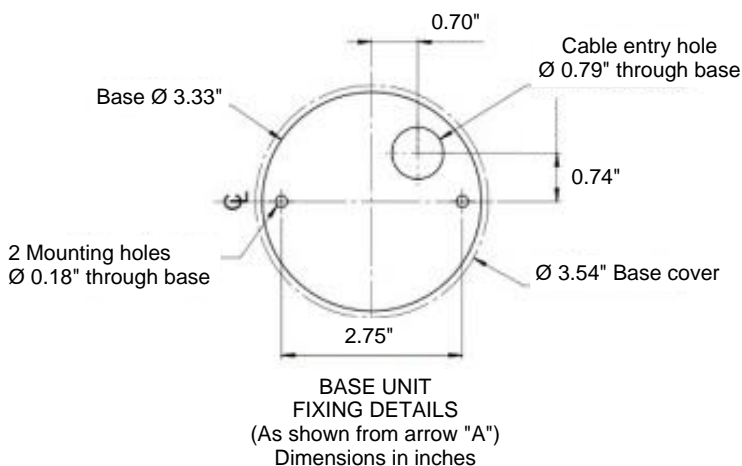
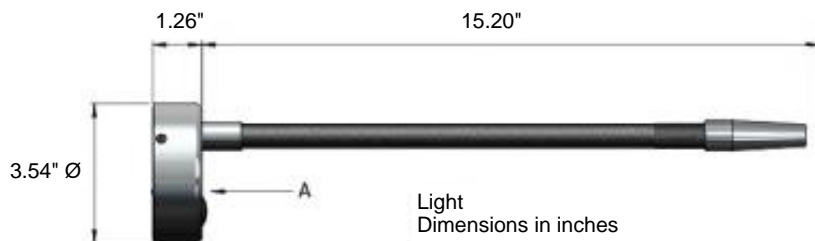
## Nimbus Range/Installation Instruction



**WARNING**  
This fitting **MUST** be earthed



It is of vital importance that these installation sheets and their associated images are closely studied before undertaking the installation process.



## Installation Preparation

Installation should only be carried out by a person who is capable and conversant with the current regulations regarding electrical installations in the country the light is being installed.

Please ensure the circuit which the light will be attached is installed and fused correctly according to the countries current regulations.

Ensure that electrical supply is off. Turn the supply off from the distribution board and ensure it can't be inadvertently turned back on.

Identify where the supply cable runs and any other wiring in the wall before deciding on a mounting position for the lamp to ensure no damage occurs to concealed wiring during installation.

If removing an existing fitting, make note of its wiring connections and record which of the supply wires id connected to which terminal. There may be a loop circuit that has wires that are not connected to the L, E or N of the fitting these will need to be connected together and correctly insulated.

## Maintenance Information

The product should only be cleaned with a soft dry cloth no cleaning agents should be used.

There is no maintenance required for Beadlight products other than cleaning with a soft cloth, no cleaning agents are to be used. There are no parts that require servicing or maintenance. If there is a problem with a light these need to be returned to Beadlight to be assessed.

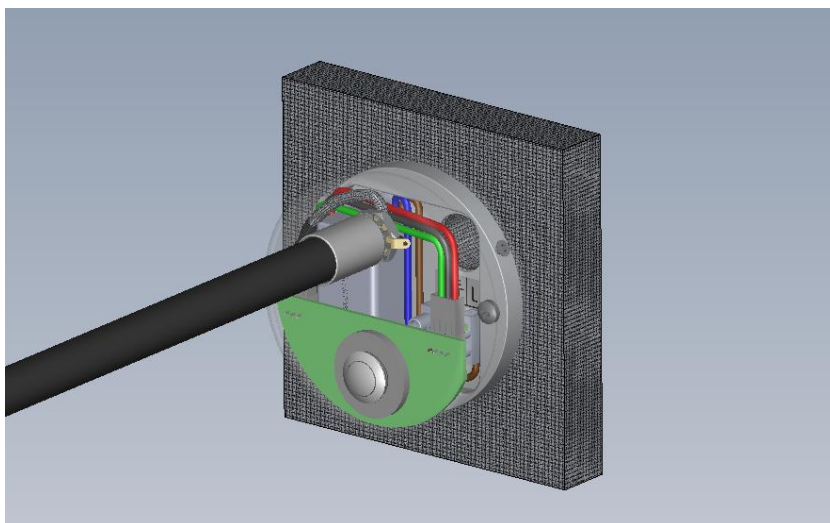
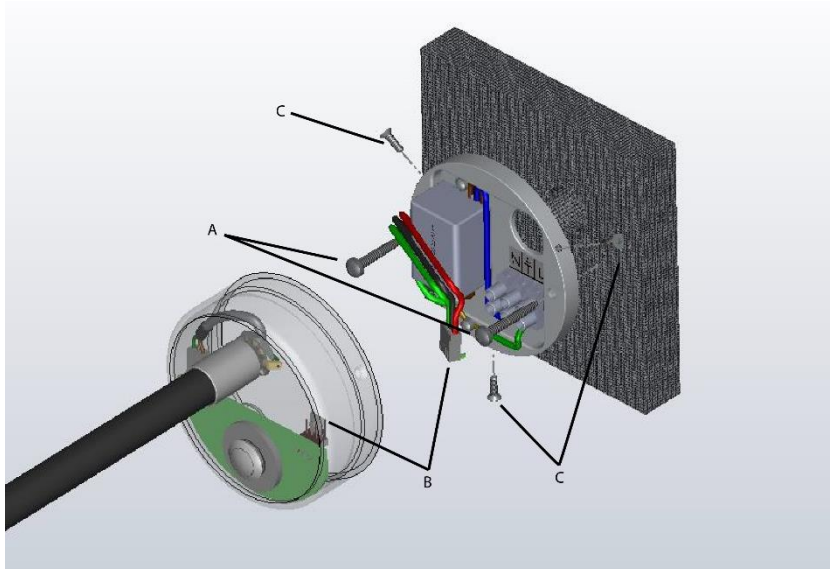
## Installation Process

Position the fitting in its desired position whilst ensuring that an adequate fixing can be obtained in that position.

Determine the best means of obtaining the fixing required when which is appropriate to wall construction. Ensure that the fitting is orientated with the stem nearest to the top of the base of the unit when mounted.

Prepare the wall by marking and drilling the fixing holes. Now you can go ahead and make the electrical connections. See next page.





**Images for reference.**  
**Wire colours may vary depending on country.**

### Electrical

Connect the earth conductor of your supply to the earth terminal on the fitting. Connect the live conductor of the supply to the terminal marked "L" and the neutral conductor to the terminal marked N.

Check again to ensure all wires are securely attached with no loose strands.

Check that there are no wires trapped behind the fitting. Please check images left to confirm wire orientation. When satisfied fix the unit firmly in place with the two fixing screws (A).

Plug the two mating connectors (B) together and then place the base cover over the base with the stem at the top. Make sure the screw holes align with the threaded holes. And screw into place (C).

Switch the power back on at the distribution board and you light is ready to use.

**If in doubt you must seek help from a competent electrical engineer.**

### Warranty

Beadlight Limited will repair or replace a product free of charge if it fails to operate due to manufacturing defects within 5 years of purchase.

This guarantee does not include faults or damage caused by misuse, abuse, neglect, incorrect cleaning, accident or failure to follow assembly/installation instructions provided by Beadlight.

Product disassembly or servicing by non-Beadlight staff will void the warranty.

### Other Information

Avoid mounting the unit on damp or newly painted surfaces to avoid discolouration of finish.

If the external cable or cord of this luminaire is damaged, it shall be exclusively replaced by the manufacturer or his or her service agent or a similar qualified person in order to avoid hazard.

The light source of this luminaire is not replaceable; when the light source reaches its end of life the whole luminaire shall be replaced. At the end of the products life it can be returned to Beadlight to be disposed of under the WEEE regulations.