

Safety & Installation Instructions

v1.2-04.19

Mini Globe Wall Light

Instruction Manual

ENG WARNING – RISK OF FIRE AND ELECTRIC SHOCK. THIS PRODUCT IS BEST INSTALLED BY A QUALIFIED ELECTRICIAN. INSTALL IN ACCORDANCE WITH CURRENT NEC WIRING REGULATIONS.

SUITABLE FOR DAMP LOCATIONS

THE FITTING MUST BE GROUNDED. TURN OFF POWER AT THE MAIN FUSE BEFORE COMMENCING INSTALLATION.

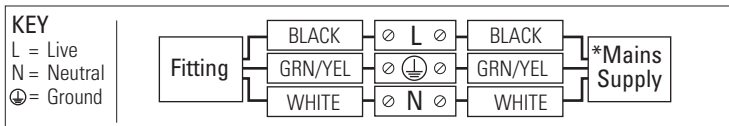
FR ATTENTION – RISQUE D'INCENDIE, RISQUE DE CHOC.

CE PRODUIT DOIT ÊTRE INSTALLÉ SELON LE CODE D'INSTALLATION PERTINENT, PAR UNE PERSONNE QUI CONNAÎT BIEN LE PRODUIT ET SON FONCTIONNEMENT AINSI QUE LES RISQUES INHÉRENTS.

CONVIENT AUX EMPLACEMENTS HUMIDES

L'APPAREIL DOIT ÊTRE MIS À LA TERRE. COUPEZ LE FUSIBLE PRINCIPAL AVANT DE COMMENCER L'INSTALLATION.

1. If you are in any doubt consult a qualified electrician as to the installation of the fitting. Install in accordance with current NEC wiring regulations. It is recommended that this fitting is installed by a qualified electrician.
2. Ensure that the electrical supply is OFF. Disconnect the electrical supply at the fuse-board.
3. If removing an existing fitting first, note all wiring connections: record which of the house wires is connected to the live, neutral and earth terminals.
4. Carefully identify where the supply cable is (and check there are no other cables in the area) to avoid damage to concealed wiring during installation.
5. Position the light where desired ensuring that there is access to a suitable junction box for the fixture.
6. Using your existing junction box, use a screwdriver to open the junction box. Keep the two existing screws. This fitting should be installed on a 4" junction box (not supplied).
7. Support the fitting so that no strain is applied to the wiring when making the electrical connections. If necessary get a colleague to help.
8. Electrical connection: this light fitting must be grounded. In your junction box there should be two supply and one ground wire. Connect the power supply (live) Black wire to the Black conductor on the lamp cord, neutral White wire to the White conductor on the lamp cord and ground wire (normally green & yellow or bare copper) to the green/yellow wire.



9. Double check all the connections are secure and that no loose strands of wire are left out of the connectors, then fit all the wires and connections back into the junction box.
10. Check that no wires are trapped behind or within the fitting and complete the installation, referring to the installation diagram inside.
11. Fit the correct type and wattage of lamp (or less). Be careful not to overtighten the lamp.
12. Switch on at the fuse-board. Your light fitting is now ready for use.

Other Important Information

Switch off at mains before changing lamp(s). Never fit a lamp of greater wattage than recommended. Ensure children do not play with the light fitting. Dispose of old lamps carefully. Never leave a fitting without a lamp in position (or someone can accidentally touch the contacts). Adjust fitting only when power to the fitting is off and has been left to cool. If the electrical flex or electrical components become damaged at any point, power to the fitting should be disconnected immediately and not operated until the damaged parts are fixed/replaced.

Cleaning and Maintenance

Metal finishes should only be cleaned with a soft, dry cloth. Do not use polishes or abrasives. Glass can be cleaned by hand, using a soft damp cloth with a diluted mild detergent (nonabrasive) if necessary. Switch off power to the fitting before cleaning. Spare parts are available for this product, please contact us on the details below.

Established in 1990, Original BTC manufactures relaxed, familiar lighting for traditional and contemporary homes.

All products are hand-assembled in Oxford from high quality components, produced in the UK.

ORIGINALBTC.COM

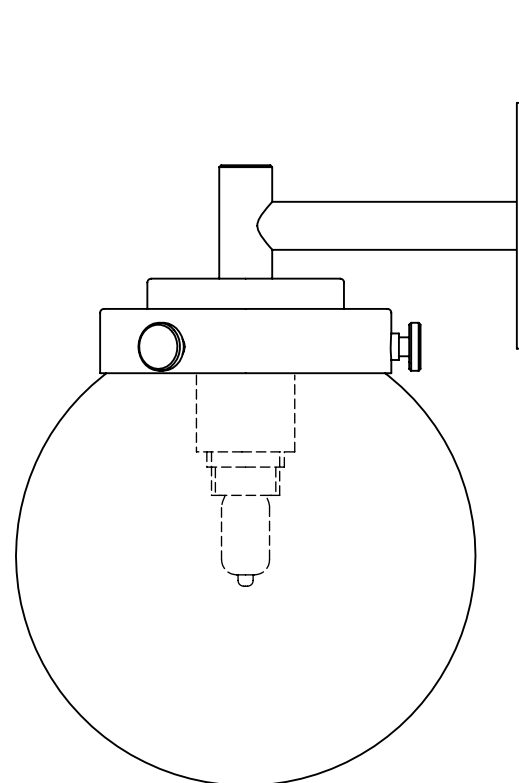
+44 (0)1993 882 251

UNIT 21 / 22 AVENUE ONE, STATION LANE, WITNEY, OX28 4XZ, ENGLAND



ORIGINAL BTC

BRITISH LIGHTING MANUFACTURERS
LONDON - NEW YORK - PARIS



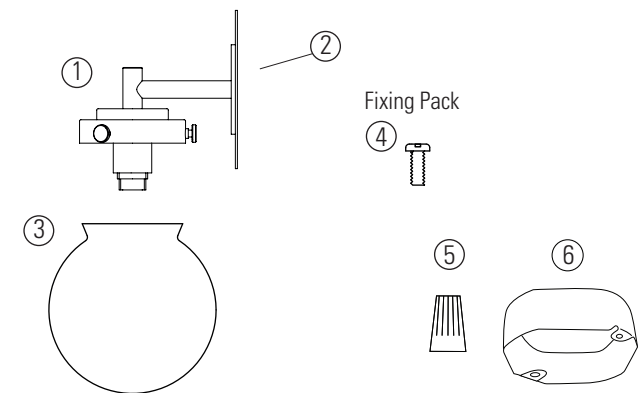
Mini Globe Wall Light

| 120V ac 60Hz | IP44 |

US-FW543 Mini Globe Light

LAMP GUIDANCE			
BASE	SHAPE	TYPE*	WATTAGE**
G9	CAPSULE	HALOGEN LED ✓ LED ✓	20W MAX 10W

* Warm white (2700k) LED lamps recommended.
** Wattage value provided as a guide to suitable lamps. Lower wattage than stated may be used.



Contents

- 1 - Wall arm
- 2 - Backplate
- 3 - Glass shade
- 4 - Junction box screw

Required for Installation

- 5 - UL wire nuts
- 6 - Junction box
- Screwdriver

PLEASE READ THE INSTRUCTIONS ON THE REVERSE BEFORE YOU BEGIN INSTALLING YOUR LIGHT

Installation and Assembly Instructions

Refer to diagrams on opposite page.

Take care when handling. Hand blown glass shade is fragile and may have sharp edges.

STEP 1
Make electrical connection to mains supply in 4" junction box (not supplied), see points 7 to 10 on reverse page.

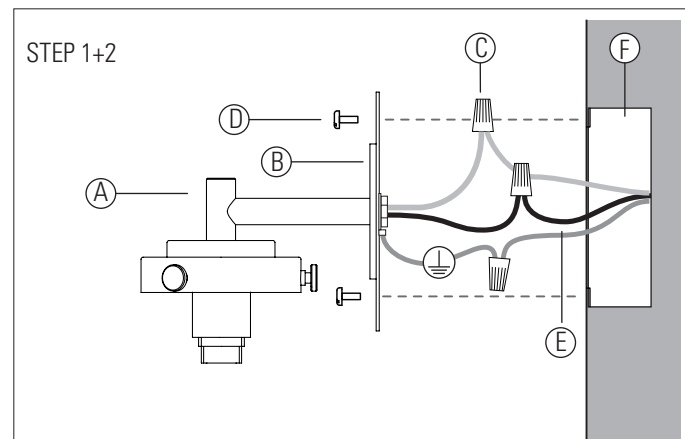
STEP 2
Screw the Wall plate to the wall with the supplied slotted M4 screws. Ensure wall arm is aligned - the position can be adjusted by loosening the nut at the back, if necessary. (Ensure this nut is fully tightened before installing on the wall)

STEP 3
Insert bulb by pushing it firmly into the lampholder

STEP 4
Fix the glass shade by gently tightening the three thumb screws around the edge of the gallery. Do not overtighten these.

If installing in a damp location the backplate must be sealed against the wall using a silicone sealant or similar.

Installation Diagram



Key

- A - Wall arm
- B - Backplate
- C - Wire Nut*
- D - Junction Box Screw
- E - Main Supply*
- F - Junction Box*

*Not Supplied

