

Beadlight®

MAESTRO

Mains Wall Mount Switched

Maestro Range/Technical Data Sheet



Product Description

The Maestro Mains Wall Mount Switched Base light fixes directly to a wall. The light features a flexible stem to allow it to be positioned as required.

Metal finish

The light comes in the following metal finishes:

- Clear Anodised Aluminium
- Anodised Titanium
- Anodised Bronze
- Polished Nickel Plate
- Gold Plate

Leather finish

The light comes in the following leather finishes:

- Chocolate
- Beige
- Black
- Mushroom
- Off White

Dimensions

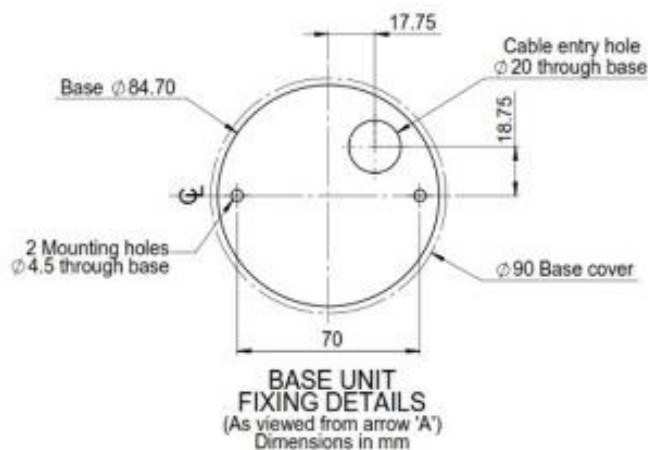
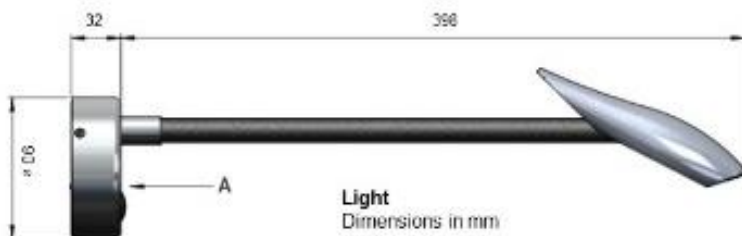
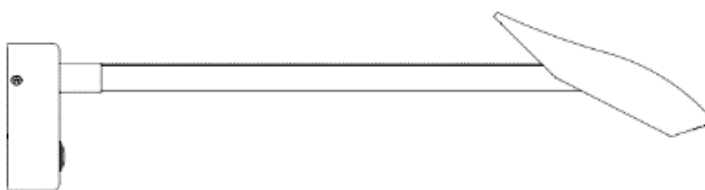
Depth/396mm
Mounting Base Cover Depth/32mm
Base Diameter/79mm

Electrical

The light uses 1.2 Watts of energy. The base plate contains an integral driver allowing direct connection to 240 V AC, the connection is made inside the base plate.

The Maestro light is available in the following LED colours and switching mode.

- Warm White/High, Medium, Off
- Cool White/High, Medium,



Beadlight Ltd

Unit 31B,
Avenue One, Station Lane,
Witney OX28 4XZ

Tel: 01993 868866
Web: www.beadlight.com
Email: contact@beadlight.com