

## Product Description

The Maestro Escutcheon light is a front mounted light which features a flexible stem to allow it to be positioned as required.

## Metal finish

The light comes in the following metal finishes:

- Clear Anodised Aluminium
- Anodised Titanium
- Anodised Bronze
- Polished Nickel Plate
- Gold Plate

## Leather finish

The light comes in the following leather finishes:

- Chocolate
- Beige
- Black
- Mushroom
- Off White

## Dimensions

Depth/15.98"  
Diameter/3.07"  
Cable Length/19.68"

## Electrical

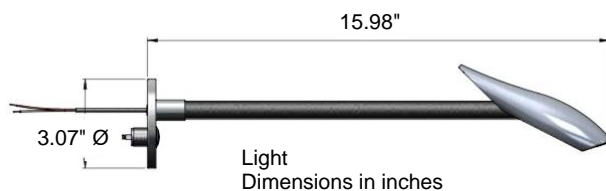
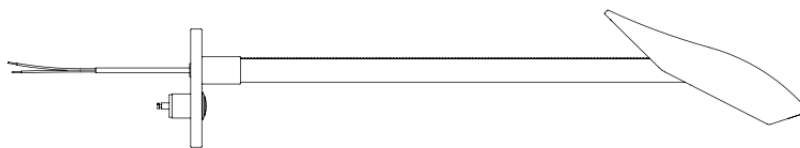
The light uses 1.68 Watts of energy and requires a 12v DC power Supply.

The Maestro light is available in the following switching mode and LED colours.

- Warm White/High, Medium, Off
- Cool White/ High, Medium, Off

## Additional information

The Maestro Escutcheon Mount light requires a driver for installing on a Mains voltage circuit. This driver should be installed remotely in a suitable area behind the fitting.

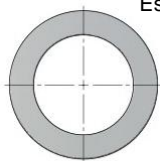


3 csk fixing holes  
Ø 0.18" through

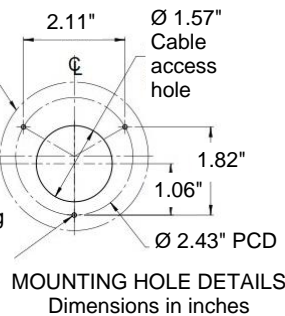


MOUNTING SEAT & ESCUTCHEON COVER  
Dimensions in inches

Escutcheon profile



Qty 3 mounting holes in mounting surface. Equispaced on PCD. Size, depth and fixing type TBD on site.



IP44



RoHS  
Compliant

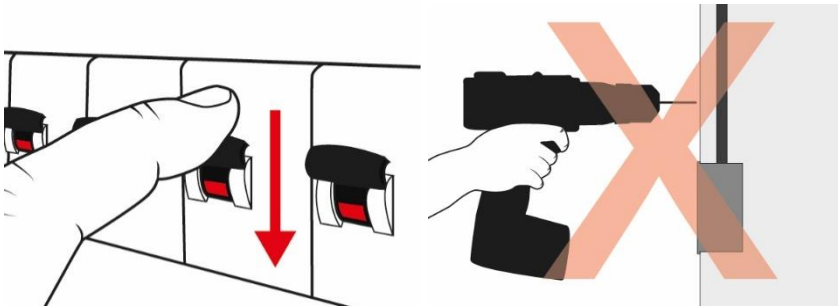


# Beadlight®

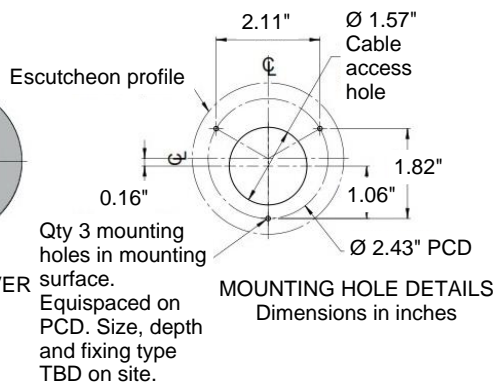
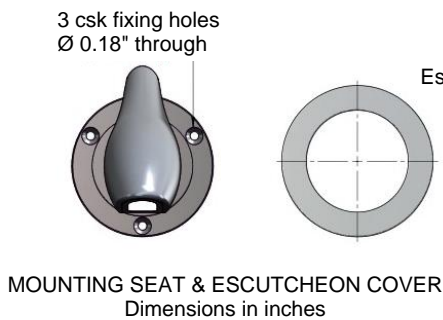
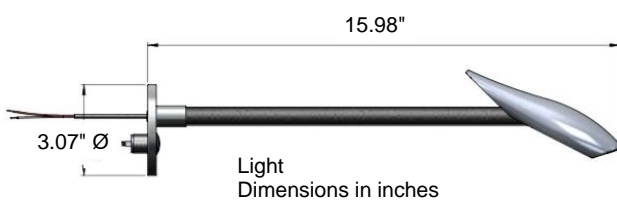
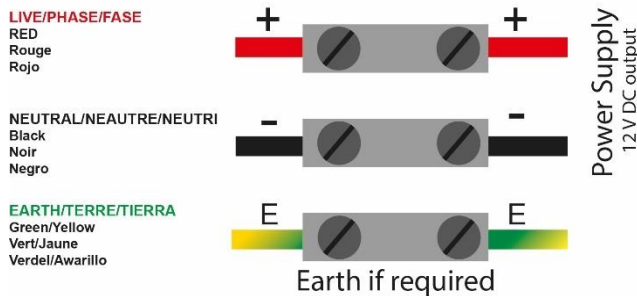
# MAESTRO

Escutcheon Mount

## Maestro Range/Installation Instruction



It is of vital importance that these installation sheets and their associated images are closely studied before undertaking the installation process.



## Installation Preparation

**Note: This light requires a power supply do not connect it directly to mains.**

Installation should only be carried out by a person who is capable and conversant with the current regulations regarding electrical installations in the country the light is being installed.

Please ensure the circuit which the light will be attached is installed and fused correctly according to the countries current regulations.

Ensure that electrical supply is off. Turn the supply off from the distribution board and ensure it can't be inadvertently turned back on.

Identify where the supply cable runs and any other wiring in the wall before deciding on a mounting position for the lamp to ensure no damage occurs to concealed wiring during installation.

## Electrical

Terminal block not included. Installation may require advice from a qualified person.

If a power supply is being used that was not supplied by Beadlight it is important to ensure that the power supply outputs 12 V DC.

It should be a regulated switch mode or linear stabilised power supply rated to at least 300ma. The power supply should be double insulated and should meet the appropriate national approvals (standards) in the country where the product is being installed.

From the lamp the Red wire is +12v DC and the Black wire 0v DC. These wires are to be connected to corresponding output wires from the 12v DC power supply.

This light is not intended for looping in.

**If in doubt you must seek help from a competent electrical engineer.**



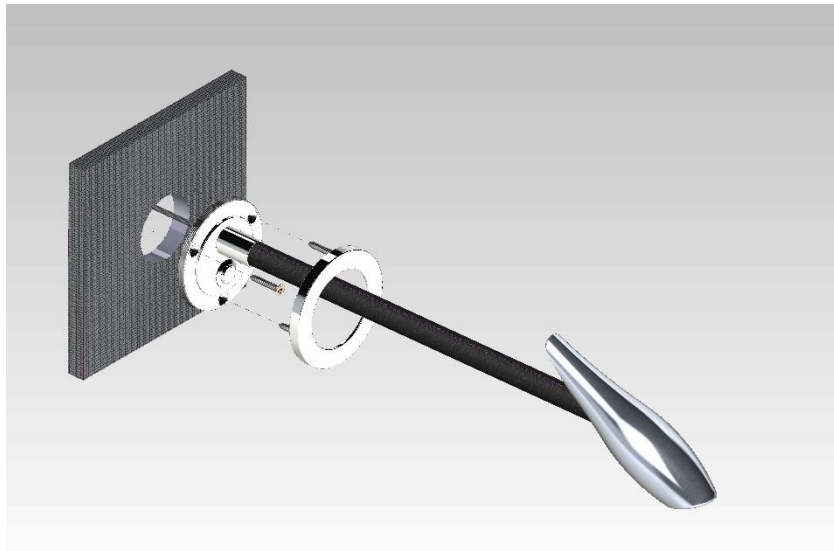
Beadlight Ltd

Unit 31B,  
Avenue One, Station Lane,  
Witney OX28 4XZ

LCCB0185-D38-USTDS-IS1

Tel: 01993 868866  
Web: www.beadlight.com  
Email: contact@beadlight.com

### Maestro Range/Installation Instruction



#### Installation Process

Drill a hole in your panel in the position that you want to mount the lamp.

Thread the cable through the hole and then either screw the lights base to the panel with 3 No 8csk woodscrews or alternatively by using 3 M4csk screws with nuts and washers.

When the light is securely fixed the escutcheon plate can be fitted over the lights head and stem and then screwed down onto the base.

All that remains is to connect the light to a suitable power supply and switch it on using the switch located on the head.

#### Maintenance Information

The product should only be cleaned with a soft dry cloth no cleaning agents should be used.

There is no maintenance required for Beadlight products other than cleaning with a soft cloth, no cleaning agents are to be used. There are no parts that require servicing or maintenance. If there is a problem with a light these need to be returned to Beadlight to be assessed.

#### Warranty

Beadlight Limited will repair or replace a product free of charge if it fails to operate due to manufacturing defects within 5 years of purchase. This guarantee does not include faults or damage caused by misuse, abuse, neglect, incorrect cleaning, accident or failure to follow assembly/installation instructions provided by Beadlight.

Product disassembly or servicing by non-Beadlight staff will void the warranty

#### Other Information

Avoid mounting the unit on damp or newly painted surfaces to avoid discolouration of finish.

If the external cable or cord of this luminaire is damaged, it shall be exclusively replaced by the manufacturer or his or her service agent or a similar qualified person in order to avoid hazard.

The light source of this luminaire is not replaceable; when the light source reaches its end of life the whole luminaire shall be replaced. At the end of the products life it can be returned to Beadlight to be disposed of under the WEEE regulations.