

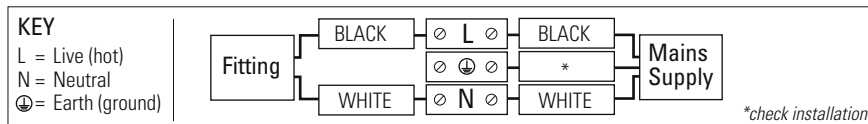
Safety & Installation Instructions

v1.3-04.19

ENG WARNING – RISK OF FIRE AND ELECTRIC SHOCK. THIS PRODUCT IS BEST INSTALLED BY A QUALIFIED ELECTRICIAN.
INSTALL IN ACCORDANCE WITH CURRENT NEC WIRING REGULATIONS.
SUITABLE FOR DRY LOCATIONS ONLY
TURN OFF POWER AT THE MAIN FUSE BEFORE COMMENCING INSTALLATION.

FR ATTENTION – RISQUE D'INCENDIE, RISQUE DE CHOC.
CE PRODUIT DOIT ÊTRE INSTALLÉ SELON LE CODE D'INSTALLATION PERTINENT, PAR UNE PERSONNE QUI CONNAÎT BIEN LE PRODUIT ET SON FONCTIONNEMENT AINSI QUE LES RISQUES INHÉRENTS.
POUR EMBLACEMENTS SECS SEULEMENT
COUPEZ LE FUSIBLE PRINCIPAL AVANT DE COMMENCER L'INSTALLATION.

1. Prepare the fitting for installation- consulting the instructions and diagrams on the inside page. Once desired drop of pendant is established, the cable length may be shortened. If cable is desired length already, then skip to instruction point number 3.
2. To shorten cable:-
 - a. Establish required length of cable (ensuring there is some slack) before using wire cutters to cut.
 - b. Remove the outer insulation from the last 6" of the end of the cable, then remove the last 1/4" of inner sleeving from both cables to expose the wire.
 - c. Make sure that when stripping the outer cable no damage occurs to the interior cable.
3. This fitting should be installed on a 4" junction box (not supplied).
4. Open your existing junction box (if you do not have one in the desired position you will need to get an electrician to install one). If removing an existing fitting first, note all wiring connections: record which of the house wires is connected to the live, neutral and earth (ground) terminals.
5. Attach the fixing plate to your junction box using the two existing bolts.
6. In your junction box there should be two supply wires and one ground wire. Connect your new lamp to the electrical supply using UL approved wire nuts. Connect the live (hot) black wire from the power supply to the black conductor on the luminaire cable, then the white (neutral) wire to the white conductor on the luminaire cable and bare copper or green/yellow ground wire should be terminated inside the junction box (do not connect to fitting).



7. Support the fitting so that no strain is applied to the wiring when making the electrical connections. If necessary get a colleague to help.
8. See hanging instructions inside to complete the installation.
9. Fit the correct type and wattage of lamp (or less). Be careful not to overtighten the lamp.
10. Switch on at the fuse-board. Your light fitting is now ready for use.

Other Important Information

Switch off at mains before changing lamp(s). Never fit a lamp of greater wattage than recommended. Ensure children do not play with the light fitting. Dispose of old lamps carefully. Never leave a fitting without a lamp in position (or someone can accidentally touch the contacts). Adjust fitting only when power to the fitting is off and has been left to cool. If the electrical flex or electrical components become damaged at any point, power to the fitting should be disconnected immediately and not operated until the damaged parts are fixed/replaced. For use in dry, indoor environment only. Ensure the fitting does not come into contact with any liquids.

Cleaning and Maintenance

Bone china can be cleaned using a soft damp cloth or with a suitable mild (non-abrasive) detergent. Switch off power to the fitting before cleaning.

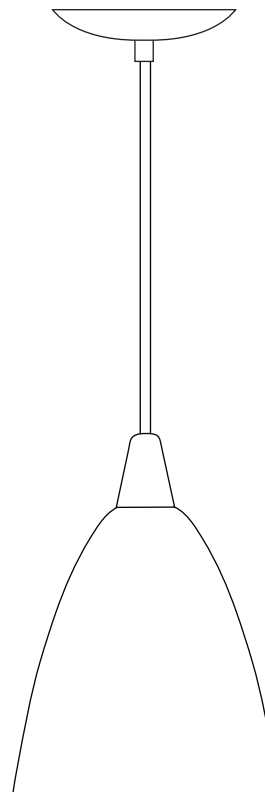
Established in 1990, Original BTC manufactures relaxed, familiar lighting for traditional and contemporary homes. All products are hand-assembled in Oxford from high quality components, produced in the UK.

ORIGINALBTC.COM
+44 (0)1993 882 251
UNIT 21 / 22 AVENUE ONE, STATION LANE, WITNEY, OX28 4XZ, ENGLAND



Hector & Circle Line Pendant Light

Instruction Manual



Size 1
US-FP193



Size 2
US-FP132



Size 3
US-FP370



Size 4
US-FP371



Circle Line
US-FP132CL








ORIGINAL BTC
BRITISH LIGHTING MANUFACTURERS
LONDON - NEW YORK - PARIS



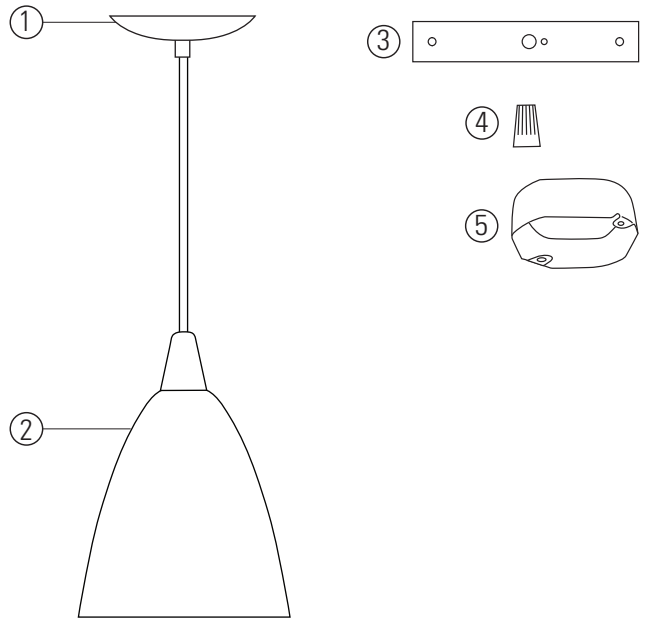
Hector & Circle Line Pendant Light | 120V ac 60Hz | IP20

US-FP193 Size 1 US-FP370 Size 3 US-FP132CL Circle Line Pendant Light
 US-FP132 Size 2 US-FP371 Size 4

LAMP GUIDANCE Hector Pendants					
BASE	SHAPE	TYPE*	WATTAGE**		
			FP132	FP370 / FP371	
 E26	 A  BALL	INCANDESCENT ✓	60W MAX	100W MAX	
		CFL ✓	15W	20W	
		ECO-HALOGEN ✗	n/a	70W	
		LED ✓	10W	18W	
 E26	 BALL	INCANDESCENT ✓	FP193	40W MAX	
		CFL ✓		11W	
		ECO-HALOGEN ✗		n/a	
		LED ✓		7W	

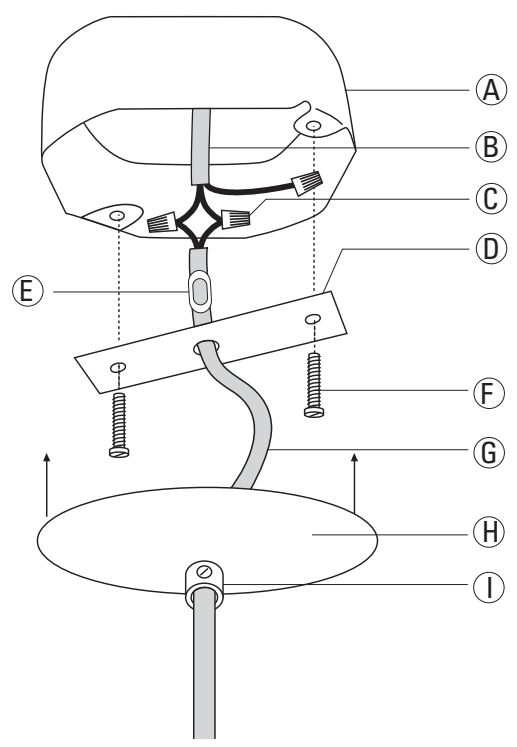
* Warm white (2700k) low energy lamps recommended.
 ** Wattage value provided as a guide to suitable lamps. Lower wattage than stated may be used.

Contents



- Contents**
- 1 Ceiling Rose
 - 2 Shade
 - 3 Bracket
-
- Tools/Hardware Required**
- Screwdriver
 - Wire Nuts (4)
 - Junction Box (5)

Installation Diagram



- Key**
- A Junction Box*
 - B Main Supply
 - C Wire Nuts*
 - D Mounting Bracket
 - E Cord Restraint
 - F Junction Box Screws*
 - G Luminaire Cable
 - H Ceiling Rose
 - I Cord Grip
 - *not supplied

Hanging Instructions

This product is made from Fine Bone China; take care when handling this product during installation.

- Refer to diagram above.
- STEP 1**
 Determine the required drop of the fitting and adjust luminaire cable (G) length as necessary - see point 2 overleaf.
- STEP 2**
 Screw the mounting bracket (D) to the junction box using existing screws.
- STEP 3**
 Make connection to the mains supply (follow instructions overleaf), using suitable wire nuts.
- STEP 4**
 Push the ceiling rose (H) until it is flush with the ceiling. Tighten the grub screw on the cord grip (I), taking care not to overtighten as this can damage the luminaire.

PLEASE READ THE INSTRUCTIONS ON THE REVERSE BEFORE YOU BEGIN INSTALLING YOUR LIGHT