

ENG WARNING – RISK OF FIRE AND ELECTRIC SHOCK.
SUITABLE FOR DRY LOCATIONS ONLY
FR ATTENTION – RISQUE D'INCENDIE, RISQUE DE CHOC.
POUR EMPLACEMENTS SECS SEULEMENT

Safety Instructions

These instructions are provided for your safety in order to prevent the risk of Fire, Electric shock or Injury. Please retain for future reference. When fitting is in operation, some parts will become hot; take care when using/handling.

- Ensure the lamp type and max wattage is followed- do not exceed. Take care not to overtighten lamp.
- Do not touch the lamp (bulb) or lamp holder while in operation, as both become very hot.
- Turn off and unplug fitting, leaving lamp to cool before changing lamp. Dispose of old lamps carefully.- Adjust light fitting only when power to the fitting is off and has been left to cool.
- Never leave a fitting without a lamp in position.
- Keep light fitting away from combustible materials such as soft furnishings.
- Ensure children do not play with the light fitting.
- Ensure the light is positioned on a solid, level and non-slip surface and make sure the position of the cable does not pose a trip hazard.
- If the electrical flex or electrical components become damaged at any point, the fitting must be unplugged from the power supply immediately and not operated until the damaged parts are fixed/replaced.
- For use in a dry, indoor environment only. Ensure the fitting does not come into contact with any liquids.

Cleaning and Maintenance

Metal finishes should only be cleaned with a soft, dry cloth. Do not use polishes or abrasives. Bone china can be cleaned by hand, using a soft damp cloth with a diluted mild detergent (nonabrasive) if necessary. Switch off power to the fitting before cleaning.



Hatton 5 Uplighter,
Black Braided Cable
US-FF568

Hatton 3 Floor Light,
Black Braided Cable
US-FF562

Hatton 4 Floor Light,
Black Braided Cable
US-FF567

Hatton 4 Table Light,
Black Braided Cable
US-FT566

Established in 1990, Original BTC manufactures relaxed, familiar lighting for traditional and contemporary homes. All products are hand-assembled in Oxford from high quality components, produced in the UK.

ORIGINALBTC.COM
+44 (0)1993 882 251
UNIT 21 / 22 AVENUE ONE, STATION LANE, WITNEY, OX28 4XZ, ENGLAND



ORIGINAL BTC
BRITISH LIGHTING MANUFACTURERS
LONDON • NEW YORK • PARIS





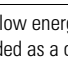



Hatton 3,4,5 Table & Floor Lights

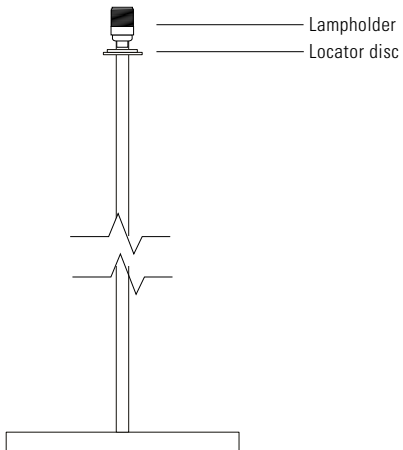
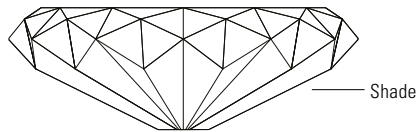
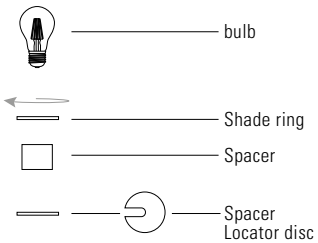
| 120V ac 60Hz | IP20 |

US-FF568 Hatton 5 Floor Light US-FF562 Hatton 3 Floor Light (delivered assembled)
 US-FF567 Hatton 4 Floor Light US-FF566 Hatton 4 Table Light

A unique style Light with a beautiful multi faceted bone china shade. The Hatton's chrome base and black cotton braided cable provide a contemporary and authentic edge.

LAMP GUIDANCE			
BASE	SHAPE	TYPE*	WATTAGE**
 E26	 A	 INCANDESCENT ✓	40W MAX
		 CFL ✓	11W
		 ECO-HALOGEN ✓	28W
		 LED ✓	7W

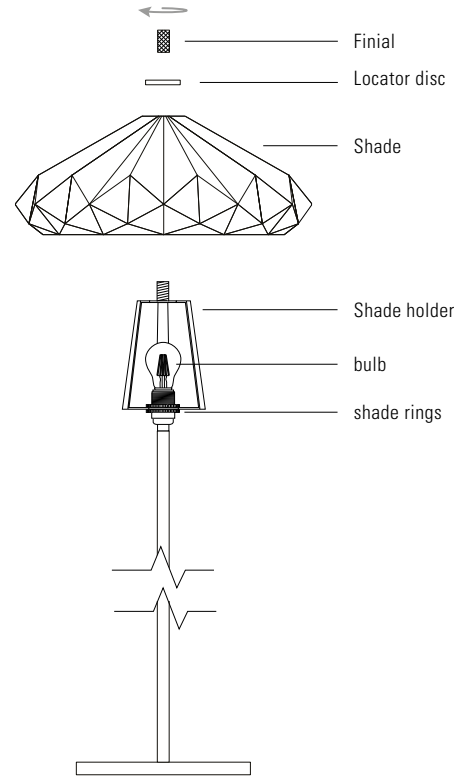
* Warm white (2700k) low energy lamps recommended.
 ** Wattage value provided as a guide to suitable lamps. Lower wattage than stated may be used.



Hatton 5 Uplighter

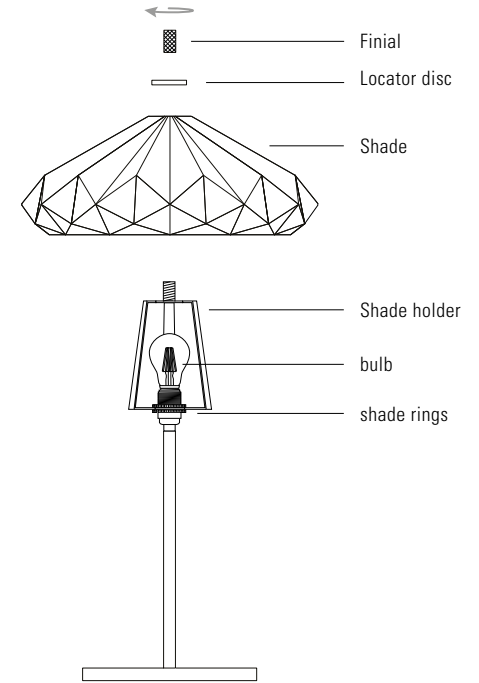
- Carefully place the shade over the lampholder so it rests on the locator disc
- Place the spacer locator disc around the base of the lampholder so it sits centrally at the base of the shade.
- Place the spacer over the top of the lampholder, so it is aligned with the spacer locator disc and secure by screwing on the shade ring to the lampholder.
- Do not overtighten.
- Insert the bulb

Lamp Assembly



Hatton 4 Floor Light

- Insert the bulb into the lampholder. If using a tall bulb, the shade holder can be moved upwards if necessary by rotating the shade rings.
- Unscrew the knurled finial and locator disc from the top of the shade holder
- Locate the shade over the threaded top of the shade holder
- Position the locator disc on top of the shade and gently screw down the finial onto the shade holder



Hatton 4 Table Light

- Insert the bulb into the lampholder. If using a tall bulb, the shade holder can be moved upwards if necessary by rotating the shade rings.
- Unscrew the knurled finial and locator disc from the top of the shade holder
- Locate the shade over the threaded top of the shade holder
- Position the locator disc on top of the shade and gently screw down the finial onto the shade holder