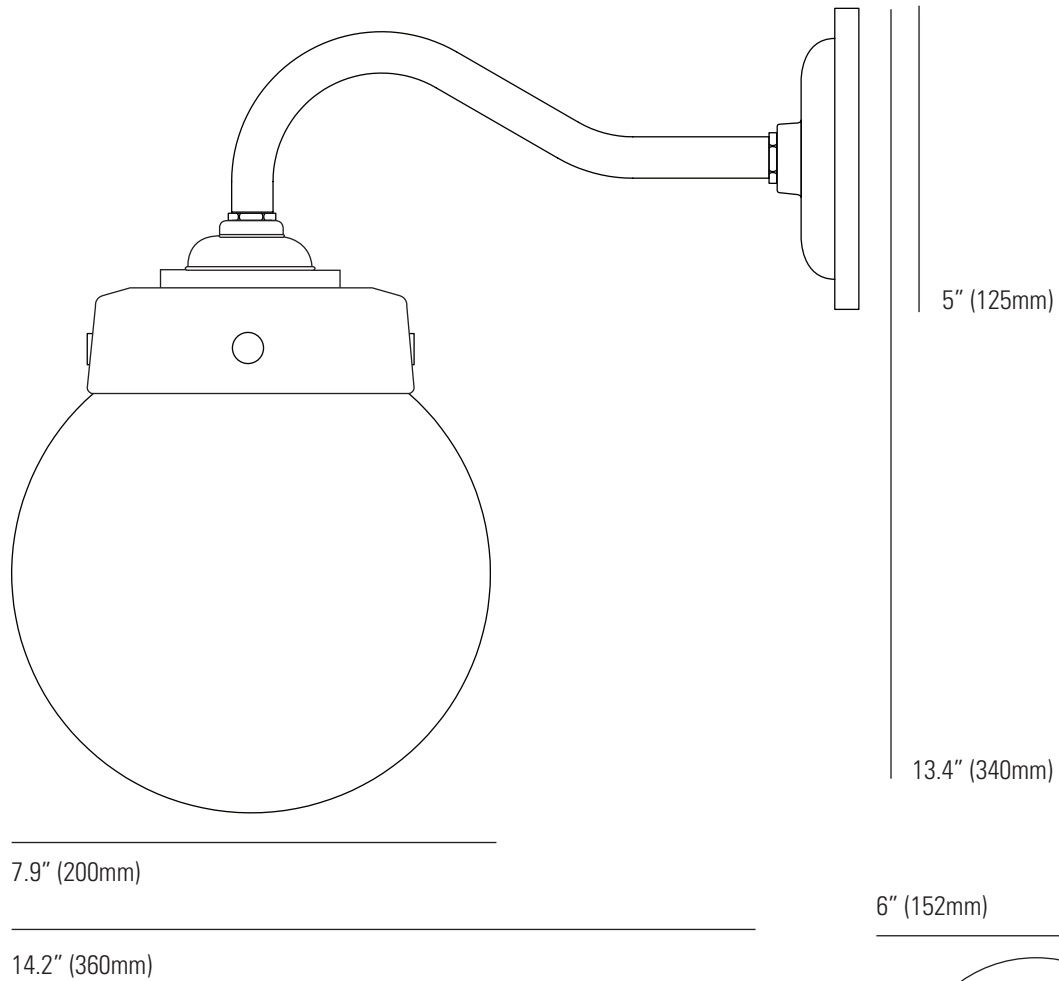


# 8300/S/BRKT Hampton Wall Light



## Specifications

PRODUCT CODE:	US-DP8300/S/BRKT
BULB CAP:	E26
MAX WATTAGE:	60W
VOLTAGE:	120V (AC)
BULB TYPE:	A

IP RATING:	IP44
MATERIAL(S):	WEATHERED BRASS, GLASS
AVAILABLE FINISH:	OPAL GLASS

