

# Safety & Installation Instructions

v1.2-11.18

ENG WARNING – RISK OF FIRE AND ELECTRIC SHOCK. THIS PRODUCT IS BEST INSTALLED BY A QUALIFIED ELECTRICIAN. INSTALL IN ACCORDANCE WITH CURRENT NEC WIRING REGULATIONS.

SUITABLE FOR DRY LOCATIONS ONLY

THE FITTING MUST BE GROUNDED. TURN OFF POWER AT THE MAIN FUSE BEFORE COMMENCING INSTALLATION.

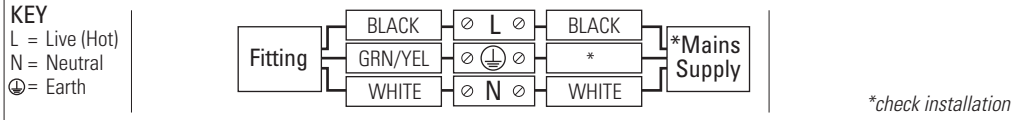
FR ATTENTION – RISQUE D'INCENDIE, RISQUE DE CHOC.

CE PRODUIT DOIT ÊTRE INSTALLÉ SELON LE CODE D'INSTALLATION PERTINENT, PAR UNE PERSONNE QUI CONNAÎT BIEN LE PRODUIT ET SON FONCTIONNEMENT AINSI QUE LES RISQUES INHÉRENTS.

POUR EMPLACEMENTS SECS SEULEMENT

L'APPAREIL DOIT ÊTRE MIS À LA TERRE. COUPEZ LE FUSIBLE PRINCIPAL AVANT DE COMMENCER L'INSTALLATION.

- 1 Ensure that the electrical supply is OFF. Disconnect the electrical supply at the fuse-board.
- 2 If removing an existing fitting first, note all wiring connections: record which of the house wires is connected to the live (hot), neutral and earth (ground) terminals.
- 3 Carefully identify where the supply cable is (and check there are no other cables in the area) to avoid damage to concealed wiring during installation.
- 4 Position the light where desired ensuring that there is access to a suitable junction box for the fixture and suitable support adjacent to where you will connect to the house supply and mark position of fixing holes, before drilling appropriate holes as below.
  - a. Brick or masonry: Drill holes into which the wall plugs tightly fit, then insert wall plugs.
  - b. Wood: No hole necessary (unless small pilot hole required), screws can be screwed directly into the timber.
  - c. Plaster/Cavity: Special cavity wall fittings are required, rather than provided fixings.
- 5 Open your existing junction box (if you do not have one in the desired position you will need to get an electrician to install one). In your junction box there should be two supply wires and one ground wire. Connect your new lamp to the electrical supply using UL approved wire nuts. Connect the live (hot) black wire from the power supply to the black conductor on the luminaire cable, then the white (neutral) wire to the white conductor on the luminaire cable and bare copper or green/yellow ground wire to the ground terminal or green/yellow wire connected to the fitting.



- 6 Support the fitting so that no strain is applied to the wiring when making the electrical connections.
- 7 Double check all the connections are secure, no wires are trapped behind or within the fitting and complete the installation, screwing the fitting to the wall, over your junction box.
- 8 Fit the correct type and wattage of bulb, referring to guidance inside. Do not overtighten bulb.
- 9 Switch on at the fuse-board. Your light fitting is now ready for use.

## Other Important Information

Switch off at mains before changing lamp(s). Never fit a lamp of greater wattage than recommended. Ensure children do not play with the light fitting. Dispose of old lamps carefully. Never leave a fitting without a lamp in position (or someone can accidentally touch the contacts). If the electrical flex or electrical components become damaged at any point, power to the fitting should be disconnected immediately and not operated until the damaged parts are fixed/replaced.

## Cleaning and Maintenance

Metal finishes should only be cleaned with a soft, dry cloth. Do not use polishes or abrasives. Switch off power to the fitting before cleaning.

Established in 1990, Original BTC manufactures relaxed, familiar lighting for traditional and contemporary homes.

All products are hand-assembled in Oxford from high quality components, produced in the UK.

ORIGINALBTC.COM

+44 (0)1993 882 251

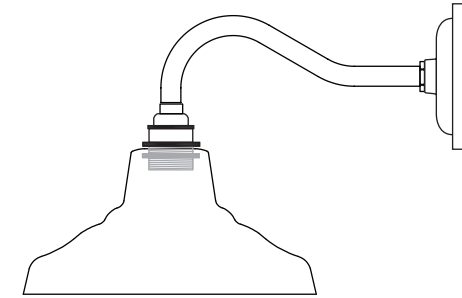
UNIT 21 / 22 AVENUE ONE, STATION LANE, WITNEY, OX28 4XZ, ENGLAND



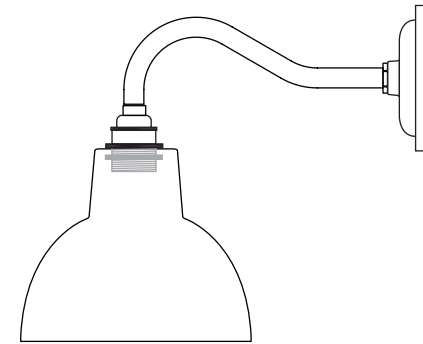
# Glass Wall Light

US-DP8165/BRKT, US-DP8200/S/BRKT

## Instruction Manual



US-DP8200/S/BRKT



US-DP8165/BRKT




**ORIGINAL BTC**  
BRITISH LIGHTING MANUFACTURERS  
LONDON - PARIS



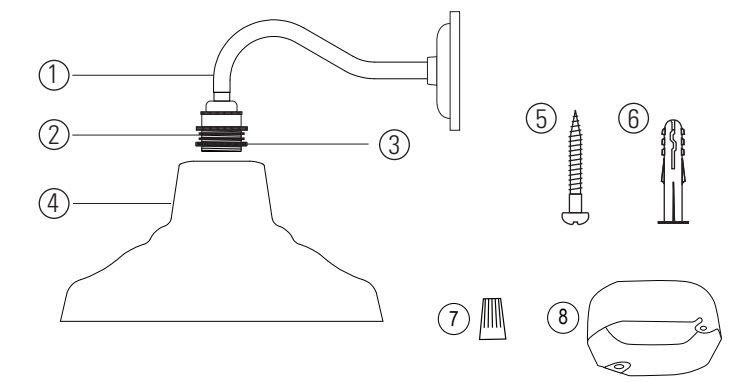
# Glass Wall Light 8165/BRKT, 8200/S/BRKT | 120V ac 60Hz | IP20

US-DP8165/BRKT  
US-DP8200/BRKT

Glass York Wall Light, Size 1  
Glass School Wall Light, Size 1

LAMP GUIDANCE			
BASE	SHAPE	TYPE*	WATTAGE**
 E26	 A	 BALL	INCANDESCENT ✓
			CFL ✓
			ECO-HALOGEN ✗
			LED ✓
			60W MAX
			13W
			n/a
			10W

\* Warm white (2700k) low energy lamps recommended.  
\*\* Wattage value provided as a guide to suitable lamps. Lower wattage than stated may be used.



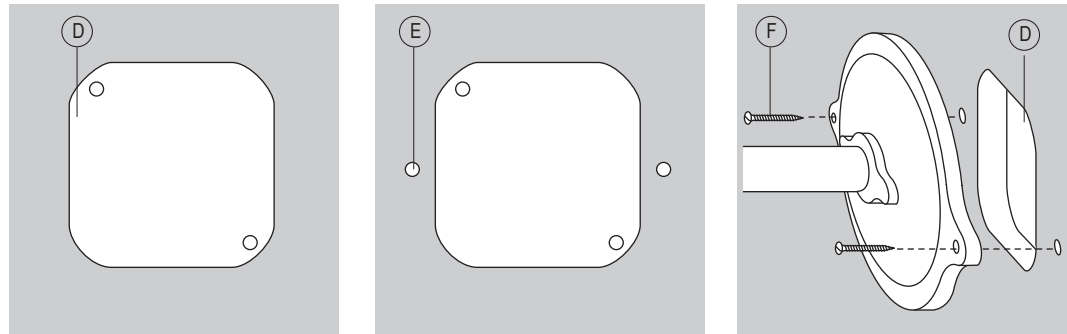
- Contents**
- 1 - Base plate/stem/lampholder
  - 2 - Gaskets (x2)
  - 3 - Shade ring
  - 4 - Shade
  - 5 - 2 x fixing screws
  - 6 - 2 x rawl plugs
- Required for Installation**
- Screwdriver, flat-head
  - Small screwdriver, flat-head
  - Drill (if holes are required)
  - Wire Nuts (7)
  - Junction Box (8)

PLEASE READ THE INSTRUCTIONS ON THE REVERSE BEFORE YOU BEGIN INSTALLING YOUR LIGHT

This product is made from hand blown glass; take care when handling this product during installation. Excessive force can cause damages or breakages.

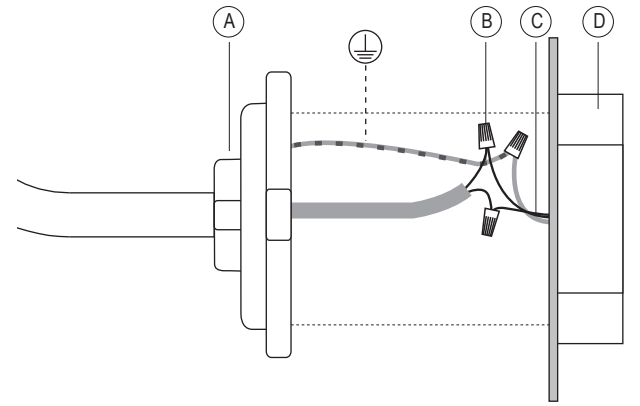
## Installation Diagram

### STEP 1



### STEP 2

- Key**
- A - Bracket Light
  - B - Wire nuts
  - C - Main supply
  - D - Junction box\*
  - E- Rawl plugs (if necessary)
  - F - Fixing screws



## Installation and Assembly Instructions

### STEP 1

Mark fixing holes for fixing screws- following point 4 & 5 overleaf.

### STEP 2

Make electrical installation, following points 6-8 overleaf, then fix backplate to wall.

### STEP 3

Fit the shade to the lampholder.

- Remove one shade ring and gasket from the lampholder, then offer up the glass shade to the lamp holder. There should be one rubber gasket either side of the shade.
- Start the process by screwing on the shade ring, turning by hand as far as possible. The whole glass shade can then be gently rotated to help screw the shade ring the rest of the way- using friction between the shade and the gasket/shade ring to complete the process.