

# Safety & Installation Instructions

v1.3-06.19

ENG WARNING – RISK OF FIRE AND ELECTRIC SHOCK. THIS PRODUCT IS BEST INSTALLED BY A QUALIFIED ELECTRICIAN. INSTALL IN ACCORDANCE WITH CURRENT NEC WIRING REGULATIONS.

SUITABLE FOR DAMP LOCATIONS

THE FITTING MUST BE GROUNDED. TURN OFF POWER AT THE MAIN FUSE BEFORE COMMENCING INSTALLATION.

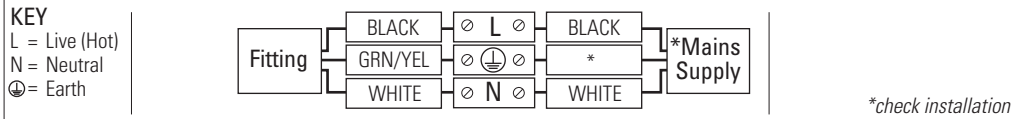
FR ATTENTION – RISQUE D'INCENDIE, RISQUE DE CHOC.

CE PRODUIT DOIT ÊTRE INSTALLÉ SELON LE CODE D'INSTALLATION PERTINENT, PAR UNE PERSONNE QUI CONNAÎT BIEN LE PRODUIT ET SON FONCTIONNEMENT AINSI QUE LES RISQUES INHÉRENTS.

CONVIENT AUX EMPLACEMENTS HUMIDES

L'APPAREIL DOIT ÊTRE MIS À LA TERRE. COUPEZ LE FUSIBLE PRINCIPAL AVANT DE COMMENCER L'INSTALLATION.

- 1 Ensure that the electrical supply is OFF. Disconnect the electrical supply at the fuse-board.
- 2 If removing an existing fitting first, note all wiring connections: record which of the house wires is connected to the live (hot), neutral and earth (ground) terminals.
- 3 Carefully identify where the supply cable is (and check there are no other cables in the area) to avoid damage to concealed wiring during installation.
- 4 Position the light where desired ensuring that there is access to a suitable junction box for the fixture and suitable support adjacent to where you will connect to the house supply and mark position of fixing holes, before drilling appropriate holes as below.
  - a. Brick or masonry: Drill holes into which the wall plugs tightly fit, then insert wall plugs.
  - b. Wood: No hole necessary (unless small pilot hole required), screws can be screwed directly into the timber.
  - c. Plaster/Cavity: Special cavity wall fittings are required, rather than provided fixings.
- 5 Open your existing junction box (if you do not have one in the desired position you will need to get an electrician to install one). In your junction box there should be two supply wires and one ground wire. Connect your new lamp to the electrical supply using UL approved wire nuts. Connect the live (hot) black wire from the power supply to the black conductor on the luminaire cable, then the white (neutral) wire to the white conductor on the luminaire cable and bare copper or green/yellow ground wire to the ground terminal or green/yellow wire connected to the fitting.



- 6 Support the fitting so that no strain is applied to the wiring when making the electrical connections.
- 7 Double check all the connections are secure, no wires are trapped behind or within the fitting and complete the installation, screwing the fitting to the wall, over your junction box.
- 8 Fit the correct type and wattage of bulb, referring to guidance inside. Do not overtighten bulb.
- 9 Switch on at the fuse-board. Your light fitting is now ready for use.

## Other Important Information

Switch off at mains before changing lamp(s). Never fit a lamp of greater wattage than recommended. Ensure children do not play with the light fitting. Dispose of old lamps carefully. Never leave a fitting without a lamp in position (or someone can accidentally touch the contacts). If the electrical flex or electrical components become damaged at any point, power to the fitting should be disconnected immediately and not operated until the damaged parts are fixed/replaced.

## Cleaning and Maintenance

Metal finishes should only be cleaned with a soft, dry cloth. Do not use polishes or abrasives. Glass can be cleaned by hand, using a soft damp cloth with a diluted mild detergent (nonabrasive) or suitable glass cleaner if necessary. Switch off power to the fitting before cleaning.

Established in 1990, Original BTC manufactures relaxed, familiar lighting for traditional and contemporary homes.

All products are hand-assembled in Oxford from high quality components, produced in the UK.

ORIGINALBTC.COM

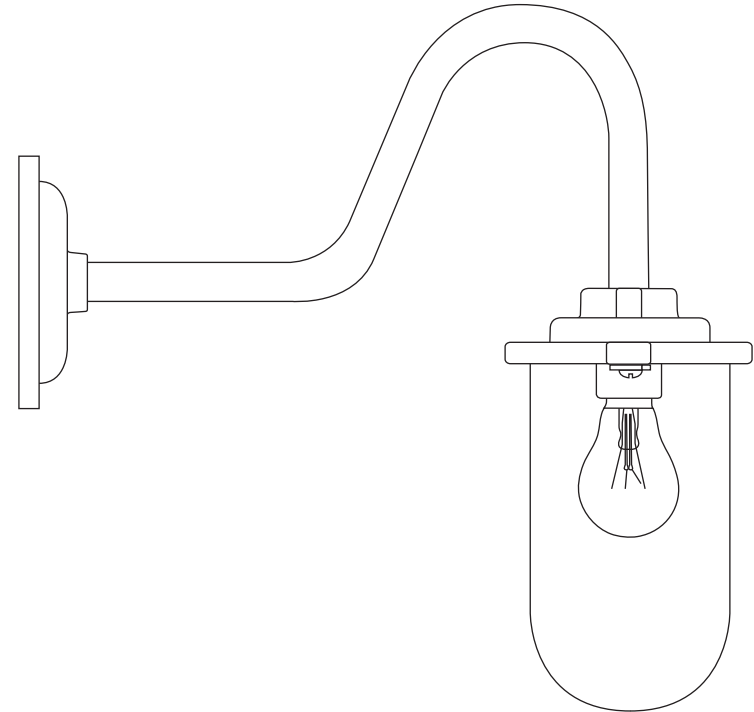
+44 (0)1993 882 251

UNIT 21 / 22 AVENUE ONE, STATION LANE, WITNEY, OX28 4XZ, ENGLAND

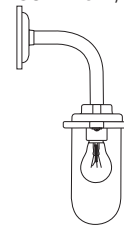


# Bracket Light 7672/60-7672/100-7677/60-7677/100

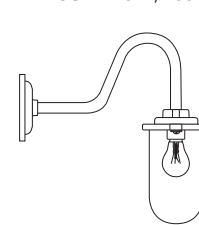
## Instruction Manual



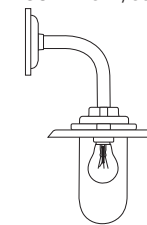
Bracket Light  
US-DP7672/60



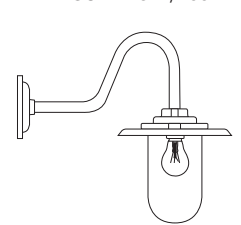
Bracket Light  
US-DP7672/100



Bracket Light  
US-DP7677/60



Bracket Light  
US-DP7677/100



**ORIGINAL BTC**  
BRITISH LIGHTING MANUFACTURERS  
LONDON - PARIS



# Bracket Light

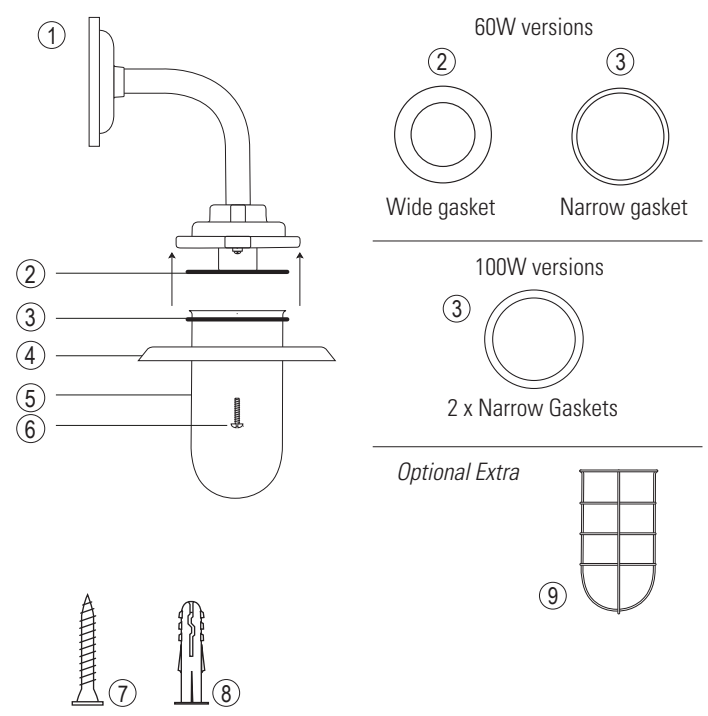
| 120V ac 60Hz | IP54 |

US-DP7672/60 Bracket Light    US-DP7677/60 Bracket Light  
 US-DP7672/100 Bracket Light    US-DP7677/100 Bracket Light

LAMP GUIDANCE			
BASE	SHAPE	TYPE*	WATTAGE**
E26	A <del>BALL</del>	INCANDESCENT ✓	60W MAX (a)
		CFL ✓	15W
		ECO-HALOGEN ✓	28W
		LED ✓	12W
			100W MAX (b)
			20W
			70W
			18W

\* Warm white (2700k) low energy lamps recommended.  
 \*\* Wattage value provided as a guide to suitable lamps. Lower wattage than stated may be used.

(a) US-DP7672/60 and US-DP7677/60  
 (b) US-DP7672/100 and US-DP7677/100

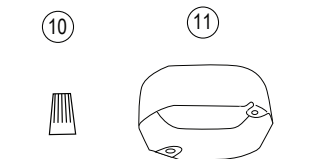


### Contents

- 1 - Backplate/Arm/Pan assembly
- 2 - Wide Gasket
- 3 - Narrow Gasket
- 4 - Reflector (7677) / Clips (7672)
- 5 - Well Glass
- 6 - 2 x Reflector screws
- 7 - 2 x Fixing screws
- 8 - 2 x Rawl plugs
- 9 - *Optional Galvanised wire guard*

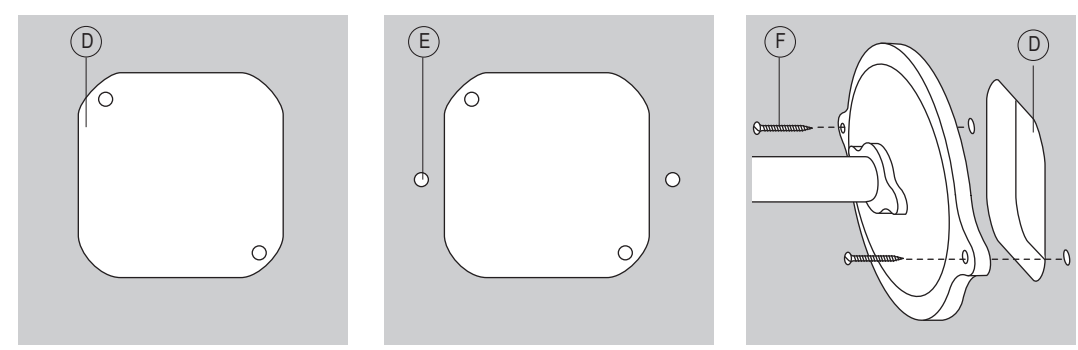
### Required for Installation

- Screwdriver, flat-head
- Small screwdriver, flat-head
- Drill (if holes are required)
- Wire nuts (10)
- Junction box (11)

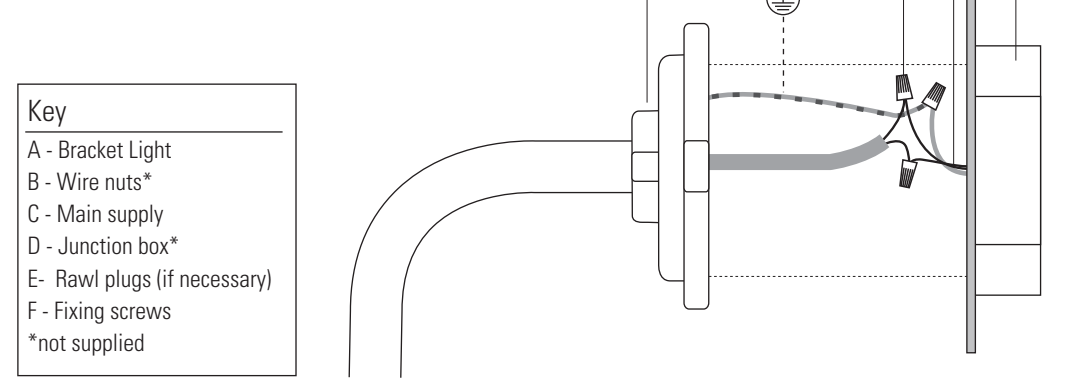


## Installation Diagram

### STEP 1



### STEP 2



**Key**

- A - Bracket Light
- B - Wire nuts\*
- C - Main supply
- D - Junction box\*
- E - Rawl plugs (if necessary)
- F - Fixing screws
- \*not supplied

## Installation and Assembly Instructions

### STEP 1

Mark fixing holes for fixing screws- following point 4 overleaf.

### STEP 2

Make electrical installation, following point 5 overleaf, then fix backplate to wall.

### STEP 3

Assemble the rest of the light, following the diagram on the opposite page.

- Ensure wide (60W) gasket/narrow gasket (100W) fits into the top of the pan (next to lampholder)
- Ensure the narrow gasket is positioned under the lip of the glass (and above reflector).
- Having inserted a light bulb, position the glass in the pan and then secure in place by attaching the reflector (7677) or clips (7672) using the two pan screws. **DO NOT OVER TIGHTEN SCREWS.**
- The optional guard fits to the bottom of the reflector and is secured using the same pan screws that secure the reflector (7677), clips (7672) to the pan. **DO NOT OVER TIGHTEN SCREWS.**

*If light is to be installed in an exterior location, a suitable silicone sealant must be applied between the back plate and the mounting surface to prevent water ingress into the fitting.*

PLEASE READ THE INSTRUCTIONS ON THE REVERSE BEFORE YOU BEGIN INSTALLING YOUR LIGHT