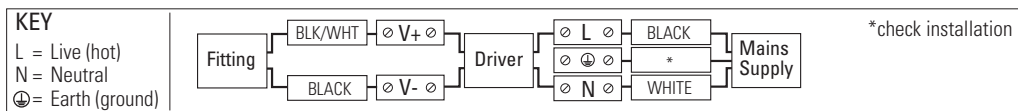


ENG WARNING – RISK OF FIRE AND ELECTRIC SHOCK. THIS PRODUCT IS BEST INSTALLED BY A QUALIFIED ELECTRICIAN. INSTALL IN ACCORDANCE WITH CURRENT NEC WIRING REGULATIONS. SUITABLE FOR DRY LOCATIONS ONLY. TURN OFF POWER AT THE MAIN FUSE BEFORE COMMENCING INSTALLATION.

FR ATTENTION – RISQUE D'INCENDIE, RISQUE DE CHOC. CE PRODUIT DOIT ÊTRE INSTALLÉ SELON LE CODE D'INSTALLATION PERTINENT, PAR UNE PERSONNE QUI CONNAÎT BIEN LE PRODUIT ET SON FONCTIONNEMENT AINSI QUE LES RISQUES INHÉRENTS. POUR EMPLACEMENTS SECS SEULEMENT. COUPEZ LE FUSIBLE PRINCIPAL AVANT DE COMMENCER L'INSTALLATION.

- 1 If you are in any doubt consult a qualified electrician as to the installation of the fitting. Install in accordance with current NEC wiring regulations. It is recommended that this fitting is installed by a qualified electrician.
- 2 Ensure that the electrical supply is OFF. Disconnect the electrical supply at the fuse-board.
- 3 If removing an existing fitting first, note all wiring connections: record which of the house wires is connected to the live (hot), neutral and earth (ground) terminals.
- 4 Carefully identify where the supply cable is (and check there are no other cables in the area) to avoid damage to concealed wiring during installation.
- 5 Position the light where desired ensuring that there is access to a suitable junction box for the fixture. The fitting can be mounted to a single gang mud ring type electrical box (not supplied). Using your existing junction box, use a screwdriver to open the junction box. Keep the two existing screws.
- 6 Support the fitting so that no strain is applied to the wiring when making the electrical connections. If necessary get a colleague to help.
- 7 Electrical connection: The fitting must be connected to a remote Class 2 constant voltage LED driver when installing on a mains voltage (120V) circuit. Make the connections through the driver. This is a Class 3 (low voltage) fitting which does not require grounding. Terminate the ground wire from your supply inside the junction box. Make the connections as shown in the diagram below:



- 8 Double check all the connections are secure, no wires are trapped behind or within the fitting and complete the installation, screwing the fitting to the wall, over your junction box.
- 9 Switch on at the fuse-board. Your light fitting is now ready for use.

Other Important Information

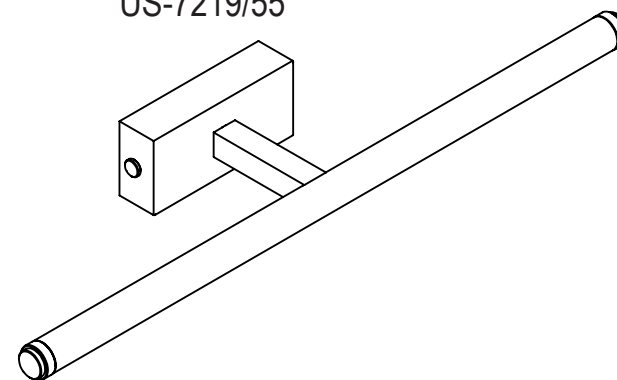
If the electrical flex or electrical components become damaged at any point, power to the fitting should be disconnected immediately and not operated until the damaged parts are fixed/replaced. For use in dry, indoor environment only. Ensure the fitting does not come into contact with any liquids.

Cleaning and Maintenance

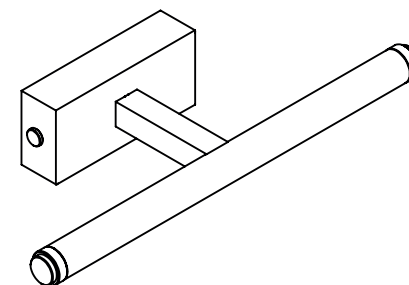
Metal finishes should only be cleaned with a soft, dry cloth. Do not use polishes or abrasives. Switch off power to the fitting before cleaning.

Instruction Manual

US-7219/55



US-7219/35



Established in 1990, Original BTC manufactures relaxed, familiar lighting for traditional and contemporary homes. All products are hand-assembled in Oxford from high quality components, produced in the UK.

ORIGINALBTC.COM
+44 (0)1993 882 251
UNIT 21 / 22 AVENUE ONE, STATION LANE, WITNEY, OX28 4XZ, ENGLAND



ORIGINAL BTC
BRITISH LIGHTING MANUFACTURERS
LONDON - PARIS



Cooper Picture Light US-7219

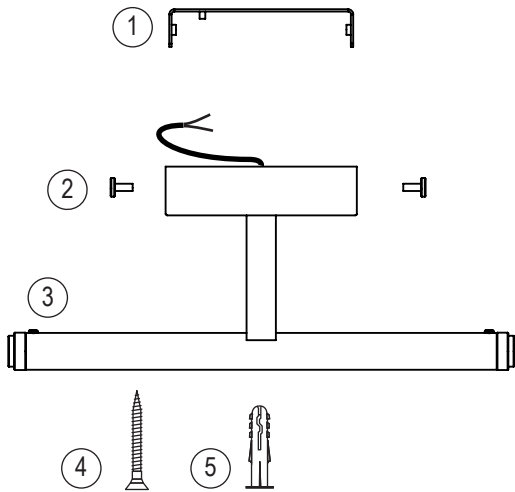
| 12V DC | IP20

With roots dating back to the shipyards of nineteenth century London, Davey Lighting combines industrial design, traditional craftsmanship and the finest raw materials. Authentic and unique, lights are manufactured in England with the same attention to detail required for their original industrial purpose. Simplicity of design and choice of finish, including weathered brass and copper, polished aluminium and galvanised cast iron, make Davey lights equally suited to traditional or contemporary schemes.

LAMP GUIDANCE		
MODEL	TYPE	WATTAGE
7219/35	LED	3.5W
7219/55	LED	7W

The light source contained in this luminaire shall only be replaced by the manufacturer or his service agent or a similar qualified person.

Contents



Contents

- 1 - Backplate
- 2 - 2 x Gallery screws
- 3 - Main body
- 4 - 4 x Fixing Screws
- 5 - 4 x Rawl Plugs

Required for Installation

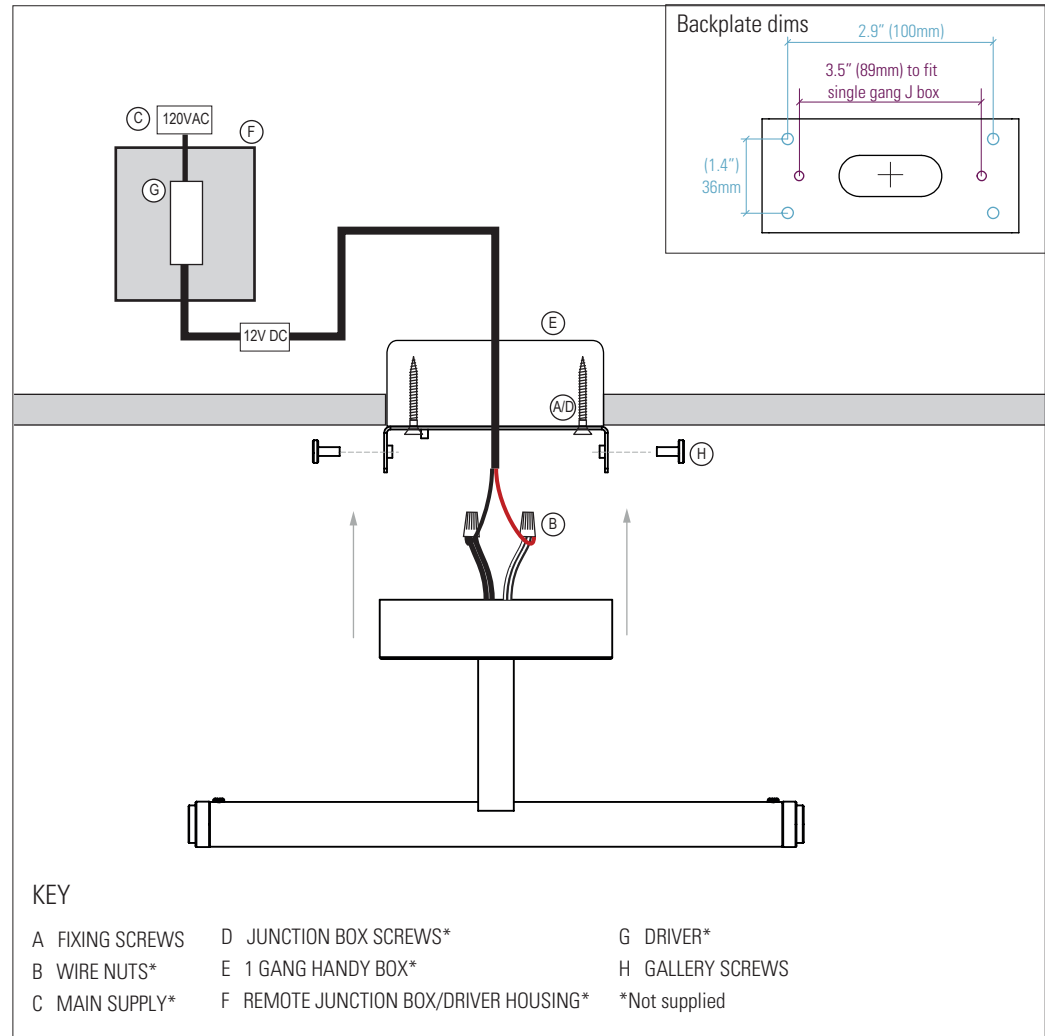
- 12V DC Driver*
- Screwdriver, flat-head
- Small screwdriver, flat-head
- Drill (if holes are required)
- *Not supplied, ordered separately.

Gallery screws secure end caps of light to backplate. Remove for installation.

Installation & Assembly Instructions

- Fitting requires a remote constant voltage (12V) LED driver. Use only with a Class 2 power unit. This is not supplied, and must be purchased separately. Do not connect the fitting directly to the main (120V) supply; only connect the fitting to through a suitable remote Class 2 driver.
- The fitting is dimmable, providing it is connected to a trailing-edge dimmer module.
- Remove the main part of the light from the back plate by unscrewing the gallery screws.
- Follow the instructions on the reverse and refer to the diagrams opposite to install the fitting.
- Where installation requires mounting to a junction box, a single gang handy box should be installed.
- Warm white tone LED (2700K).

Installation Diagram



Do not connect directly to the main (120V) supply - connect fitting through a remote Class 2 power supply!

PLEASE READ THE INSTRUCTIONS ON THE REVERSE BEFORE YOU BEGIN INSTALLING YOUR LIGHT