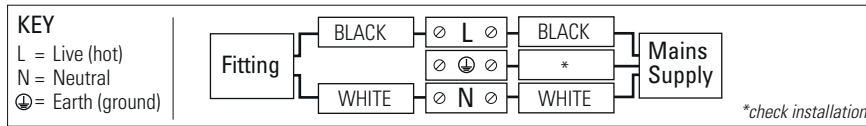


- ENG WARNING – RISK OF FIRE AND ELECTRIC SHOCK. THIS PRODUCT IS BEST INSTALLED BY A QUALIFIED ELECTRICIAN.
 INSTALL IN ACCORDANCE WITH CURRENT NEC WIRING REGULATIONS.
 SUITABLE FOR DRY LOCATIONS ONLY
 TURN OFF POWER AT THE MAIN FUSE BEFORE COMMENCING INSTALLATION.
- FR ATTENTION – RISQUE D'INCENDIE, RISQUE DE CHOC.
 CE PRODUIT DOIT ÊTRE INSTALLÉ SELON LE CODE D'INSTALLATION PERTINENT, PAR UNE PERSONNE QUI CONNAÎT BIEN LE PRODUIT ET SON FONCTIONNEMENT AINSI QUE LES RISQUES INHÉRENTS.
 POUR EMBLACEMENTS SECS SEULEMENT
 COUPEZ LE FUSIBLE PRINCIPAL AVANT DE COMMENCER L'INSTALLATION.

1. Prepare the fitting for installation- consulting the instructions and diagrams on the inside page. Once desired drop of pendant is established, the cable length may be shortened. If cable is desired length already, then skip to instruction point number 3.
2. To shorten cable:-
 - a. Establish required length of cable (ensuring there is some slack) before using wire cutters to cut.
 - b. Remove the outer insulation from the last 6" of the end of the cable, then remove the last 1/4" of inner sleeving from both cables to expose the wire.
 - c. Make sure that when stripping the outer cable no damage occurs to the interior cable.
3. This fitting should be installed on a 4" junction box (not supplied).
4. Open your existing junction box (if you do not have one in the desired position you will need to get an electrician to install one). If removing an existing fitting first, note all wiring connections: record which of the house wires is connected to the live, neutral and earth (ground) terminals.
5. Attach the fixing plate to your junction box using the two existing bolts.
6. In your junction box there should be two supply wires and one ground wire. Connect your new lamp to the electrical supply using UL approved wire nuts. Connect the live (hot) black wire from the power supply to the black conductor on the luminaire cable, then the white (neutral) wire to the white conductor on the luminaire cable and bare copper or green/yellow ground wire should be terminated inside the junction box (do not connect to fitting).



7. Support the fitting so that no strain is applied to the wiring when making the electrical connections. If necessary get a colleague to help.
8. See hanging instructions inside to complete the installation.
9. Fit the correct type and wattage of lamp (or less). Be careful not to overtighten the lamp.
10. Switch on at the fuse-board. Your light fitting is now ready for use.

Other Important Information

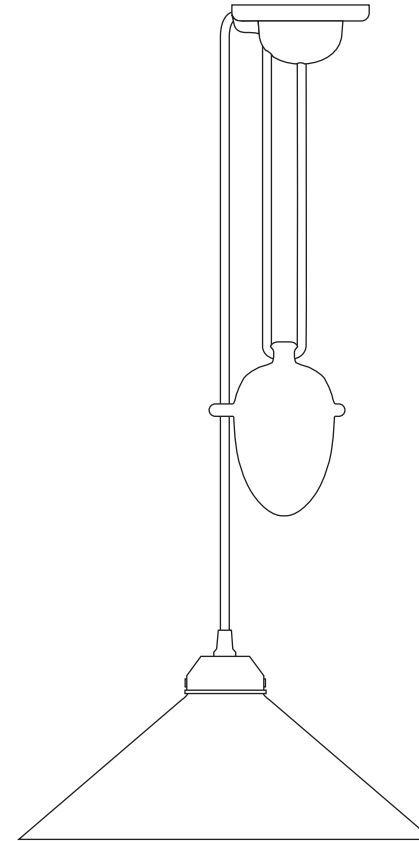
Switch off at mains before changing lamp(s). Never fit a lamp of greater wattage than recommended. Ensure children do not play with the light fitting. Dispose of old lamps carefully. Never leave a fitting without a lamp in position (or someone can accidentally touch the contacts). Adjust fitting only when power to the fitting is off and has been left to cool. If the electrical flex or electrical components become damaged at any point, power to the fitting should be disconnected immediately and not operated until the damaged parts are fixed/replaced. For use in dry, indoor environment only. Ensure the fitting does not come into contact with any liquids.

Cleaning and Maintenance

Metal finishes should only be cleaned with a soft, dry cloth. Do not use polishes or abrasives. Glass can be cleaned using a suitable glass cleaner and soft cloth. Switch off the power to the fitting before cleaning.

Established in 1990, Original BTC manufactures relaxed, familiar lighting for traditional and contemporary homes. All products are hand-assembled in Oxford from high quality components, produced in the UK.

ORIGINALBTC.COM
 +44 (0)1993 882 251
 UNIT 21 / 22 AVENUE ONE, STATION LANE, WITNEY, OX28 4XZ, ENGLAND






Coolie Rise & Fall Pendant Light

| 120V ac 60Hz | IP20 |

US-FP297 Coolie Rise & Fall

The Coolie Rise and Fall is a traditionally inspired light with a modern twist. Rise and fall pendants allow you to adjust height and vary lighting effects, making them the ideal choice for dining tables and kitchens. Simply lower the light for intimate dinners or raise for a broader pool of general light. The light features Original BTC's signature braided cotton flex.

LAMP GUIDANCE			
BASE	SHAPE	TYPE*	WATTAGE**
 E26	 A	INCANDESCENT ✓	100W MAX
 BALL		CFL ✓	20W
		ECO-HALOGEN ✗	n/a
		LED ✓	18W

* Warm white (2700k) low energy lamps recommended.
 ** Wattage value provided as a guide to suitable lamps. Lower wattage than stated may be used.

⚠ THIS PRODUCT IS MADE FROM FINE BONE CHINA. EXCESSIVE FORCE USED DURING INSTALLATION OR OPERATION CAN CAUSE DAMAGES OR BREAKAGES. ⚠

PLEASE READ THE INSTRUCTIONS ON THE REVERSE BEFORE YOU BEGIN INSTALLING YOUR LIGHT

Hanging Instructions

Refer to diagrams on opposite page.

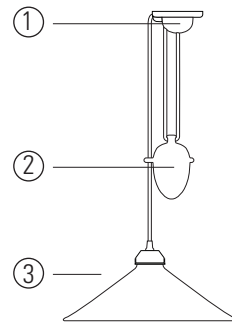
- STEP 1**
- Determine the maximum drop (the lowest the shade will hang from the ceiling) and total movement (rise and fall) of the shade required (see fig.1). Remember: the larger the maximum drop, the larger the minimum drop (the highest the shade will hang without the weight hitting the shade) and vice versa.
 - The drop can be controlled by shortening or lengthening the amount of cable (D) that is allowed to pass through the cord grip (E)- see fig.2. Once you are happy with drop, allow 6" from cord grip (E) in order to make electrical connection, then remove excess cable using wire cutters.

- STEP 2**
- Make electrical connection- see point 4-7 on the reverse.

- STEP 3**
- Screw ceiling plate to ceiling box with washers (G) in place (see fig. 3), **taking care not to apply excessive force when screwing in screws as this can damage the china ceiling rose. DO NOT USE POWER TOOLS.**

To adjust drop of shade (see fig.4), gently pull the shade (J) downwards (while also holding the cable above the shade) to increase the drop and push gently upwards (taking care not to hit the weight (I) as it falls) to decrease the drop.

Contents



- Contents**
- 1 Ceiling Rose
 - 2 Weight
 - 3 Shade
 - 4 2 x washers
- Tools/Hardware Required**
- Junction box
 - 3 x UL wire nuts
 - Screwdriver

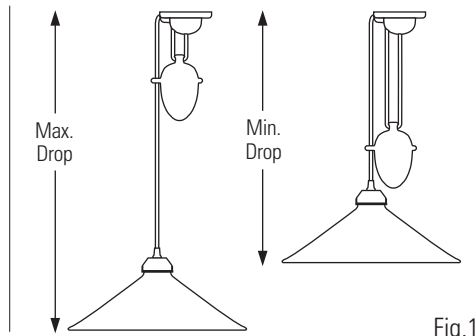


Fig.1

Installation Diagram

Fig.2

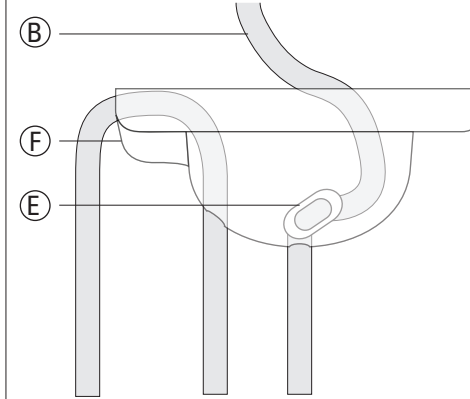


Fig.3

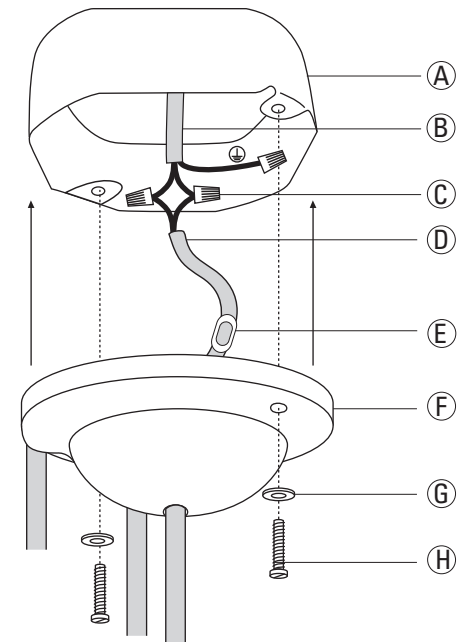
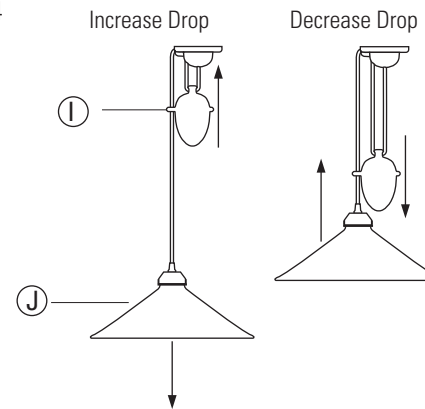


Fig.4



- | | | | |
|-----------------|-------------------|------------------------|---------------|
| A Junction Box* | D Luminaire cable | G Washer | J Shade |
| B Main supply | E Cord Restraint | H Junction box screws* | |
| C Wire nuts* | F Ceiling Rose | I Weight | *not supplied |