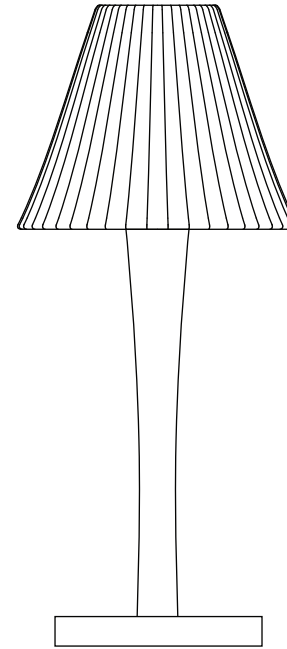
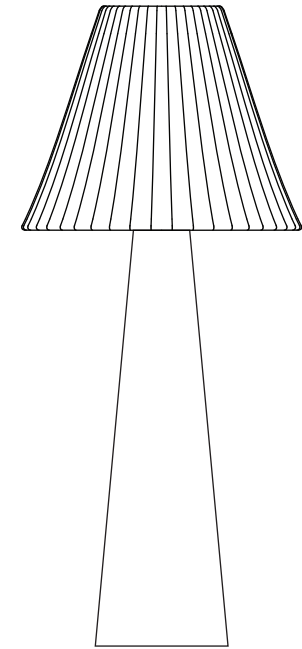


Cecil Table Light

Instruction Manual



Cecil Stem Table Light
US-FT554



Cecil Cone Table Light
US-FT555




Established in 1990, Original BTC manufactures relaxed, familiar lighting for traditional and contemporary homes.
All products are hand-assembled in Oxford from high quality components, produced in the UK.

Cecil Table Light

| 120V ac 60Hz | IP20

US-FT554 Cecil Stem Table Light
 US-FT555 Cecil Cone Table Light

Using Original BTC's trademark of blending the finest materials, the Cecil Table Lights exude quality and simple sophistication. Choose between a narrow or cone shaped wooden stem, in a range of beautiful wooden finishes-cherry, walnut or oak.

LAMP GUIDANCE			
BASE	SHAPE	TYPE*	WATTAGE**
 E26	 	INCANDESCENT ✓ CFL ✓ ECO-HALOGEN ✓ LED ✓	60W MAX 13W 42W 9W

* Warm white (2700k) low energy lamps recommended.
 ** Wattage value provided as a guide to suitable lamps. Lower wattage than stated may be used.

ENG WARNING – RISK OF FIRE AND ELECTRIC SHOCK.

SUITABLE FOR DRY LOCATIONS ONLY

FR ATTENTION – RISQUE D'INCENDIE, RISQUE DE CHOC.

POUR EMPLACEMENTS SECS SEULEMENT

Safety Instructions

These instructions are provided for your safety in order to prevent the risk of Fire, Electric shock or Injury. Please retain for future reference. When fitting is in operation, some parts will become hot; take care when using/handling.

- Ensure the lamp type and max wattage is followed- do not exceed. Take care not to overtighten lamp.
- Do not touch the lamp (bulb) or lamp holder while in operation, as both become very hot.
- Turn off and unplug fitting, leaving lamp to cool before changing lamp. Dispose of old lamps carefully.
- Adjust light fitting only when power to the fitting is off and has been left to cool.
- Never leave a fitting without a lamp in position.
- Keep light fitting away from combustible materials such as soft furnishings.
- Ensure children do not play with the light fitting.
- Ensure the light is positioned on a solid, level and non-slip surface and make sure the position of the cable does not pose a trip hazard.
- If the electrical flex or electrical components become damaged at any point, the fitting must be unplugged from the power supply immediately and not operated until the damaged parts are fixed/replaced.
- For use in a dry, indoor environment only. Ensure the fitting does not come into contact with any liquids.

Cleaning and Maintenance

Metal finishes should only be cleaned with a soft, dry cloth. Do not use polishes or abrasives. Glass and bone china can be cleaned by hand, using a soft damp cloth with a diluted mild detergent (nonabrasive) if necessary. Switch off power to the fitting before cleaning.

Bone china shade installation / lamp change

1. Unscrew the three thumb screws from the shade gimbal

2. Secure the shade bracket to the lampholder using the shade ring

3. Insert bulb

4. Attach the shade using the three thumb screws, carefully locating them into the three holes in the shade bracket

