

# Safety & Installation Instructions

v1.0-04.23

# Antique Brass Pendant Light

US-FP58x/ANT

## Instruction Manual

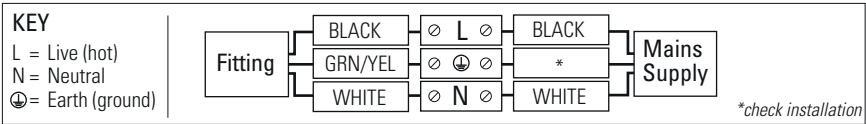
ENG WARNING – RISK OF FIRE AND ELECTRIC SHOCK. THIS PRODUCT IS BEST INSTALLED BY A QUALIFIED ELECTRICIAN. INSTALL IN ACCORDANCE WITH CURRENT NEC WIRING REGULATIONS.

SUITABLE FOR DRY LOCATIONS ONLY  
THE FITTING MUST BE GROUNDED. TURN OFF POWER AT THE MAIN FUSE BEFORE COMMENCING INSTALLATION.

FR ATTENTION – RISQUE D'INCENDIE, RISQUE DE CHOC.  
CE PRODUIT DOIT ÊTRE INSTALLÉ SELON LE CODE D'INSTALLATION PERTINENT, PAR UNE PERSONNE QUI CONNAÎT BIEN LE PRODUIT ET SON FONCTIONNEMENT AINSI QUE LES RISQUES INHÉRENTS.

POUR EMPLACEMENTS SECS SEULEMENT  
L'APPAREIL DOIT ÊTRE MIS À LA TERRE. COUPEZ LE FUSIBLE PRINCIPAL AVANT DE COMMENCER L'INSTALLATION.

1. Prepare the fitting for installation- consulting the instructions and diagrams on the inside page. Once desired drop of pendant is established, the cable length may be shortened. If cable is desired length already, then skip to instruction point number 3.
2. To shorten cable:-
  - a. Establish required length of cable (ensuring there is some slack) before using wire cutters to cut.
  - b. Remove the outer insulation from the last 6" of the end of the cable, then remove the last 1/4" of inner sleeving from both cables to expose the wire.
  - c. Make sure that when stripping the outer cable no damage occurs to the interior cable.
3. This fitting should be installed on a 4" junction box (not supplied).
4. Open your existing junction box (if you do not have one in the desired position you will need to get an electrician to install one). If removing an existing fitting first, note all wiring connections: record which of the house wires is connected to the live, neutral and earth (ground) terminals.
5. Attach the fixing plate to your junction box using the two existing bolts.
6. In your junction box there should be two supply wires and one ground wire. Connect your new lamp to the electrical supply using UL approved wire nuts. Connect the live (hot) black wire from the power supply to the black conductor on the luminaire cable, then the white (neutral) wire to the white conductor on the luminaire cable and bare copper or green/yellow ground wire to the ground terminal or green/yellow wire connected to the fitting.



7. Support the fitting so that no strain is applied to the wiring when making the electrical connections. If necessary get a colleague to help.
8. See hanging instructions inside to complete the installation.
9. Fit the correct type and wattage of lamp (or less). Be careful not to overtighten the lamp.
10. Switch on at the fuse-board. Your light fitting is now ready for use.

### Other Important Information

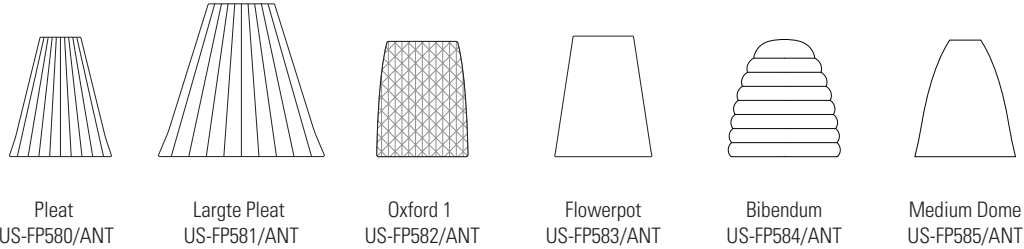
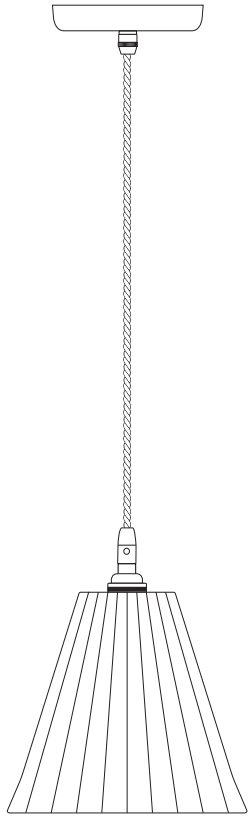
Switch off at mains before changing lamp(s). Never fit a lamp of greater wattage than recommended. Ensure children do not play with the light fitting. Dispose of old lamps carefully. Never leave a fitting without a lamp in position (or someone can accidentally touch the contacts). Adjust fitting only when power to the fitting is off and has been left to cool. If the electrical flex or electrical components become damaged at any point, power to the fitting should be disconnected immediately and not operated until the damaged parts are fixed/replaced. For use in dry, indoor environment only. Ensure the fitting does not come into contact with any liquids.

### Cleaning and Maintenance

Metal finishes should only be cleaned with a soft, dry cloth. Do not use polishes or abrasives. Bone china can be cleaned with a soft damp cloth, or with a diluted mild detergent (non-abrasive). Switch off power to the fitting before cleaning.

Established in 1990, Original BTC manufactures relaxed, familiar lighting for traditional and contemporary homes. All products are hand-assembled in Oxfordshire from high quality components, produced in the UK.

ORIGINALBTC.COM  
+44 (0)1993 882 251  
UNIT 21 / 22 AVENUE ONE, STATION LANE, WITNEY, OX28 4XZ, ENGLAND



ORIGINAL BTC



# Antique Brass Pendant Light

| 120V AC 60Hz | DRY |

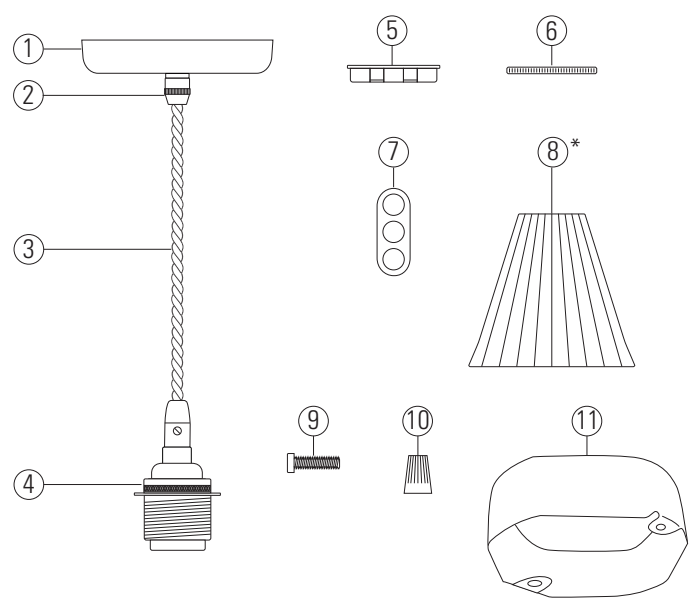
US-FP580/ANT	Antique Brass Pleat, Matt
US-FP581/ANT	Antique Brass Large Pleat, Matt
US-FP582/ANT	Antique Brass Oxford 1, Matt
US-FP583/ANT	Antique Brass Flowerpot, Matt
US-FP584/ANT	Antique Brass Bibendum, Matt
US-FP585/ANT	Antique Brass Medium Dome, Matt

LAMP GUIDANCE : NB lamp not included

BASE	SHAPE	TYPE	WATTAGE*
E26	A	LED	6W (recommended)
		Incandescent	40W Max

\* Wattage value provided as a guide to suitable lamps. Lower wattage than stated may be used. 2700K (warm white) recommended.

## Contents



## Contents

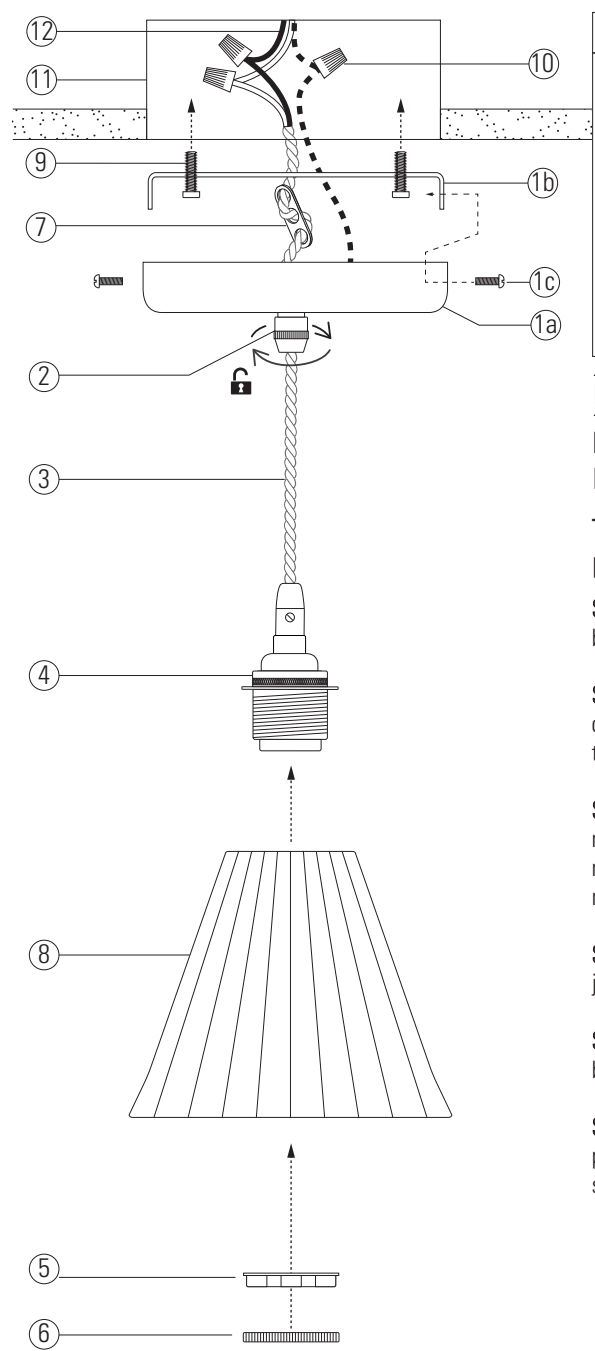
- 1 Ceiling rose
- 2 Ceiling rose cord grip
- 3 Luminaire flex
- 4 Lampholder
- 5 Plastic shade ring
- 6 Brass shade ring
- 7 3-Hole cord grip
- 8 \*Shade

\*refer cover page for shade reference

## Required for Installation

- 9 Junction box screws
- 10 Wire nuts
- 11 Junction box

## Installation Diagram



Key	
1a	Ceiling rose
1b	Fixing bracket
1c	Ceiling rose screws
2	Ceiling rose cord grip
3	Luminaire flex
4	Lamp holder
5	Plastic shade ring
6	Brass shade disc
7	3-Hole cord grip
8	Shade
9	Junction box screws*
10	Wire nut*
11	Junction box*
12	Mains supply*

\*Not supplied

## Installation Instructions

Refer to the diagrams & read the Safety & Installation instructions overleaf.

**Take care when handling ceramic products during installation.**

**STEP 1** - Secure the fixing bracket (1b) to the junction box (11) using existing junction box screws (9).

**STEP 2** - Shorten the cable, if desired. Loosen the ceiling rose cord grip (2), then pulling the cable up to to desired length. Refer to point 2 on the back page.

**STEP 3** - Adjust the position of the 3-hole cord grip (7), make sure the it is pushed against the edge of the hex nut inside the ceiling rose (1). Then tighten the ceiling rose cord grip (2).

**STEP 4** - Make the electrical connections inside the junction box, using suitable wire nuts (10).

**STEP 5** - Secure the ceiling rose (1a) to the fixing bracket (1b) using the screws supplied (1c).

**STEP 6** - Assemble the shade (8) as shown. The black plastic shade ring (5) is used as a spacer and is secured with the brass shade ring (6).