

# Safety & Installation Instructions

v1.0-05.21

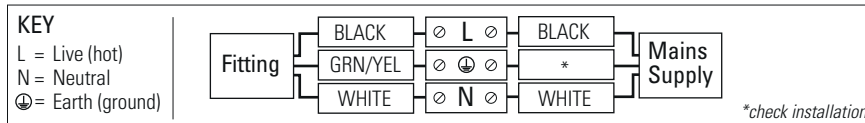
# US Shard Chandelier100 Light

## Instruction Manual

ENG WARNING – RISK OF FIRE AND ELECTRIC SHOCK. THIS PRODUCT IS BEST INSTALLED BY A QUALIFIED ELECTRICIAN. INSTALL IN ACCORDANCE WITH CURRENT NEC WIRING REGULATIONS. SUITABLE FOR DRY LOCATIONS ONLY. THE FITTING MUST BE GROUNDED. TURN OFF POWER AT THE MAIN FUSE BEFORE COMMENCING INSTALLATION.

FR ATTENTION – RISQUE D'INCENDIE, RISQUE DE CHOC. CE PRODUIT DOIT ÊTRE INSTALLÉ SELON LE CODE D'INSTALLATION PERTINENT, PAR UNE PERSONNE QUI CONNAÎT BIEN LE PRODUIT ET SON FONCTIONNEMENT AINSI QUE LES RISQUES INHÉRENTS. POUR EMPLACEMENT SECS SEULEMENT L'APPAREIL DOIT ÊTRE MIS À LA TERRE. COUPEZ LE FUSIBLE PRINCIPAL AVANT DE COMMENCER L'INSTALLATION.

1. Prepare the fitting for installation- consulting the instructions and diagrams on the inside page. Once desired drop of pendant is established, the cable length may be shortened. If cable is desired length already, then skip to instruction point number 3.
2. To shorten cable:-
  - a. Establish required length of cable (ensuring there is some slack) before using wire cutters to cut.
  - b. Remove the outer insulation from the last 6" of the end of the cable, then remove the last 1/4" of inner sleeving from both cables to expose the wire.
  - c. Make sure that when stripping the outer cable no damage occurs to the interior cable.
3. This fitting should be installed on a 4" junction box (not supplied).
4. Open your existing junction box (if you do not have one in the desired position you will need to get an electrician to install one). If removing an existing fitting first, note all wiring connections: record which of the house wires is connected to the live, neutral and earth (ground) terminals.
5. Attach the ceiling bracket to your junction box using the two existing bolts.
6. In your junction box there should be two supply wires and one ground wire. Connect your new lamp to the electrical supply using UL approved wire nuts. Connect the live (hot) black wire from the power supply to the black conductor on the luminaire cable, then the white (neutral) wire to the white conductor on the luminaire cable and bare copper or green/yellow ground wire to the ground terminal or green/yellow wire connected to the fitting.



7. Support the fitting so that no strain is applied to the wiring when making the electrical connections. If necessary get a colleague to help.
8. See hanging instructions inside to complete the installation.
9. Fit the correct type and wattage of lamp (or less). Be careful not to overtighten the lamp.
10. Switch on at the fuse-board. Your light fitting is now ready for use.

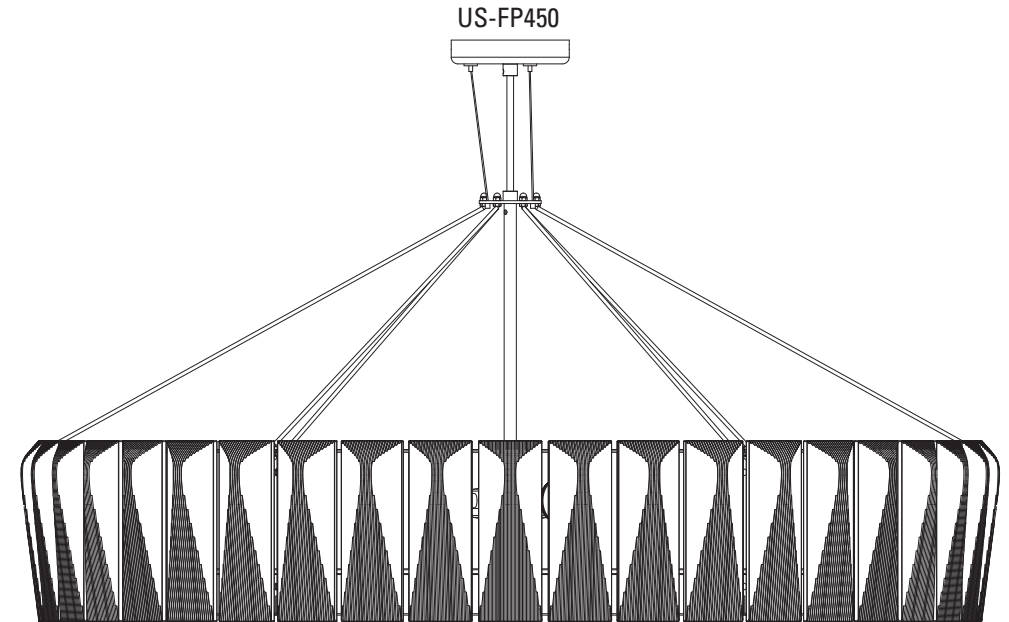
### Other Important Information

Switch off at mains before changing lamp(s). Never fit a lamp of greater wattage than recommended. Ensure children do not play with the light fitting. Dispose of old lamps carefully. Never leave a fitting without a lamp in position (or someone can accidentally touch the contacts). Adjust fitting only when power to the fitting is off and has been left to cool. If damaged contact the manufacturer or his service agent, or a similar qualified person, in order to avoid a hazard.

For use in a dry, indoor environment only. Ensure the fitting does not come into contact with any liquids.

### Cleaning and Maintenance

Metal finishes should only be cleaned with a soft, dry cloth. Do not use polishes or abrasives. Bone china can be cleaned by hand, using a soft damp cloth with a diluted mild detergent (nonabrasive) if necessary. Switch off power to the fitting before cleaning.



Established in 1990, Original BTC manufactures relaxed, familiar lighting for traditional and contemporary homes.

All products are hand-assembled in Oxford from high quality components, produced in the UK.

ORIGINALBTC.COM

+44 (0)1993 882 251

UNIT 21 / 22 AVENUE ONE, STATION LANE, WITNEY, OX28 4XZ, ENGLAND






## ORIGINAL BTC

BRITISH LIGHTING MANUFACTURER  
LONDON - NEW YORK - PARIS



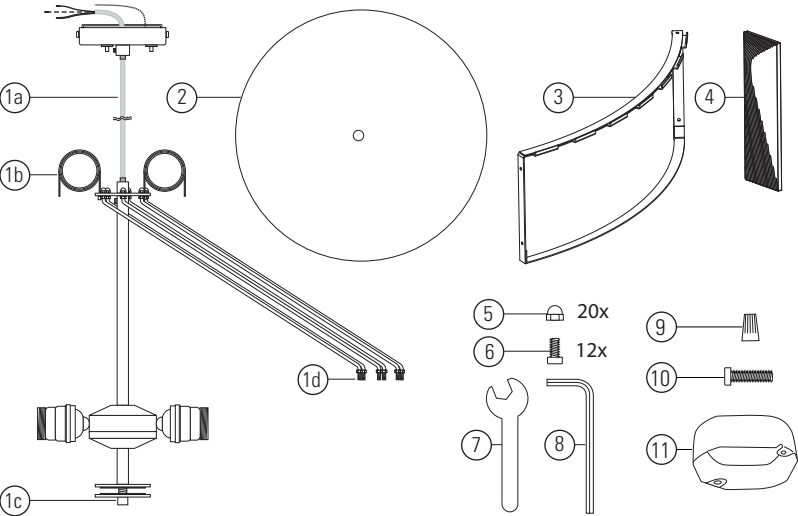
# US Shard Chandelier Light

| 120V ac 60Hz | IP20

LAMP GUIDANCE US-FP450		Shard Chandelier Light	
BASE	SHAPE	TYPE*	WATTAGE**
 E26	 A	INCANDESCENT ✓	3 x 40W MAX
	 BALL	CFL ✓	3 x 15W
		ECO-HALOGEN ✓	3 x 28W
		LED ✓	3 x 10W

\* Warm white (2700k) low energy lamps recommended.  
 \*\* Wattage value provided as a guide to suitable lamps. Lower wattage than stated may be used.

## Contents



## Contents

- 1a Luminaire Cable
- 1b Suspension Wires x3
- 1c Glass Nut
- 1d Spokes
- 2 Glass visor
- 3 Frame Section x6
- 4 Tile x42
- 5 Dome Nut x 20
- 6 Bolt x 12
- 7 7mm Spanner
- 8 Hex Wrench
- 9 Wire Nuts
- 10 Junction box screws
- 11 4" Junction Box

## Assembly

Tools Required - Cross head screwdriver - flat head screwdriver - drill - wire cutters

1. Assemble the frame sections (3) using the nuts (5) and bolts (6), use the 7mm spanner provided (7).
2. Spread out the spokes (1d) and feed the threaded ends into the holes in the assembled frame. Secure the nuts (5) using the 7mm spanner (7).
3. Determine drop length and cut the luminaire cable (1a) if necessary. Prepare the supply and luminaire cables (1a) as shown: see further wiring details in Safety and Installation Instructions overleaf.  
 Determine drop length and position the ceiling rose on the luminaire cable (1a) and steel suspension wire (1b). To reduce the drop length, push the steel suspension wire into the clamp nozzle (3i). To increase the drop length, depress the clamp nozzle and pull the steel wire (3ii). Be sure to tighten the black grub screw onto the luminaire cable and clear plastic sleeving (3iii). Cut any excess wire and cable as required.
4. -Attach the ceiling bracket to the pre-installed 4" junction box, using appropriate fixings (10).  
 -Make electrical connections, including all earth connections: see wiring details in Safety and Installation Instructions overleaf.  
 -Attach the ceiling rose cover onto the installed ceiling bracket using the two brass gallery screws supplied. Be sure to support the weight of the fitting when securing the gallery screws. If necessary get a colleague to help.
5. Screw in the necessary light bulbs (not included) and secure the glass visor (2) into position using the two chrome discs and the chrome glass nut (1d). Be sure the rubber gasket side of the chrome discs are touching the glass. Once the glass nut is in place, tighten the small grub screw to lock the glass nut into place using the Hex Key (8) provided.
6. Once the fixture is suspended and the glass disc has been attached, proceed to hang the shard tiles (4). These should be done one at a time, hanging tiles on alternate sides of the frame ring to maintain balance.

## Installation Diagram

