

Safety instructions

Important! Before commencing installation work disconnect the main cable from the power supply - remove fuse or turn switch to "OFF"!

1. Installation should be carried out in accordance with the local safety regulations.
2. In order to prevent damage, please check walls for cables before drilling holes.
3. Please ensure that all electrical connections (even pre-assembled lamps) are screwed tightly or are fully inserted as good contact is essential for a long life-span at high currents. Please check for tight connections after changing or adjusting lamps. Screwed connections must be tightened after 20 minutes.
4. Please do not place objects on your system (e.g. for decorative purposes) if they were not delivered with the system.
5. The lamps get very hot when in use. Please allow lamps to cool down before touching.
6. Do not change lamps or spots when switched on.
7. System should not be enlarged with additional lamps.
8. We reserve the right to technical alterations.

Please keep these instructions.

Europe: Integrated LED - Voltage: 230 VAC

North America: Integrated LED - Voltage: 120 VAC

Use of a dimmer is highly recommended

(Must be LED compatible.)

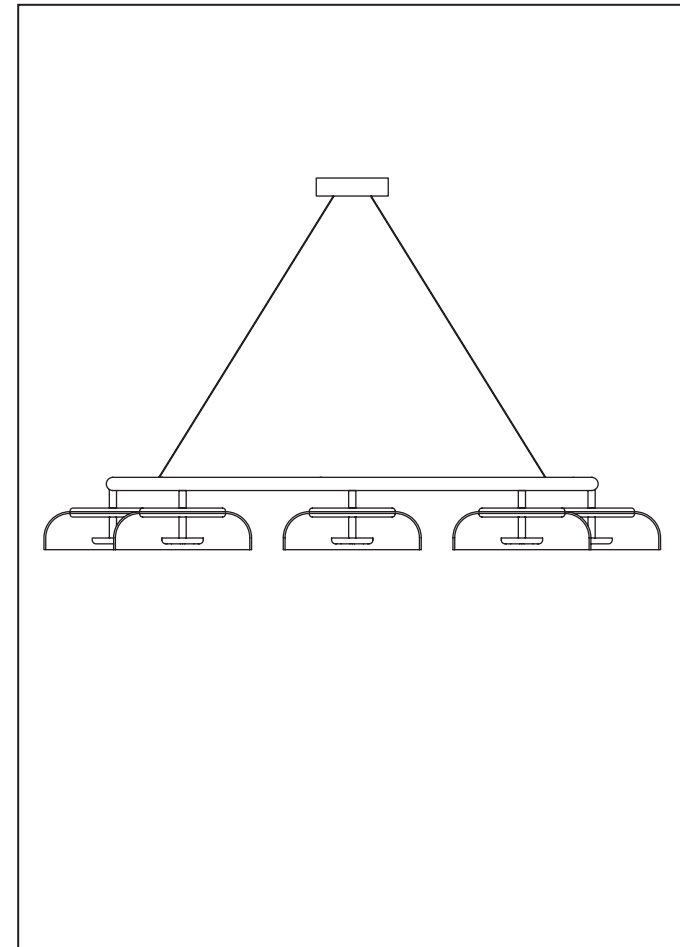
The glass used for this lamp is hand-blown.

Only 1st. quality has been chosen.

Air bubbles and variations in thickness and colour is normal.

Blossi 8

Assembly Instructions



NUURA

www.nuura.com
info@nuura.com

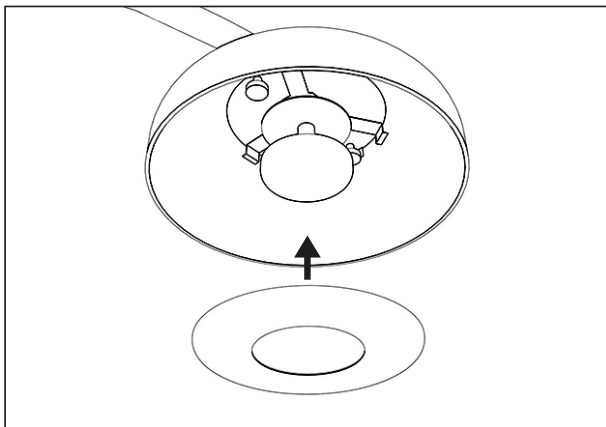
© 2018 All rights reserved

CE

NUURA

© 2018 All rights reserved

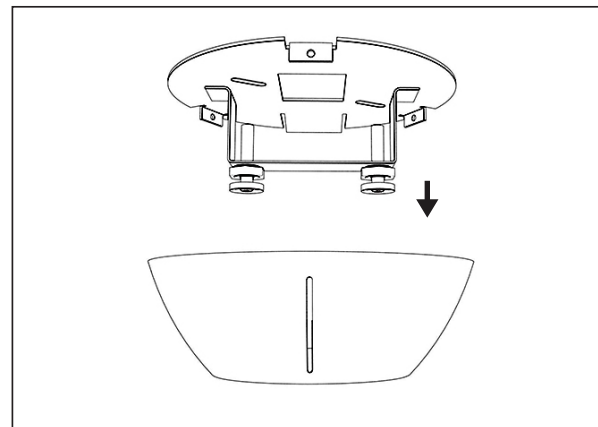
10



Attach the inner plate by carefully sliding it up and let the magnets fixate the plate to the lamp.

NB: Place your hands on bottom of the plate, when sliding it up towards the lamp.

1

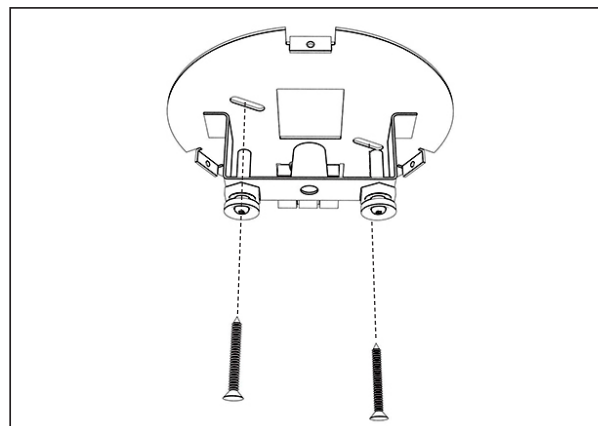


Remove the cover plate from the mounting plate by pulling them apart by hand.

Please note that cover plate is fixed to the mounting plate via strong magnets.

NB: Do not use tools as they can scratch the cover plate.

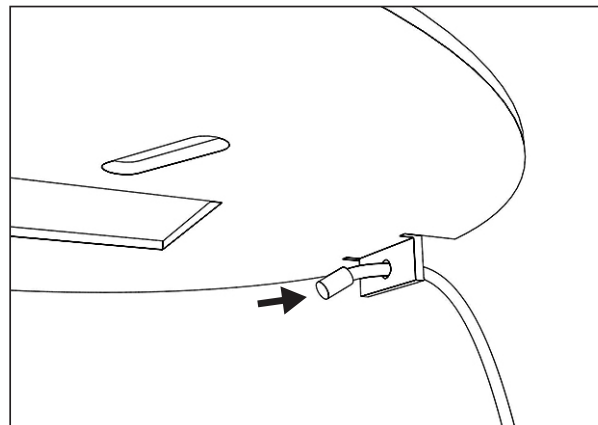
2



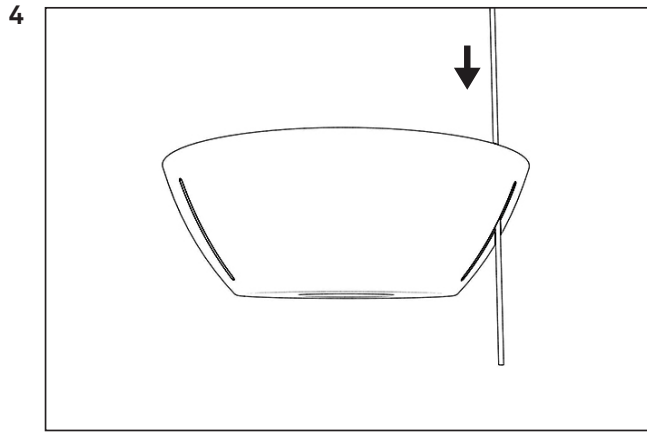
Fixate the mounting plate to the ceiling with screws.

Please make sure it is fixated properly.

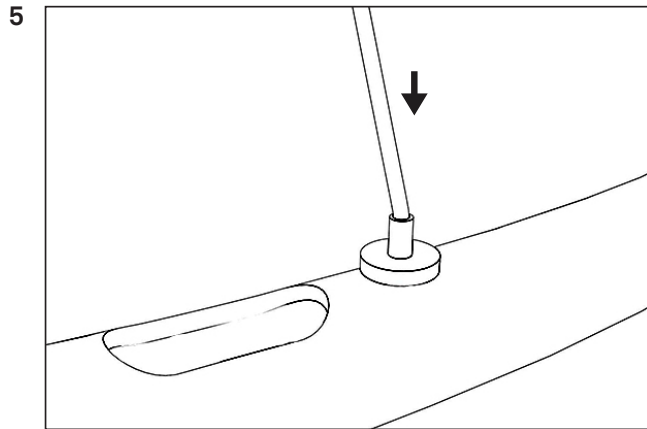
3



Lead the three wires through the holes in the mounting plate.



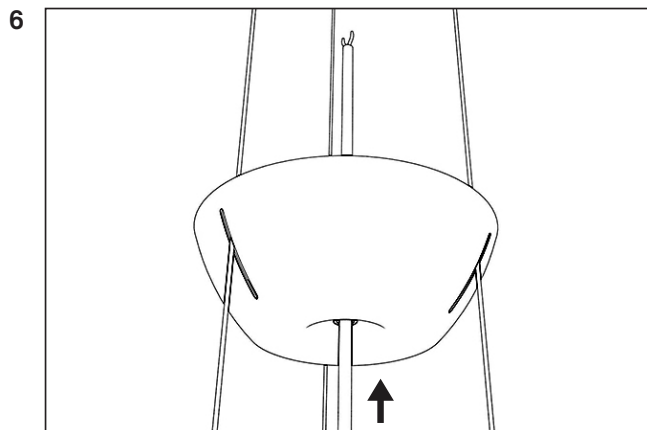
Lead the wires through the top of the cover plate.



Lead the wires through the three wire locks on the ring. The locks will automatically keep the wires in place.

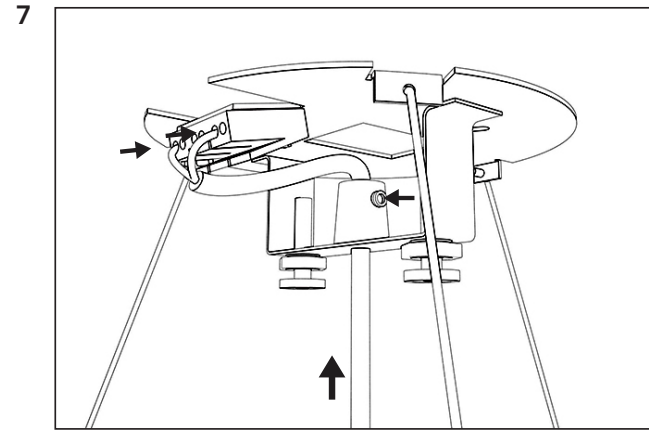
Adjust the chandelier until you have reached the desired height.

NB: Be carefull not to let the cover plate touch the magnets on the mounting plate while adjusting the chandelier.



Lead the cable through the bottom of the cover plate.

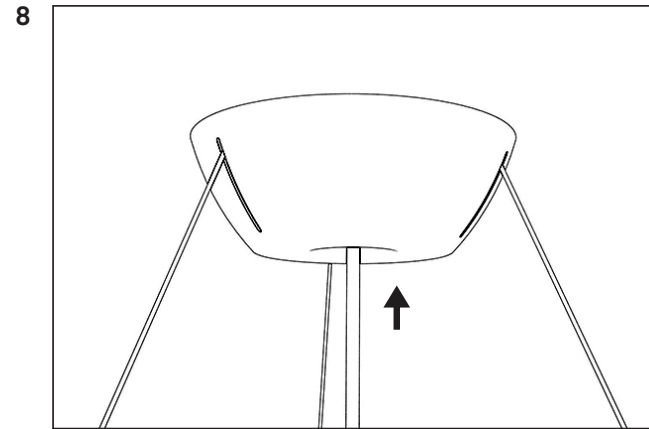
Cut the cable to desired length.



Lead the cables through the cable relief and fixate the cable by carefully turning the screw clockwise.

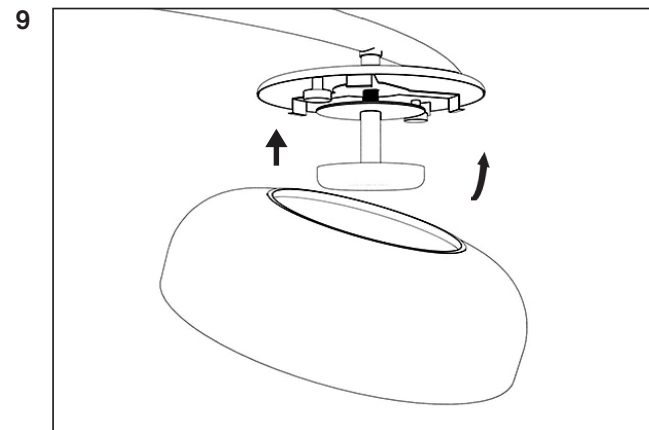
Lead the ends of the cables into the cable connector. Place the brown wire-end in one of the two holes in "L", place the blue wire-end in one of the two holes in "N"

Connect the power cable in the same manner.



Attach the cover plate to the mounting plate by carefully sliding cover plate up and let the magnets fixate it.

NB: Place your hands on the side or bottom of the cover plate, when sliding it up towards the mounting plate.



Attach each glass by fixing them with the three hooks located inside each of the 8 lamps.

Please make sure the glass is properly fixated before continuing.