

# mosso pro

## KONCEPT



Delivering a phenomenal 99 lumens per watt efficiency, Mosso Pro changes light colors from warm to cool and anything in between. An intuitive built-in touchstrip allows for effortless continuous dimming. Built-in occupancy sensor ensures no energy is wasted lighting up a vacant desk. For smart phone enthusiasts, Mosso Pro comes standard with an USB port, or optionally a wireless charging base is available for recharging Qi-compatible mobile devices. With Mosso Pro, anything is possible.

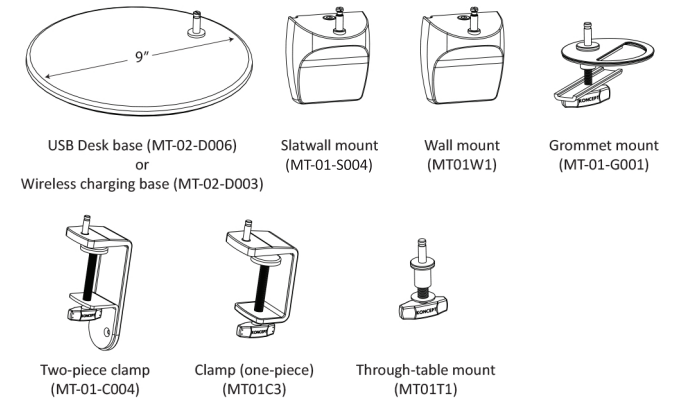
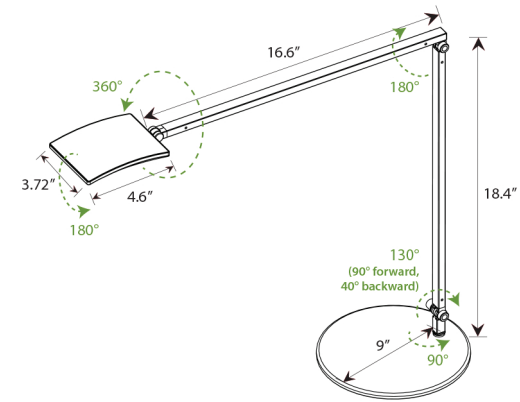
2013 Best of NeoCon GOLD  
2014 Next Generation Luminaires "Best in Class"

Designer  
Peter Ng, Kenneth Ng & Edmund Ng

Lumens:	540
Energy Consumption:	5.5 watts
Number of LEDs:	48 LEDs
LED Rated Lifespan:	50,000 hours
Color Temperature:	Variable from 2,700K to 5,000 K
Color Rendering Index (CRI):	83
Dimmer:	Built-in touchstrip
Brightness Adjustability:	Continuous
Occupancy Sensor:	Built-in
Standard Color Finish*:	Metallic Black, Silver, White
Material:	Aluminum/Plastic
Cord Color:	Black
Cord Length:	10'
Transformer (100-240 V; 50/60 Hz):	Included - C-UL-US Certified
Maximum Brightness (15" above desk):	103 fc

Built-in USB port (on USB base): 5V 1A  
\*Custom colors are available at additional cost. Contact Konzept or your sales representative for a quote.

- AR2001- - - -
- MBK = Metallic Black
  - SIL = Silver
  - WHT = White
- 
- USB = USB Desk Base
  - CLP = Clamp (One-Piece)
  - 2CL = Two-Piece Clamp
  - SLT = Slatwall Mount
  - WAL = Wall Mount
  - GRM = Grommet Mount
  - THR = Through-table Mount
  - QCB\* = Wireless Charging Base\*



### Potential LEED Points:

#### Energy & Atmosphere (EA)

*Credit 1.1: Optimize Energy Performance*  
LED lighting to reduce energy consumption.  
(Potential points: 3)

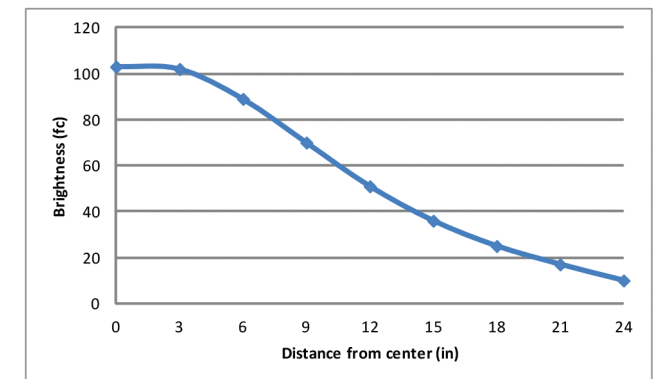
#### Innovation In Design (ID)

*Credit 1.1- 1.4: Innovation in Design*  
Mosso Pro features an LED head that swivels up and down and twirls a full 360 degrees. The lamp also features a built-in touchstrip for touch sensitive dimming.  
(Potential points: 4)

#### Materials & Resources (MR)

*Credit 4.1: Recycled Content - 10%*  
Lamps contain parts made out of 10% pre-consumer recycled content.  
(Potential points: 1)  
*Credit 4.2: Recycled Content - 20%*  
Lamps contain parts made out of 20% pre-consumer recycled content.  
(Potential points: 2)

Light source placed at 15" away from worksurface



Lamp contains 31% preconsumer recycled material by weight\*  
Aluminum housing is fully recyclable  
All color finishes use water-based paint  
LEDs do not contain mercury

\*in standard configuration (includes transformer and weighted base)