

m o o o i

Perch Light Wall

UMUT YAMAC



Made of folded paper and brass, the Perch evokes a feeling of freedom. Let the graceful bird swing and glow with joy. Just beware that it might just spread its wings and fly away...

Detailing



This sunlit bird is free to swing when softly touched. It gently glows and brings along the promise of spring.

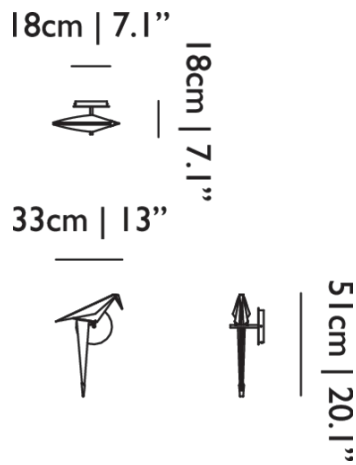
Colours



Brass and white

Perch Light Wall / Large non-dimmable

Dimensions



Product

WIDTH 33cm | 13"
HEIGHT 51cm | 20.1"
DEPTH 18cm | 7.1"
WEIGHT NETTO 3kg | 6.61lbs

Packaging

WIDTH 45.8cm | 18"
HEIGHT 20cm | 7.9"
CUBAGE 0.06m³ | 2.23ft³
LENGTH 69cm | 27.2"
WEIGHT 2.5kg | 5.51lbs

Technical CE

MATERIAL

Steel and aluminium frame with polycarbonate (PC) and synthetic paper birds.

ENERGY LABEL

B

INSTALLATION REQUIRED

Yes

LIGHTSOURCE TYPE

LED

LIGHTSOURCE INCLUDED

Yes

NUMBER OF LIGHTSOURCES

1

INPUT VOLTAGE

90-264V

FREQUENCY

50/60

MAX POWER CONSUMPTION

5W

LAMPHOLDER

LED (Solid state)

LIFETIME

50000 hours

CABLE COLOUR

Black

CABLE LENGTH

260cm | 102.4"

COLOUR TEMPERATURE

3000 K

CRI

80

LIGHT DIRECTION

All directions

LIGHT OUTPUT

150 lm



Technical UL

MATERIAL

Steel and aluminium frame with polycarbonate (PC) and synthetic paper birds.

ENERGY LABEL

B

LIGHTSOURCE TYPE

LED

NUMBER OF LIGHTSOURCES

1

FREQUENCY

50/60

LAMPHOLDER

LED (Solid state)

COLOUR TEMPERATURE

3000 K

LIGHT DIRECTION

All directions

INSTALLATION REQUIRED

Yes

LIGHTSOURCE INCLUDED

Yes

INPUT VOLTAGE

100-240V

MAX POWER CONSUMPTION

5W

LIFETIME

50000 hours

CRI

80

LIGHT OUTPUT

150 lm



Perch Light Wall / Recessed Large dimmable 1-10V

Dimensions

8cm | 2.8"



15cm | 5.9"

33cm | 13"



51cm | 20.1"

*Product***WIDTH** 33cm | 13"**HEIGHT** 51cm | 20.1"**DEPTH** 15cm | 5.9"**WEIGHT NETTO** 2kg | 4.4lbs*Packaging***WIDTH** 45.8cm | 18"**HEIGHT** 13.5cm | 5.3"**CUBAGE** 0.03m³ | 1.23ft³**LENGTH** 56.5cm | 22.2"**WEIGHT** 2kg | 4.4lbs*Technical CE***ADDITIONAL**

The Perch Light Wall Recessed can be installed on drywalls only. Because of the size of the driver, it's not possible to mount it to a solid wall.

MATERIAL

Steel and aluminium frame with polycarbonate (PC) and synthetic paper birds.

ENERGY LABEL

B

INSTALLATION REQUIRED

Yes

LIGHTSOURCE TYPE

LED

NUMBER OF LIGHTSOURCES

1

FREQUENCY

50/60

LAMPHOLDER

LED (Solid state)

COLOUR TEMPERATURE

3000 K

LIGHT OUTPUT

150 lm

LIGHTSOURCE INCLUDED

Yes

INPUT VOLTAGE

180-240V

MAX POWER CONSUMPTION

5W

LIFETIME

50000 hours

CRI

80

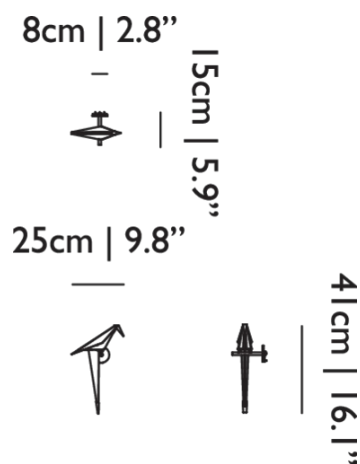
DIMMING & LIGHTING CONTROL

0-10V, 1-10V, Push / Pulse dim on Low Voltage (SELV), Potentiometer

See last page for more information about the dimming possibilities.

Perch Light Wall / Recessed Small dimmable 1-10V

Dimensions



Product

WIDTH 25cm | 9.8"
HEIGHT 41cm | 16.1"
DEPTH 15cm | 5.9"
WEIGHT NETTO 2kg | 4.4lbs

Packaging

WIDTH 45.8cm | 18"
HEIGHT 13.5cm | 5.3"
CUBAGE 0.03m³ | 1.23ft³
LENGTH 56.5cm | 22.2"
WEIGHT 2kg | 4.4lbs

Technical CE

ADDITIONAL

The Perch Light Wall Recessed can be installed on drywalls only. Because of the size of the driver, it's not possible to mount it to a solid wall.

MATERIAL

Steel and aluminium frame with polycarbonate (PC) and synthetic paper birds.

ENERGY LABEL

B

INSTALLATION REQUIRED

Yes

LIGHTSOURCE TYPE	LED	LIGHTSOURCE INCLUDED	Yes
NUMBER OF LIGHTSOURCES	1	INPUT VOLTAGE	180-240V
FREQUENCY	50/60	MAX POWER CONSUMPTION	5W
LAMPHOLDER	LED (Solid state)	LIFETIME	50000 hours
COLOUR TEMPERATURE	3000 K	CRI	80
LIGHT DIRECTION		LIGHT OUTPUT	150 lm

DIMMING & LIGHTING CONTROL

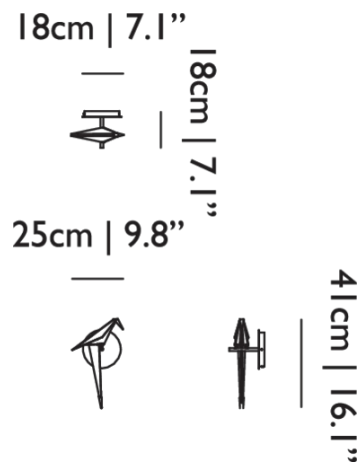
0-10V, 1-10V, Push / Pulse dim on Low Voltage (SELV), Potentiometer

See last page for more information about the dimming possibilities.



Perch Light Wall / Small non-dimmable

Dimensions



Product

WIDTH 25cm | 9.8"
HEIGHT 41cm | 16.1"
DEPTH 18cm | 7.1"
WEIGHT NETTO 3kg | 6.61lbs

Packaging

WIDTH 45.8cm | 18"
HEIGHT 20cm | 7.9"
CUBAGE 0.07m³ | 2.3ft³
LENGTH 71cm | 28"
WEIGHT 2.5kg | 5.51lbs

Technical CE

MATERIAL

Steel and aluminium frame with polycarbonate (PC) and synthetic paper birds.

ENERGY LABEL

B

INSTALLATION REQUIRED

Yes

LIGHTSOURCE TYPE

LED

LIGHTSOURCE INCLUDED

Yes

NUMBER OF LIGHTSOURCES

1

FREQUENCY

50/60

LAMPHOLDER

LED (Solid state)

CABLE COLOUR

Black

COLOUR TEMPERATURE

3000 K

LIGHT OUTPUT

90 lm

**INPUT VOLTAGE**

90-264V

MAX POWER CONSUMPTION

5W

LIFETIME

50000 hours

CABLE LENGTH

260cm | 102.4"

CRI

80

*Technical UL***MATERIAL**

Steel and aluminium frame with polycarbonate (PC) and synthetic paper birds.

ENERGY LABEL

B

INSTALLATION REQUIRED

Yes

LIGHTSOURCE TYPE

LED

LIGHTSOURCE INCLUDED

Yes

NUMBER OF LIGHTSOURCES

1

INPUT VOLTAGE

100-240V

FREQUENCY

50/60

MAX POWER CONSUMPTION

5W

LAMPHOLDER

LED (Solid state)

LIFETIME

50000 hours

COLOUR TEMPERATURE

3000 K

CRI

80

LIGHT OUTPUT

90 lm



Dimming & Lighting Control

0-10V

The luminaire is dimmable by using an either internally mounted or externally placed 0-10V dimmer switch. 0-10V is a dimming system widely used in some parts of the world, for example in North-America. This method will need its own wiring. Dimming quality is perfect, without flicker, the range can be limited and the luminaire can be dimmed to off.

Compatible models: Recessed Large dimmable 1-10V CE, Recessed Small dimmable 1-10V CE

1-10V

The luminaire is dimmable by using an either internally mounted or externally placed 1-10V dimmer switch. 1-10V is a dimming system widely used in some parts of the world, for example in North-America. This method will need its own wiring. Dimming quality is perfect, without flicker, the range can be limited and the luminaire cannot be dimmed to off. To turn off the luminaire a switch is needed.

Compatible models: Recessed Large dimmable 1-10V CE, Recessed Small dimmable 1-10V CE

Push / Pulse dim on Low Voltage (SELV)

The luminaire is dimmable by using an either internally mounted or externally placed low voltage momentary switch or pushbutton switch. This switch will need its own low voltage wiring. The switch should be of the type 'normal off - momentary on'. The luminaire dims perfectly when the switch makes and holds contact. A short press switches between on and off.

Compatible models: Recessed Large dimmable 1-10V CE, Recessed Small dimmable 1-10V CE

Potentiometer

The luminaire is dimmable by turning a potentiometer knob that is either internally mounted or externally placed. This dimmer will need its own low voltage wiring, hiring a professional installer is advised. The lamp is perfectly dimmable. Most knobs can be used to also turn the luminaire on/off.

Compatible models: Recessed Large dimmable 1-10V CE, Recessed Small dimmable 1-10V CE
