

## Mobile Light™

A bright pendant with rotating arms and a wide spread of light. The adaptable fixture adds a sculptural element perfect for living, dining and work areas.

**Design**  
2013, Andrew Neyer

**Materials**  
Powder coated steel and aluminum  
Oiled oak

**Dimensions**  
64" L x 48" W x 15" H (with bulbs)

**Drop Options**  
6", 12", 18", 24", 30", 36"  
Additional stems can be purchased and combined for longer drop options

**Specifications**  
Hardwired fixture  
Mounts to standard junction box  
120V / Medium base sockets

**Lighting**  
(5) 120V 60W E26 medium-base bulbs (not included)  
Recommended bulbs: G40 or G25

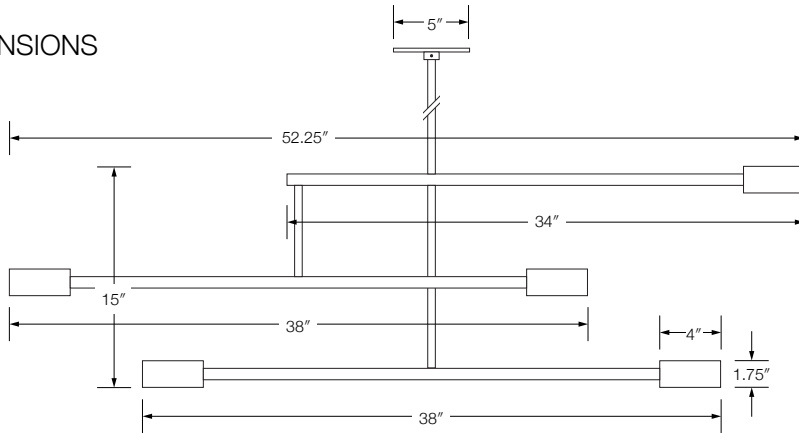
SKU	Color
ML-3-BLK	● Black
ML-3-WHT	○ White
ML-3-GRY	● Grey

**Canopy Dimensions**  
5" Dia x 0.25" H

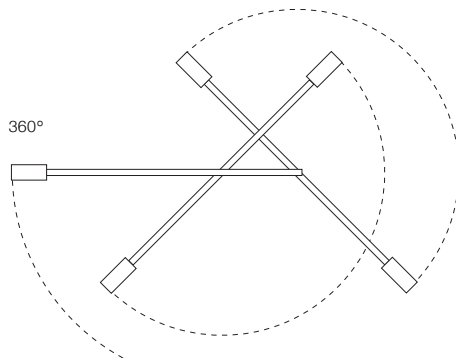


Pictured: ML-3-BLK

### DIMENSIONS



### SWING PATH



Measure twice, cut sheet once!

