

Bowl Table

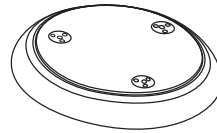
by Ayush Kasliwal

mater



Thank you for purchasing the Bowl Table.
This page lists all the contents included in the box, the assembling instructions and tips for cleaning and care.
As you unpack and prepare for assembly, place the contents on a carpeted or padded area to protect them from damage.

Components



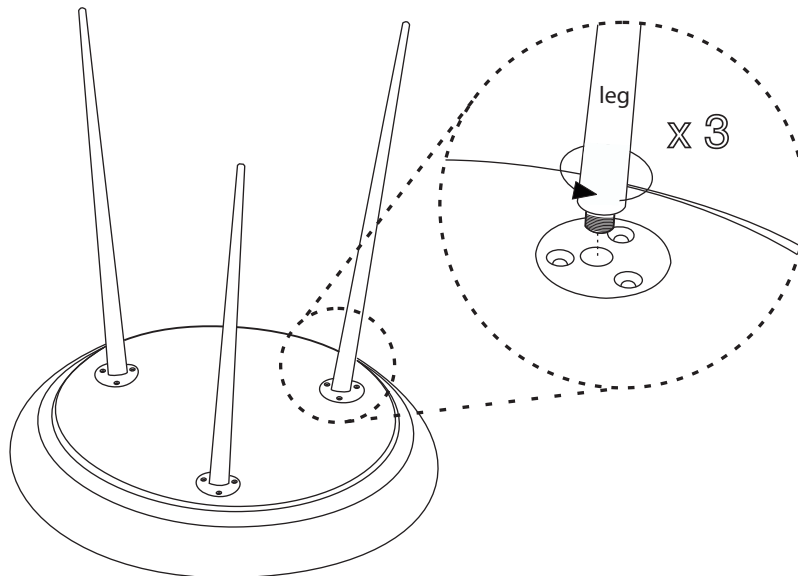
1 x top panel



3 x legs

Cleaning & care

- Use coasters to protect the surface from heat and water
- Clean surfaces with a soft damp cloth.
- Do not use abrasive cleaning agents



Carefully position table top upside down onto clean, padded surface. Insert threaded studs of each leg into corresponding holes of the table top. Turn each leg clockwise to secure. Position unit upright.