

MAGIC Chandeliers & Pendants

MODERN FORMS

PD-35603L / PD-35605L / PD-35623L

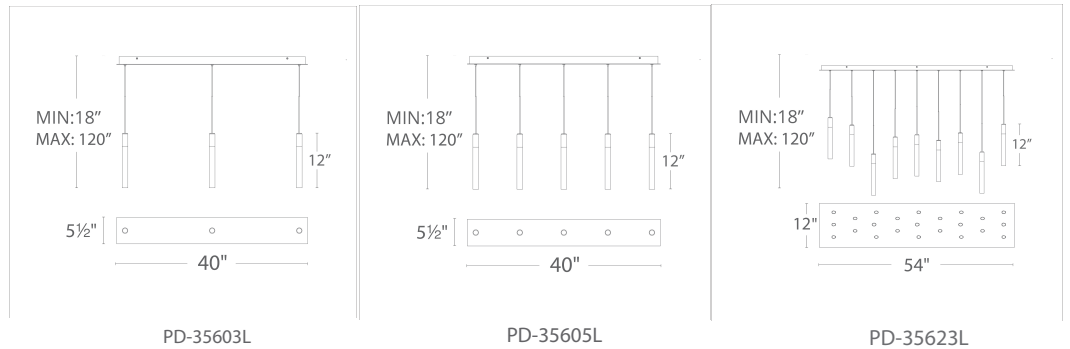


Fixture Type:

Catalog Number:

Project: _____

Location: _____



PRODUCT DESCRIPTION

Crafted from Piastra crystal, an artisanal technique that dates all the way back to the 13th century, these crystalline staves project gorgeous LED illumination from all sides for a dazzling presentation of light. Whether you choose a simple pendant or design an entire space with chandeliers and sconces, these sparkling designs will make you believe in Magic.

FEATURES

- Cylindrical crystalized art glass shade
- ETL & cETL, Damp Location listed
- Universal Driver (120V-277V) concealed within the canopy
- Rated Life: 75,000 hours
- Color Temp: 3000K
- CRI: 90

SPECIFICATIONS

- Construction:** Steel body and noodle glass diffuser
- Light Source:** High output LED
- Dimming:** ELV
- Finish:** Polished Nickel (PN), Black (BK)
- Standards:** ETL & cETL, Damp Location listed

ORDER NUMBER

Model	# of lights	Wattage	Voltage	LED Lumens	Delivered Lumens	Finish
PD-35603L	3 lights	16.5		673	620	PN Polished Nickel
PD-35605L	5 lights	26.5W	120V-220V-277V	1122	1033	BK Black
PD-35623L	23 lights	121 W		5060	4600	

REPLACEMENT GLASS

Part#	Fixture
RPL-GLA-12620	PD-35603L PD-35605L PD-35623L

Example: **PD-35603-PN**

modernforms.com
Phone (800) 526.2588
Fax (800) 526.2585

Headquarters/Eastern Distribution Center
44 Harbor Park Drive
Port Washington, NY 11050

Central Distribution Center
1600 Distribution Ct
Lithia Springs, GA 30122

Western Distribution Center
1750 Archibald Avenue
Ontario, CA 91760