

LUCK T-2443C

suspension

Date	Type
Project	
Location	
Model #	Quantity
Specifier	

Description

Metallic pendant with direct and indirect light.
 Transparent glass ball shade, diagonal opening on the bottom.
 Adjustable height. Can be used in sloped ceilings.

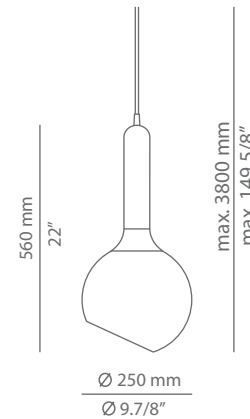


Pictures above might not show the specified dimensions or material. They are for illustration purposes only.

Ordering information

Code	Lamp
■ T-2443C	■ LED or Fluor. up to 26W / Medium base / 120V (not included) Dimmable when using dim. lamps ■ Hal. up to 100W / G40 / Medium base / 120V (not included) Dimmable

Finish	
■ 37 NI	Nickel
■ 27 WH	White
■ CUSTOM	



SPECIAL REQUIREMENTS

Custom versions

We offer custom plated or RAL finishes.

Alternate lamping and sizes available for projects.

Standard compositions bellow, other compositions available with multiple canopies. Consult our offices.

Special instructions

LUCK T-2443

suspension

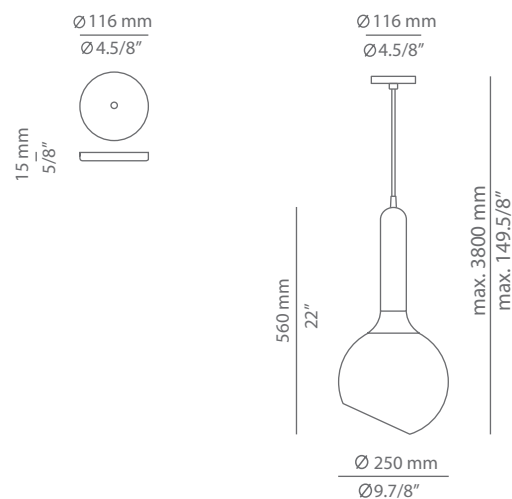
Date	Type
Project	
Location	
Model #	Quantity
Specifier	

Ordering information

Code	Lamp	Canopy	Finish
■ T-2443	■ LED or Fluor. up to 26W / Medium base / 120V (not included) Dimmable when using dim. lamps ■ Hal. up to 100W / G40 / Medium base / 120V (not included) Dimmable	■ 26 BLK Black ■ 71 WH White	■ 37 NI Nickel ■ 27 WH White ■ CUSTOM

Product includes

Code	Description
■ 113416XX0	■ 1 Canopy for 1 single pendant
■ T-2443C	■ 1 Luck pendant



SPECIAL REQUIREMENTS

Custom versions

We offer custom plated or RAL finishes.

Alternate lamping and sizes available for projects.

Standard compositions bellow, other compositions available with multiple canopies. Consult our offices.

Special instructions

LUCK T-2443C

suspension

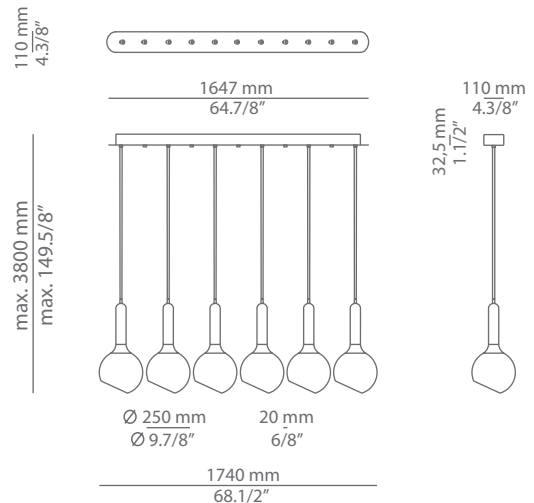
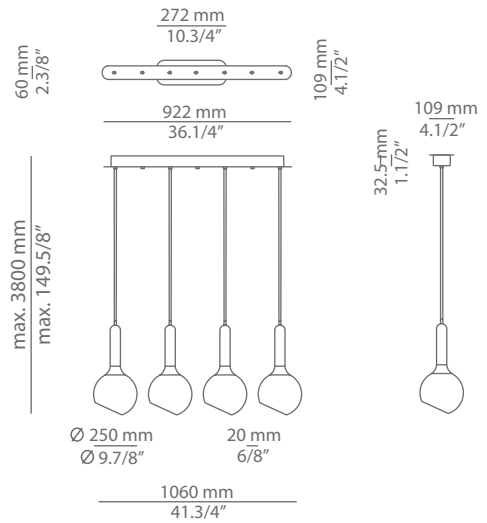
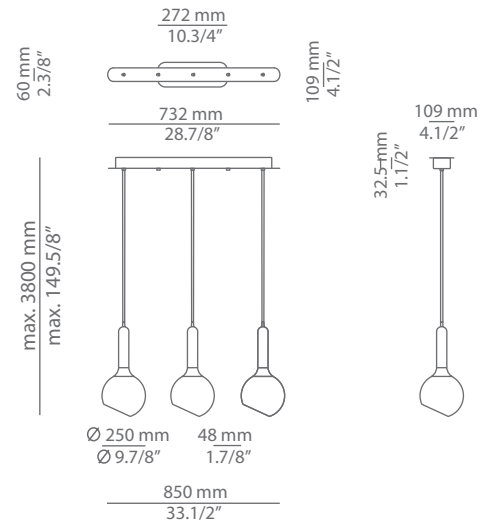
Date	Type
Project	
Location	
Model #	Quantity
Specifier	

Many possible configurations with T-2443C

Code	Composition includes				
L73.3 luck	<ul style="list-style-type: none"> 1 linear canopy 113415XX1 3 units of T-2443C 				
	<table border="0"> <tr> <td>Canopy</td> <td>Finish</td> </tr> <tr> <td> <ul style="list-style-type: none"> 26 BLK Black 71 WH White </td> <td> <ul style="list-style-type: none"> 37 NI Nickel 27 WH White CUSTOM </td> </tr> </table>	Canopy	Finish	<ul style="list-style-type: none"> 26 BLK Black 71 WH White 	<ul style="list-style-type: none"> 37 NI Nickel 27 WH White CUSTOM
Canopy	Finish				
<ul style="list-style-type: none"> 26 BLK Black 71 WH White 	<ul style="list-style-type: none"> 37 NI Nickel 27 WH White CUSTOM 				

Code	Composition includes				
L92.4 luck	<ul style="list-style-type: none"> 1 linear canopy 113415XX3U 4 units of T-2443C 				
	<table border="0"> <tr> <td>Canopy</td> <td>Finish</td> </tr> <tr> <td> <ul style="list-style-type: none"> 26 BLK Black 71 WH White </td> <td> <ul style="list-style-type: none"> 37 NI Nickel 27 WH White CUSTOM </td> </tr> </table>	Canopy	Finish	<ul style="list-style-type: none"> 26 BLK Black 71 WH White 	<ul style="list-style-type: none"> 37 NI Nickel 27 WH White CUSTOM
Canopy	Finish				
<ul style="list-style-type: none"> 26 BLK Black 71 WH White 	<ul style="list-style-type: none"> 37 NI Nickel 27 WH White CUSTOM 				

Code	Composition includes				
L165.6 luck	<ul style="list-style-type: none"> 1 linear canopy 113415XX7 6 units of T-2443C 				
	<table border="0"> <tr> <td>Canopy</td> <td>Finish</td> </tr> <tr> <td> <ul style="list-style-type: none"> 26 BLK Black 71 WH White </td> <td> <ul style="list-style-type: none"> 37 NI Nickel 27 WH White CUSTOM </td> </tr> </table>	Canopy	Finish	<ul style="list-style-type: none"> 26 BLK Black 71 WH White 	<ul style="list-style-type: none"> 37 NI Nickel 27 WH White CUSTOM
Canopy	Finish				
<ul style="list-style-type: none"> 26 BLK Black 71 WH White 	<ul style="list-style-type: none"> 37 NI Nickel 27 WH White CUSTOM 				

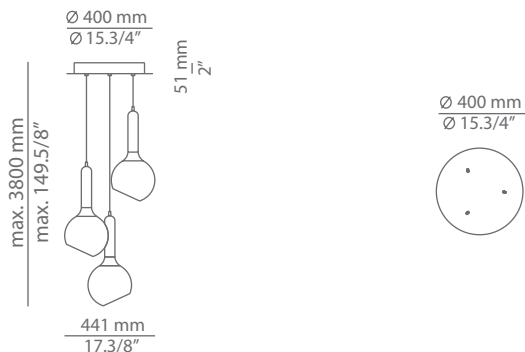


LUCK T-2443C

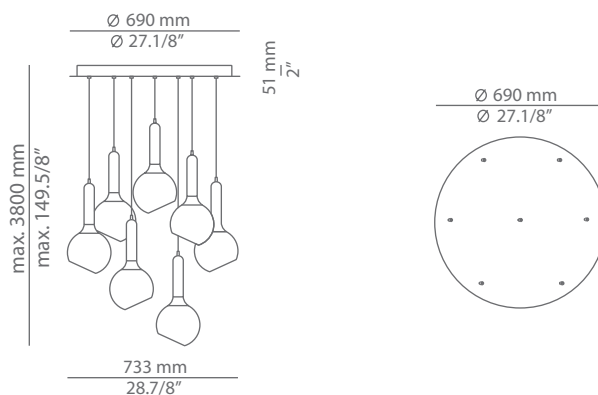
suspension

Date	Type
Project	
Location	
Model #	Quantity
Specifier	

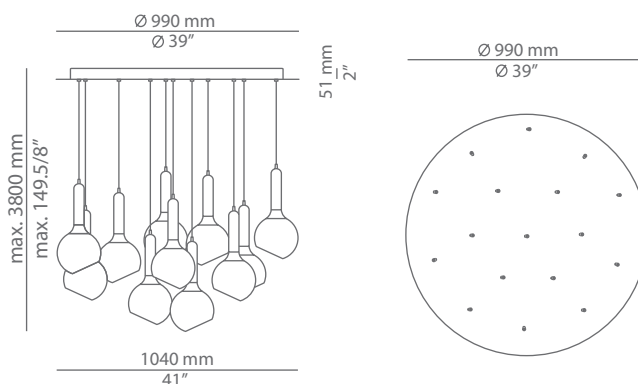
Code	Composition includes				
<ul style="list-style-type: none"> ■ R40.3 luck 	<ul style="list-style-type: none"> ■ 1 round canopy 113415XX6 ■ 3 units of T-2443C <table border="0" style="width: 100%;"> <tr> <td style="width: 50%;">Canopy</td> <td style="width: 50%;">Finish</td> </tr> <tr> <td> <ul style="list-style-type: none"> ■ 26 BLK Black ■ 71 WH White </td> <td> <ul style="list-style-type: none"> ■ 37 NI Nickel ■ 27 WH White ■ CUSTOM </td> </tr> </table>	Canopy	Finish	<ul style="list-style-type: none"> ■ 26 BLK Black ■ 71 WH White 	<ul style="list-style-type: none"> ■ 37 NI Nickel ■ 27 WH White ■ CUSTOM
Canopy	Finish				
<ul style="list-style-type: none"> ■ 26 BLK Black ■ 71 WH White 	<ul style="list-style-type: none"> ■ 37 NI Nickel ■ 27 WH White ■ CUSTOM 				



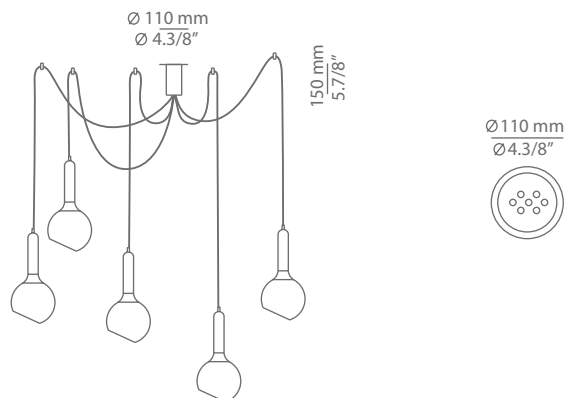
Code	Composition includes				
<ul style="list-style-type: none"> ■ R70.7 luck 	<ul style="list-style-type: none"> ■ 1 round canopy 113415XX4 ■ 7 units of T-2443C <table border="0" style="width: 100%;"> <tr> <td style="width: 50%;">Canopy</td> <td style="width: 50%;">Finish</td> </tr> <tr> <td> <ul style="list-style-type: none"> ■ 26 BLK Black ■ 71 WH White </td> <td> <ul style="list-style-type: none"> ■ 37 NI Nickel ■ 27 WH White ■ CUSTOM </td> </tr> </table>	Canopy	Finish	<ul style="list-style-type: none"> ■ 26 BLK Black ■ 71 WH White 	<ul style="list-style-type: none"> ■ 37 NI Nickel ■ 27 WH White ■ CUSTOM
Canopy	Finish				
<ul style="list-style-type: none"> ■ 26 BLK Black ■ 71 WH White 	<ul style="list-style-type: none"> ■ 37 NI Nickel ■ 27 WH White ■ CUSTOM 				



Code	Composition includes				
<ul style="list-style-type: none"> ■ R100.11 luck 	<ul style="list-style-type: none"> ■ 1 round canopy 113415XX5 ■ 11 units of T-2443C ■ Add up to 6 additional Luck <table border="0" style="width: 100%;"> <tr> <td style="width: 50%;">Canopy</td> <td style="width: 50%;">Finish</td> </tr> <tr> <td> <ul style="list-style-type: none"> ■ 26 BLK Black ■ 71 WH White </td> <td> <ul style="list-style-type: none"> ■ 37 NI Nickel ■ 27 WH White ■ CUSTOM </td> </tr> </table>	Canopy	Finish	<ul style="list-style-type: none"> ■ 26 BLK Black ■ 71 WH White 	<ul style="list-style-type: none"> ■ 37 NI Nickel ■ 27 WH White ■ CUSTOM
Canopy	Finish				
<ul style="list-style-type: none"> ■ 26 BLK Black ■ 71 WH White 	<ul style="list-style-type: none"> ■ 37 NI Nickel ■ 27 WH White ■ CUSTOM 				



Code	Composition includes				
<ul style="list-style-type: none"> ■ M5 luck 	<ul style="list-style-type: none"> ■ 1 multipoint canopy 113415XX2 ■ 5 units of T-2443C ■ 5 ceiling holders ■ Add up to 2 additional Luck <table border="0" style="width: 100%;"> <tr> <td style="width: 50%;">Canopy</td> <td style="width: 50%;">Finish</td> </tr> <tr> <td> <ul style="list-style-type: none"> ■ 26 BLK Black ■ 71 WH White </td> <td> <ul style="list-style-type: none"> ■ 37 NI Nickel ■ 27 WH White ■ CUSTOM </td> </tr> </table>	Canopy	Finish	<ul style="list-style-type: none"> ■ 26 BLK Black ■ 71 WH White 	<ul style="list-style-type: none"> ■ 37 NI Nickel ■ 27 WH White ■ CUSTOM
Canopy	Finish				
<ul style="list-style-type: none"> ■ 26 BLK Black ■ 71 WH White 	<ul style="list-style-type: none"> ■ 37 NI Nickel ■ 27 WH White ■ CUSTOM 				



ESTILUZ Inc. USA & CANADA
 330 West 38th St. Suite 710
 New York, NY 10018 USA
 T+1 (646) 454 - 1285
 F+1 (646) 454 - 1799

info@estiluzusa.com
 www.estiluzusa.com